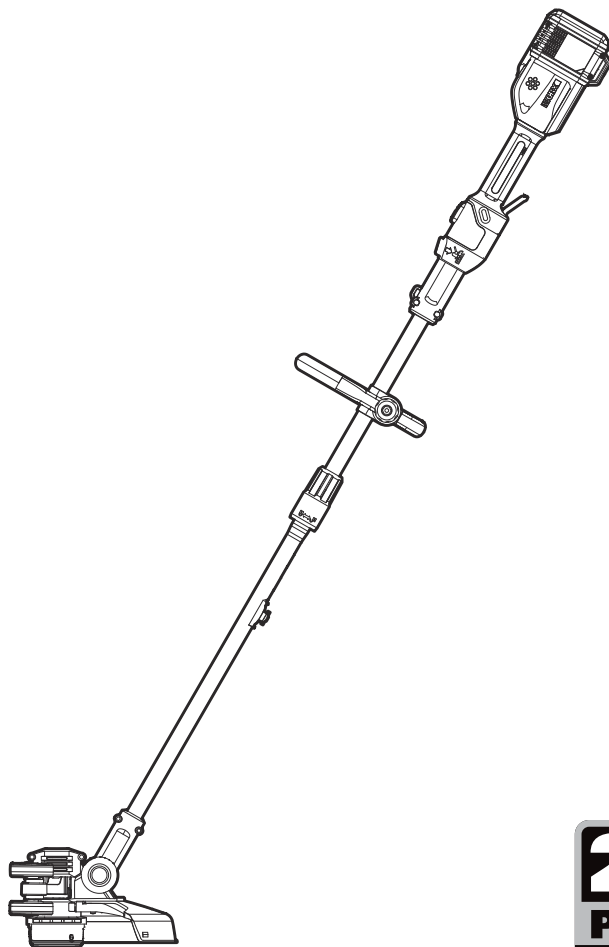


WORX®



2*20V/33cm Li Grass Trimmer/Edger

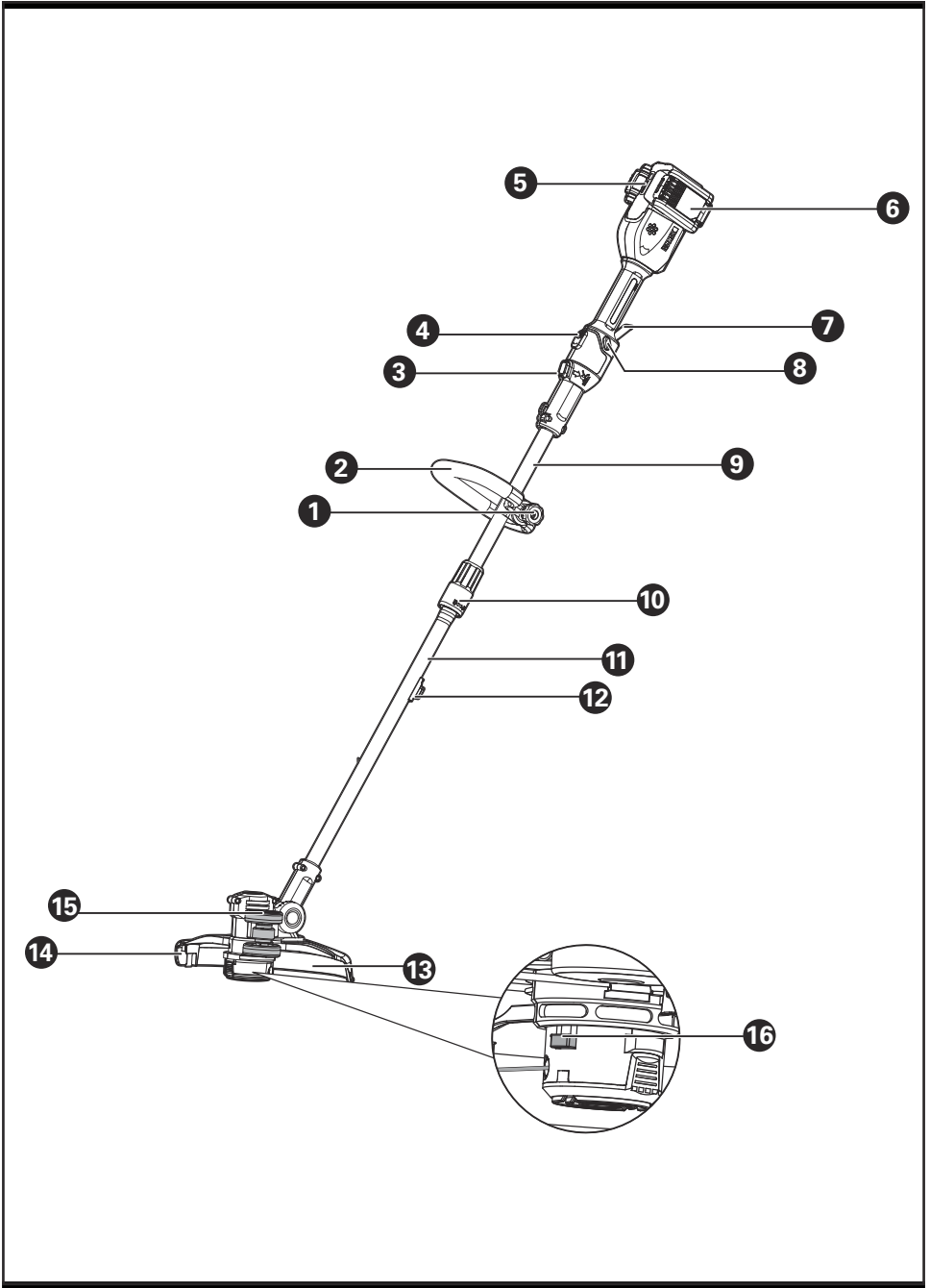
EN P09

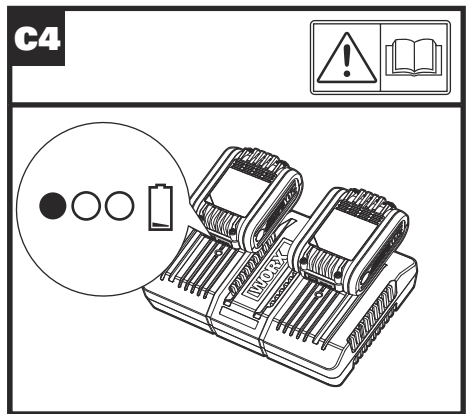
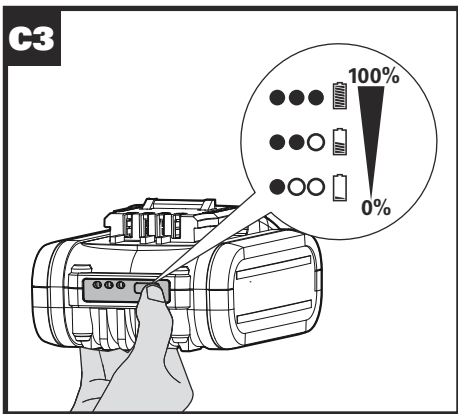
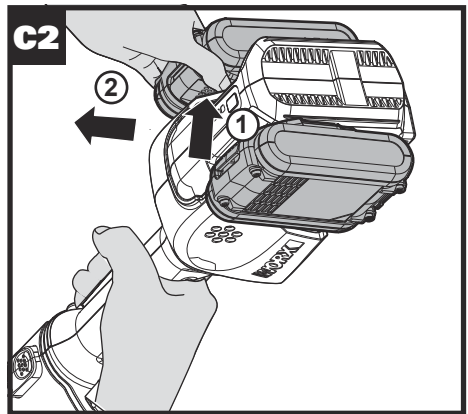
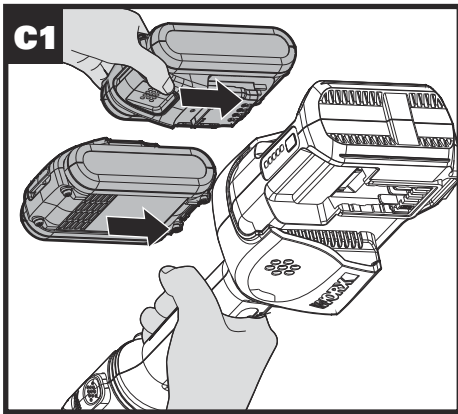
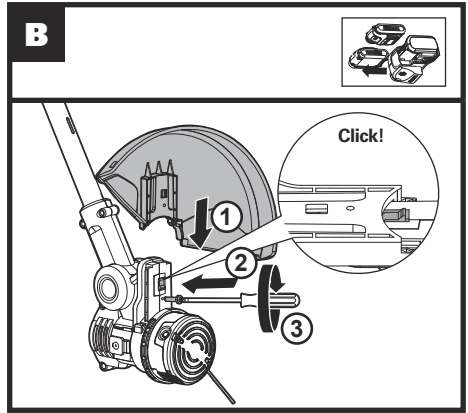
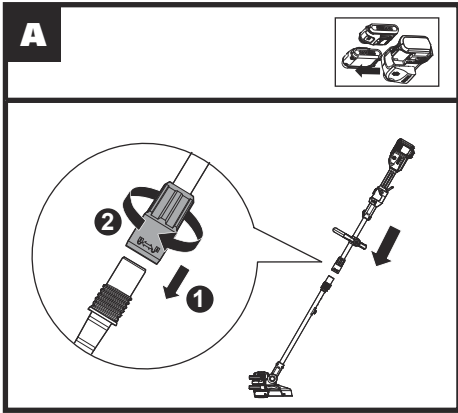
Электрокосилка 2*20В/33см

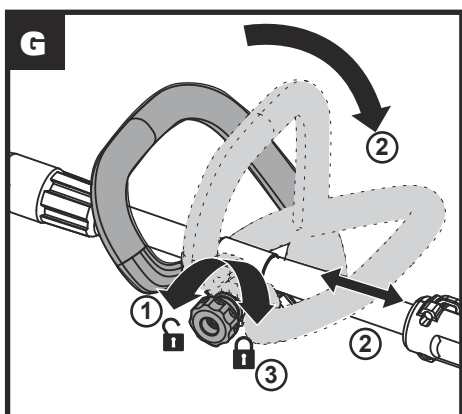
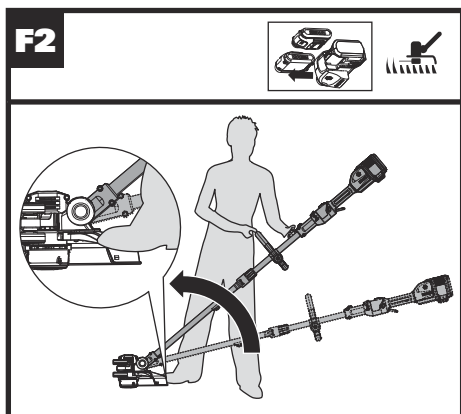
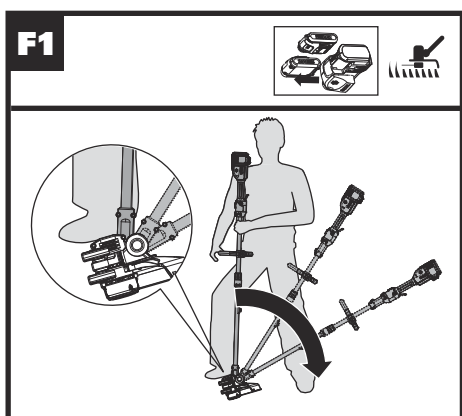
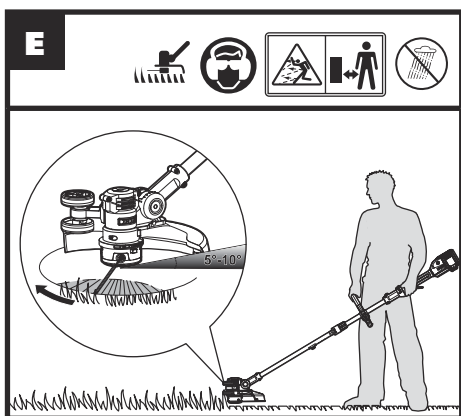
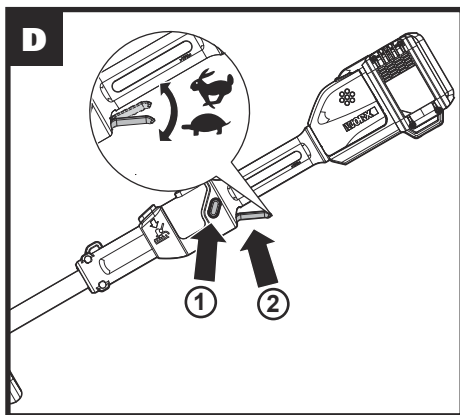
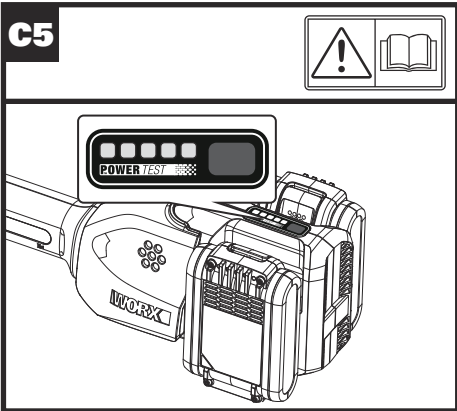
RU P16

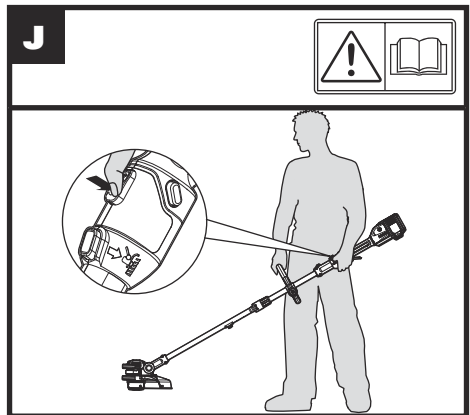
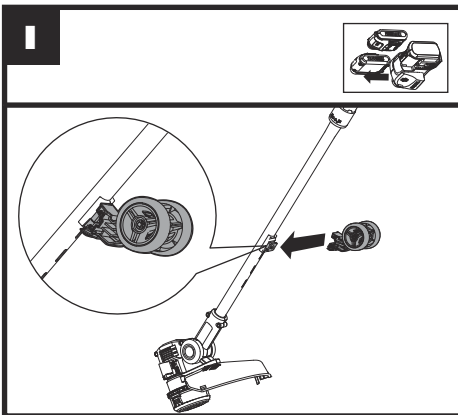
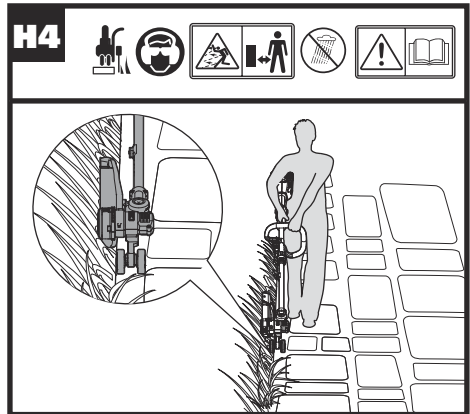
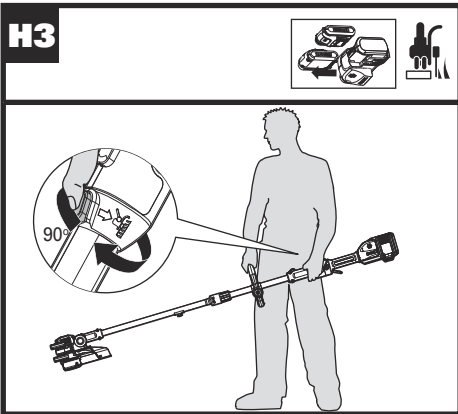
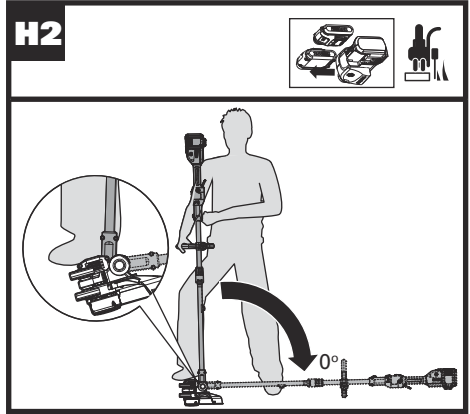
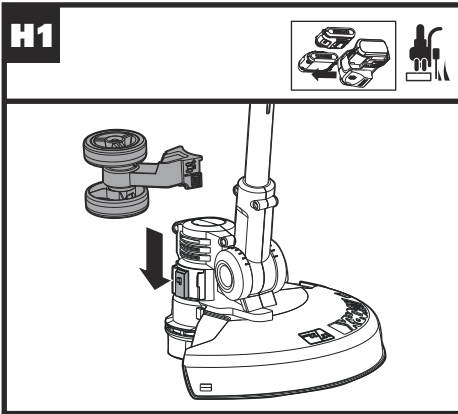
WG184E WG184E.9

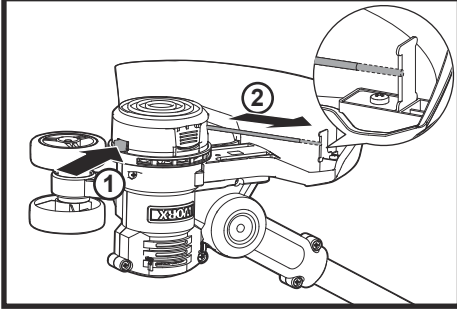
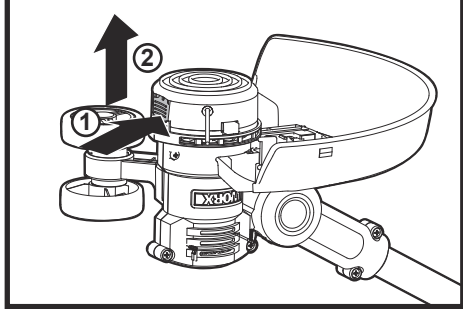
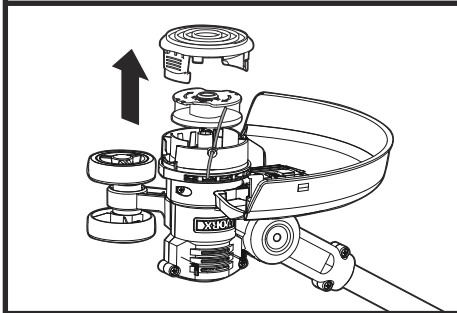
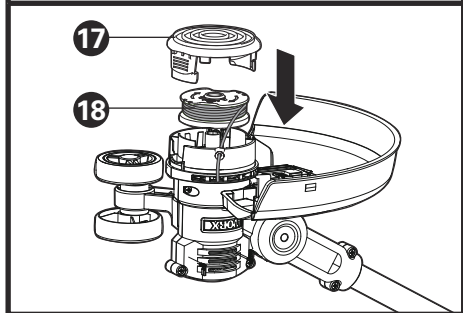
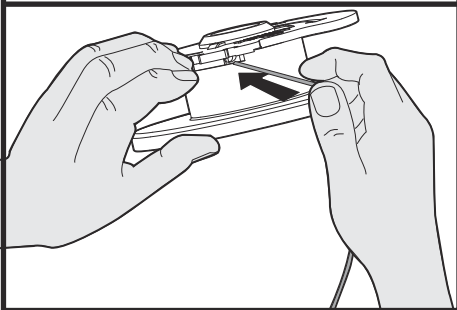
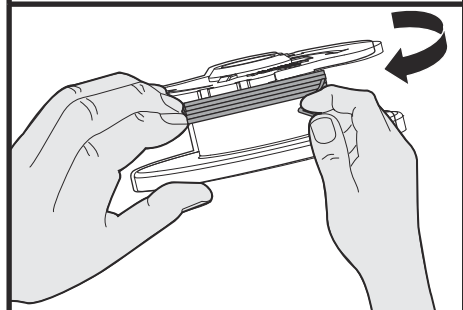
Original instructions	EN
Перевод оригинальных инструкций	RU

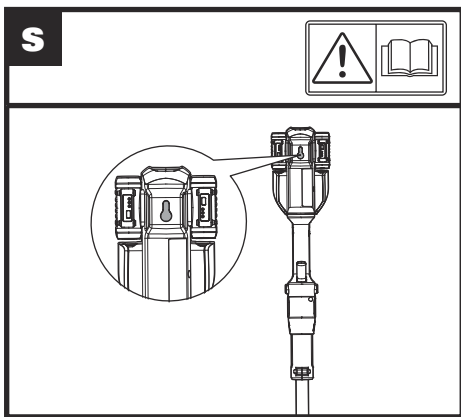
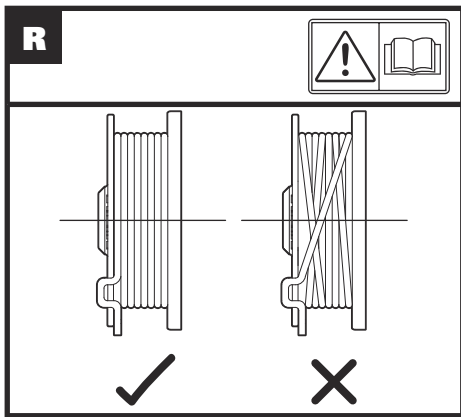
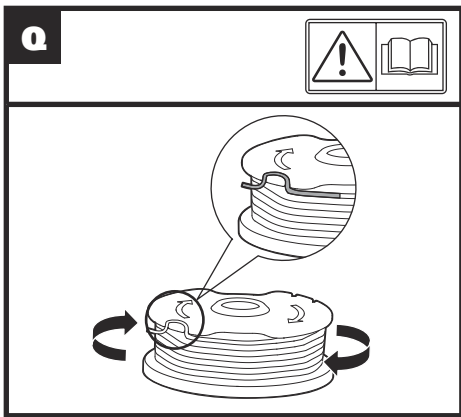








K**L****M****N****O****P**



PRODUCT SAFETY

GENERAL SAFETY WARNINGS



WARNING: Read all safety warnings and all instructions. Failure to follow the warnings and instructions may result in electric shock, fire and/or serious injury.

Save all warnings and instructions for future reference.

The appliance is only to be used with the power supply unit provided with the appliance.

IMPORTANT READ CAREFULLY BEFORE USE KEEP FOR FUTURE REFERENCE

Safe operating practices

1. Training

- Read the instructions carefully. Be familiar with the controls and the correct use of the machine.
- Never allow children, persons with reduced physical, sensory or mental capabilities or lack of experience and knowledge or people unfamiliar with these instructions to use the machine, local regulations may restrict the age of the operator.
- Keep in mind that the operator or user is responsible for accidents or hazards occurring to other people or their property.

2. Preparation

- Before use, always visually inspect the machine for damaged, missing or misplaced guards or shields.
- Never operate the machine while people, especially children, or pets are nearby.

3. Operation

- Wear eye protection, long trousers and stout shoes at all times while operating the machine.
- Avoid using the machine in bad weather conditions especially when there is a risk of lightning.
- Use the machine only in daylight or good artificial light.
- Never operate the machine with damaged guards or shields or without guards or shields in place.
- Switch on the motor only when the hands and feet are away from the cutting means.
- Always disconnect the machine from the power supply (e.g. remove the battery pack from the machine)
 - whenever the machine is left unattended;
 - before clearing a blockage;
 - before checking, cleaning or working on the machine;
 - after striking a foreign object;
 - whenever the machine starts vibrating abnormally.
- Take care against injury to feet and hands from the cutting means. h) Always ensure that the ventilation openings are kept clear of debris.

- Never fit metal cutting elements.
- Always be sure of your footing on slopes.
- Walk, never run.
- Not overreach and keep the balance at all times.
- Not to touch moving hazardous parts before removing the battery pack from the machine and the moving hazardous parts have come to a complete stop.

4. Maintenance and storage














- Disconnect the machine from the power supply (e.g. remove the battery pack from the machine) before carrying out maintenance or cleaning work.
- Use only the manufacturer's recommended replacement parts and accessories.
- Inspect and maintain the machine regularly. Have the machine repaired only by an authorized repairer.
- When not in use, store the machine out of the reach of children.

SAFETY WARNINGS FOR BATTERY PACK

- Do not dismantle, open or shred cells or battery pack.**
- Do not short-circuit a battery pack. Do not store battery packs haphazardly in a box or drawer where they may short-circuit each other or be short-circuited by conductive materials.** When battery pack is not in use, keep it away from other metal objects, like paper clips, coins, keys, nails, screws or other small metal objects, that can make a connection from one terminal to another. Shorting the battery terminals together may cause burns or a fire.
- Do not expose battery pack to heat or fire. Avoid storage in direct sunlight.**
- Do not subject battery pack to mechanical shock.**
- In the event of battery leaking, do not allow the liquid to come into contact with the skin or eyes. If contact has been made, wash the affected area with copious amounts of water and seek medical advice.**
- Seek medical advice immediately if a cell or battery pack has been swallowed.**
- Keep battery pack clean and dry.**
- Wipe the battery pack terminals with a clean dry cloth if they become dirty.**
- Battery pack needs to be charged before use. Always refer to this instruction and use the correct charging procedure.**
- Do not maintain battery pack on charge when not in use.**
- After extended periods of storage, it may be necessary to charge and discharge the battery pack several times to obtain maximum performance.**
- Battery pack gives its best performance**

when it is operated at normal room temperature (20°C ± 5°C).

- m) **When disposing of battery packs, keep battery packs of different electrochemical systems separate from each other.**
- n) **Recharge only with the charger specified by WORX. Do not use any charger other than that specifically provided for use with the equipment.** A charger that is suitable for one type of battery pack may create a risk of fire when used with another battery pack.
- o) **Do not use any battery pack which is not designed for use with the equipment.**
- p) **Keep battery pack out of the reach of children.**
- q) **Retain the original product literature for future reference.**
- r) **Remove the battery from the equipment when not in use.**
- s) **Dispose of properly.**

 Li-Ion 	<p>Do not dispose of batteries. Return exhausted batteries to your local collection or recycling point.</p>
	<p>Do not expose to rain or water</p>
	<p>Do not burn</p>
	<p>Make sure the battery is removed prior to changing accessories.</p>
	<p>Trimming</p>
	<p>Edging</p>
	<p>Lock</p>
	<p>Unlock</p>
	<p>High speed</p>
	<p>Low speed</p>
	<p>Correct</p>
	<p>Incorrect</p>

SYMBOLS

	<p>Read operator's manual</p>
	<p>Keep bystanders away</p>
	<p>Wear eye and ear protection</p>
	<p>Do not expose to rain</p>
	<p>Waste electrical products must not be disposed of with household waste. Please recycle where facilities exist. Check with your local authorities or retailer for recycling advice.</p>

- 1. HANDLE ADJUSTMENT KNOB**
- 2. AUXILIARY HANDLE**
- 3. UPPER SHAFT ROTATION BUTTON**
- 4. COMMAND FEED BUTTON**
- 5. BATTERY INDICATOR LIGHT**
- 6. BATTERY PACK ***
- 7. ON/OFF SWITCH**
- 8. LOCK OFF SWITCH**
- 9. UPPER SHAFT**
- 10. LOCKING COLLAR**
- 11. LOWER SHAFT**
- 12. WHEEL STORAGE POSITION**
- 13. SAFETY GUARD**
- 14. LINE CUTTER**
- 15. EDGER WHEELS**
- 16. LINE FEED BUTTON**
- 17. SPOOL CAP (SEE FIG. N)**
- 18. SPOOL (SEE FIG. N)**

* Not all the accessories illustrated or described are included in standard delivery.

TECHNICAL DATA

	WG184E	WG184E.9
Voltage	40V MAX (2x20V MAX) *	
Cutting Diameter	33cm	
Line Diameter	2mm	
Battery type	Lithium-ion	/
Battery Model	WA3551 (2.0Ah)	/
Charger Model	WA3876	/
Charger rating	Input: 100-240V~50/60Hz, 100W Output: 20V ---, 4.0A	/
Charging time (approx.) Battery pack: 2.0Ah (1pc) 2.0Ah (2pcs)	60min. 60min.	/
Machine Weight	3.9kg	3.1kg


*Voltage measured without workload. Initial battery voltage reaches maximum of 20 volts. Nominal voltage is 18 volts.

ACCESSORIES

	WG184E	WG184E.9
Battery pack (WA3551)	2	/
Charger (WA3876)	1	/
Spool (WA0014)	1	1
Safety guard	1	1
Edger wheels	1	1

We recommend that you purchase your accessories listed in the above list from the same store that sold you the lawn trimmer. Refer to the accessory packaging for further details. Store personnel can assist you and offer advice.

NOISE DATA

A weighted sound pressure	$L_{pA} = 78 \text{ dB(A)}$
K_{pA}	3 dB(A)
A weighted sound power	$L_{wA} = 95.4 \text{ dB(A)}$
K_{wA}	3 dB(A)
Wear ear protection	

11

VIBRATION INFORMATION

Typical weighted vibration	$a_h < 4 \text{ m/s}^2$
Uncertainty	$K = 1.5 \text{ m/s}^2$

The declared vibration total value may be used for comparing one tool with another, and may also be used in a preliminary assessment of exposure.

! WARNING! The vibration emission value during actual use of the power tool can differ from the declared value depending on the ways in which the tool is used dependant on the following examples and other variations on how the tool is used: How the tool is used and the materials being cut or drilled.
The tool being in good condition and well maintained.
The use the correct accessory for the tool and ensuring it is sharp and in good condition.
The tightness of the grip on the handles and if any anti vibration accessories are used.

And the tool is being used as intended by its design and these instructions.

This tool may cause hand-arm vibration syndrome if its use is not adequately managed.

⚠ WARNING! To be accurate, an estimation of exposure level in the actual conditions of use should also take account of all parts of the operating cycle such as the times when the tool is switched off and when it is running idle but not actually doing the job. This may significantly reduce the exposure level over the total working period.
 Helping to minimise your vibration exposure risk. ALWAYS use sharp chisels, drills and blades. Maintain this tool in accordance with these instructions and keep well lubricated (where appropriate). If the tool is to be used regularly then invest in anti vibration accessories.
 Plan your work schedule to spread any high vibration tool use across a number of days.

ASSEMBLY & OPERATION

Action	Figure
Assembly	
Assembling the Main Handle	See Fig. A
Assembling the Safety Guard	See Fig. B
12 Installing and Removing the Battery Pack NOTE: • This machine will only run when 2 batteries are installed. It is recommended to use the same two batteries and charge the two batteries at the same time. • Using two different sized batteries or if one battery isn't fully charged then the machine will only run to the lowest common denominator.	See Fig. C1, C2
Checking the battery charge condition NOTE: Fig. C3 only applies for the battery pack with battery indicator light.	See Fig. C3
Charging the battery pack NOTE: • The batteries are shipped uncharged. Each battery must be fully charged before the first use. • Always fully charge the two batteries at same time. More details can be found in charger's manual.	See Fig. C4
Battery power indicator on the machine See details in BATTERY STATUS section	See Fig. C5
Operation	

On/Off Switch ⚠ Warning! The cutting head continues to rotate after the trimmer has been switched off; wait until it has completely stopped then lay down the tool.	See Fig. D
Trimming	See Fig. E
-Adjusting the Trimmer Head	See Fig. F1, F2
-Adjusting the Auxiliary handle	See Fig. G
Edging	See Fig. H1-H4
-Edger wheel storage	See Fig. I
Command feeding the line	See Fig. J
Manually feeding the line	See Fig. K
Replacing the trimmer line and spool	See Fig. L, M, N
Manually winding the line	See Fig. O, P, Q, R

BATTERY STATUS (See Fig. C5)

Before starting or after use, press the button beside the power indicator light on the machine to check the battery capacity. The indicator lights displays the battery condition as follows:

Battery power indicator status	Battery condition
Five green lights (■ ■ ■ ■ ■) are illuminated.	The two batteries are in a highly charged condition.
Two, three or four green lights are illuminated.	The two batteries have a remaining charge. The more lights are illuminated, the more battery capacity.
Only one green light (■ □ □ □ □) is illuminated.	At least one battery is depleted and needs to be charged.
No light is illuminated.	At least one battery is not fully installed or battery may be defective.
Only one light is flashing twice per cycle.	At least one battery is over discharged (please refer to the battery charge condition), please recharge the two batteries at once before use again or storage.
Only one light is flashing three times per cycle.	At least one battery is hot, wait for them cool down before start again.
Only one light is flashing four times per cycle.	The machine is over load. Raise the cutting height or push slowly.

OPERATION INSTRUCTIONS



WARNING! The charger and battery pack are specially designed to work together so do not attempt to use any other devices. Never insert or allow metallic objects into your charger or battery pack connections because of an electrical failure and hazard will occur.

1. COMMAND FEEDING THE LINE

(See Fig. J)

Your grass trimmer is equipped with a Command Feed System. Just press the button while the machine is running, new line will feed out and then stop when you hear the 'clattering' noise of the new line being cut. The motor stops briefly when the Command Feed button is pressed, and restarts when released. This process enables the machine to automatically feed out new line.

2. MANUALLY FEEDING THE LINE

(See Fig. K)

Turn off the trimmer and remove the battery. If required, line can be fed out manually. To operate, press and release manual Line Feed Button, while gently pulling out the line until it is long enough to reach the Line Cutter. If the line extends past the Line Cutter, too much line has been fed out. If too much line is fed out, remove the Spool Cap and turn Spool counter-clockwise until the line is at the desired length.

3. MANUALLY WINDING THE LINE

(See Fig. O, P, Q, R)

Take approximately 20ft (6m) of line. Insert 0.080 inches (2mm) of line into the Spool holes and wind line in the direction of the arrows on the top of the Spool. Leave approximately 4 inches (100mm) of line unwound and place into the cleat. Ensure that the line is neatly coiled on the Spool. Failure to do so will impair the efficiency of the automatic line feed. Then fit the Spool as described above in "Replacing the trimmer line and Spool"

STORING YOUR GRASS TRIMMER



Always remove the battery pack from your trimmer after use.

TO STORE YOUR GRASS TRIMMER

The trimmer is provided with a hanging slot for storing the trimmer on the wall. (See Fig. S)
Store in a dry place where the trimmer and battery can be protected from damage.

MAINTENANCE



Always remove the battery pack from your trimmer after use.

Always check the product prior to being used for any damage.

After use, disconnect the battery from the tool and check for damage.

Your power tool requires no additional lubrication or maintenance. There are no user serviceable parts in your power tool. Never use water or chemical cleaners to clean your power tool. Wipe clean with a dry cloth. Always store your power tool in a dry room temperature location. Keep the motor ventilation slots clean. Keep all working controls free of dust.

TROUBLESHOOTING

The following table gives problems and actions that you can perform if your machine does not operate correctly.



WARNING: Switch the machine off and remove the battery prior to any troubleshooting.

Problems	Possible Causes	Corrective Action
Trimmer fails to operate.	Battery discharged. Battery too hot/cold. Motor is broken. Internal wiring of machine damaged.	Recharge battery; also see the content in charger manual Allow to cool/warm. Contact Service Agent. Contact Service Agent.
Trimmer runs intermittently.	Motor is broken. Battery not fully charged. On/Off switch defective.	Contact Service Agent. Recharge battery. Contact Service Agent.
Excessive vibrations/noise.	Machine defective. Line spool is not wound well.	Contact Service Agent. Rewind the line. See "To fit spool and line assembly."
Cutting time per battery charge too short.	Battery has not been used for long period or only charged for short term. Grass too high. Battery defective.	Fully charge battery; also see the content in charger manual Cut in stages. Replace the battery.
Machine does not cut.	Line broken. Battery not fully charged. Motor is broken (speed is too low). Grass entangled around cutting head.	Replace the line Recharge battery; also see the content in charger manual Contact Service Agent. Remove grass.
Continuous lighting of the battery charge indicator. No charging procedure possible.	Battery not (properly) inserted. Battery contacts contaminated. Battery defective.	Properly insert battery into battery charger. Clean the battery contacts or replace the battery. Replace the battery.
Battery charge indicator does not light up.	Plug of battery charger not plugged in (properly). Socket outlet, mains cable or battery charger defective.	Insert mains plug (fully) into the socket outlet. Check the mains voltage; have the battery charger checked by an authorized after-sales service agent.
Command feed does not work	Cutting line is not wound well. The line is tangled. Line is used up.	Manually feed the line, if still can not feed out, remove the Spool out and rewind the line. Replace with a new spool of line.

ENVIRONMENTAL PROTECTION



Waste electrical products must not be disposed of with household waste. Please recycle where facilities exist. Check with your local authorities or retailer for recycling advice.

DECLARATION OF CONFORMITY

We,
POSITEC Germany GmbH
Grüner Weg 10, 50825 Cologne, Germany

Declare that the product
Description **Cordless Grass Trimmer**
Type **WG184E WG184E.9 (1-designation of machinery, representative of Cordless Grass Trimmer)**
Function **Cutting grass and similar soft vegetation and for trimming grass edges**

Complies with the following Directives:
2006/42/EC, 2014/30/EU, 2011/65/EU, 2000/14/EC amended by 2005/88/EC

2000/14/EC amended by 2005/88/EC:

- Conformity Assessment Procedure as per **Annex V**
- Measured Sound Power Level **95.4 dB (A)**
- Declared Guaranteed Sound Power Level **96 dB(A)**

The notified body involved

Name: Intertek Testing & Certification Ltd (notified body 0359)
Address: Davy Avenue, Knowlhill, Milton Keynes, MK5 8NL

Standards conform to

EN 60335-1, EN 50636-2-91, EN 62233, EN ISO 3744, EN 55014-1, EN 55014-2

The person authorized to compile the technical file,

Name Marcel Filz
Address Positec Germany GmbH
Grüner Weg 10, 50825 Cologne, Germany



2018/01/10

Allen Ding
Deputy Chief Engineer, Testing & Certification
Positec Technology (China) Co., Ltd
18, Dongwang Road, Suzhou Industrial
Park, Jiangsu 215123, P. R. China

БЕЗОПАСНОСТЬ ПРОДУКТА ОБЩИЕ ПРЕДУПРЕЖДЕНИЯ О БЕЗОПАСНОСТИ



ПРЕДУПРЕЖДЕНИЕ Прочтите все

предупреждения о безопасности и все инструкции. Несоблюдение предупреждений и инструкций может привести к поражению электрическим током, пожару и / или серьезной травме.

Сохраните все предупреждения и инструкции для дальнейшего использования.

Прибор должен использоваться только с блоком питания, поставляемым с прибором.

ВАЖНО ПРОЧТИТЕ ВНИМАТЕЛЬНО ПЕРЕД ИСПОЛЬЗОВАНИЕМ

Сохраните для будущей справки

Безопасная эксплуатация

1. Обучение

- a) Внимательно прочитайте инструкции. Ознакомьтесь с элементами управления и правильным использованием машины.
- b) Никогда не позволяйте детям, лицам с ограниченными физическими и умственными способностями или отсутствию опыта и знаний или незнакомым с этими инструкциями людям использовать машину, местные правила могут ограничивать возраст оператора.
- c) Имейте в виду, что оператор или пользователь несет ответственность за несчастные случаи в отношении людей и имущества.

2. Подготовка

- a) Перед использованием всегда визуально проверяйте машину на наличие поврежденных, отсутствующих или неправильно установленных защитных ограждений или экранов.
- b) Никогда не работайте с машиной, пока поблизости находятся люди, особенно дети или домашние животные.

3. Эксплуатация

- a) Во время работы машины всегда надевайте защитные очки, длинные брюки и крепкую обувь.
- b) Избегайте использования машины в плохих погодных условиях, особенно когда существует опасность молнии.
- c) Используйте машину только при дневном свете или в хорошем искусственном освещении.
- d) Никогда не эксплуатируйте машину с поврежденными ограждениями или без защитных ограждений или экранов.
- e) Включайте двигатель только тогда, когда руки и

- f) ноги находятся вдали от режущего средства. Всегда отсоединяйте устройство от источника питания (например, извлеките аккумулятор из устройства) :
 - 1) всякий раз, когда машина остается без присмотра;
 - 2) перед очисткой засоров;
 - 3) перед проверкой, очисткой или работой на машине;
 - 4) после удара о посторонний предмет;
 - 5) всякий раз, когда машина начинает странно вибрировать.
- g) Следите за тем, чтобы ноги и руки были на безопасном расстоянии от режущих ножей.
- h) Всегда следите за тем, чтобы вентиляционные отверстия были очищены от мусора.
- i) Никогда не устанавливайте металлические лезвия.
- j) Всегда будьте уверены в своей устойчивости на склонах.
- k) При работе ходите, не бегайте.
- l) Держите равновесие все время.
- m) Не прикасайтесь к движущимся и вращающимся опасным частям до извлечения аккумуляторной батареи из устройства, дождитесь полной остановки подобных частей.

4. Техническое обслуживание и хранение

- a) Перед выполнением работ по техническому обслуживанию или очистке отключите устройство от источника питания (например, извлеките аккумуляторную батарею из аппарата).
- b) Используйте только рекомендованные производителем запасные части и принадлежности.
- c) Регулярно проверяйте и обслуживайте машину. Ремонтировать машину должен только квалифицированный персонал.
- d) Не допускайте, чтобы устройство не использовалось, храните в недоступном для детей месте.

ПРЕДУПРЕЖДЕНИЯ БЕЗОПАСНОСТИ ДЛЯ АККУМУЛЯТОРНОЙ БАТАРЕИ

- a) **Не разбирайте, не открывайте ячейки или батарейный блок.**
- b) **Не замыкайте аккумуляторную батарею. Не храните беспорядочно аккумуляторы в коробке или ящике, где они могут замыкаться друг с другом или быть закорочены проводящими материалами.** Когда аккумулятор не используется, держите его подальше от других металлических предметов, таких как скрепки, монеты, ключи, гвозди, винты или другие мелкие металлические предметы, которые могут замкнуть контакты. Замыкание контактов аккумулятора может привести к ожогам или пожару.

- c) **Не подвергайте аккумуляторную батарею воздействию тепла или огня. Избегайте попадания прямых солнечных лучей.**
- d) **Не подвергайте аккумуляторную батарею механическим ударам.**
- e) **В случае протекания батареи не допускайте контакта жидкости с кожей или глазами. Если жидкость контактировала с телом, промойте пораженный участок обильным количеством воды и обратитесь за медицинской помощью.**
- f) **Немедленно обратитесь за медицинской помощью, если часть батареи была проглочена.**
- g) **Держите аккумулятор в чистоте и сухом состоянии.**
- h) **Протрите клеммы аккумуляторной батареи чистой сухой тканью, если они загрязнились.**
- i) **Перед использованием батареи ее необходимо зарядить. Всегда обращайтесь к этой инструкции и используйте правильную процедуру зарядки.**
- j) **Не храните аккумулятор в зарядном устройстве, когда он не используется.**
- k) **После продолжительных периодов хранения может потребоваться несколько раз зарядить и разрядить аккумуляторную батарею, чтобы получить максимальную производительность.**
- л) **Аккумулятор обеспечивает максимальную производительность при работе при нормальной комнатной температуре ($20^{\circ}\text{C} \pm 5^{\circ}\text{C}$).**
- m) **При утилизации аккумуляторных батарей держите батарейки разных электрохимических составляющих отдельно друг от друга.**
- n) **Перезаряжайте только зарядным устройством, одобренным WORX. Не используйте зарядное устройство, отличное от того, которое специально предназначено для использования с оборудованием. Зарядное устройство, подходящее для батарей одного типа, может привести к пожару при использовании с другим аккумулятором.**
- o) **Не используйте батарейный блок, который не предназначен для использования с оборудованием.**
- p) **Храните аккумулятор в недоступном для детей месте.**
- q) **Сохраните оригинальную литературу по продуктам для дальнейшего использования.**
- r) **Извлеките аккумулятор из оборудования, если он не используется.**
- s) **Утилизируйте надлежащим образом.**

ПРЕДУПРЕЖДАЮЩИЕ ЗНАКИ

	Прочтите руководство оператора
	Держите посторонних лиц вдали
	Носите защиту для глаз и ушей
	Не подвергайте воздействию дождя
	Отходы электротехнических изделий нельзя утилизировать с бытовыми отходами. Пожалуйста, утилизируйте их в специализированных местах. Проконсультируйтесь с местными органами власти или розничной торговли.
	Не выбрасывайте батареи. Возвратите израсходованные батареи в местную коллекцию или пункт утилизации.
	Не подвергать воздействию дождя или воды
	Не сжигать
	Перед заменой частей убедитесь, что аккумулятор снят.

	Кошение
	Подравнивание
	Заблокировано
	Разблокировано
	Высокая скорость
	Низкая скорость
	Верно
	Неверно

1. РЕГУЛИРОВКА РУЧКИ
2. ВСПОМОГАТЕЛЬНАЯ РУКОЯТКА
3. КНОПКА ВРАЩЕНИЯ ВЕРХНЕГО ВАЛА
4. КНОПКА ДИСТАНЦИОННОЙ ПОДАЧИ ЛЕСКИ
5. ИНДИКАТОР БАТАРЕИ
6. АККУМУЛЯТОР *
7. ВКЛЮЧЕНИЕ / ВЫКЛЮЧЕНИЕ
8. ЗАБЛОКИРОВАТЬ ВЫКЛЮЧАТЕЛЬ
9. ВЕРХНИЙ ВАЛ
10. ФИКСИРУЮЩИЙ СОЕДИНИТЕЛЬ
11. НИЖНИЙ ВАЛ
12. ПОЛОЖЕНИЕ ДЛЯ ХРАНЕНИЯ КОЛЕС
13. ЗАЩИТНЫЙ КОЖУХ
14. РЕЖУЩАЯ ЛЕСКА
15. КОЛЕСА ПОДРАВНИВАТЕЛЯ
16. КНОПКА ПОДАЧИ НИТИ
17. КРЫШКА КАТУШКИ (СМ. РИСУНОК N)
18. КАТУШКА (СМ. РИСУНОК N)

* Не все аксессуары, показанные или описанные, включены в стандартный комплект.

ТЕХНИЧЕСКИЕ ДАННЫЕ

	WG184E	WG184E.9
Напряжение	40V MAX (2x20V MAX) *	
Режущий диаметр	33cm	
Диаметр нити	2mm	
Тип аккумулятора	Литий-ионный	/
Модель аккумулятора	WA3551 (2.0A*Ч)	/
Модель зарядного устройства	WA3876	/
Рейтинг зарядного устройства	Вход: 100-240В ~50/60Hz, 100Вт Выход: 20В $\overline{\text{---}}$, 4,0A*Ч	/

Время зарядки Батарея: 2.0Ah (1pc) 2.0Ah (2pcs)	60min. 60min.	/
Вес	3.9kg	3.1kg


***Напряжение измеряется без нагрузки. Начальное напряжение батареи достигает максимума 40 вольт. Номинальное напряжение составляет 36 вольт.**

АКСЕССУАРЫ

	WG184E	WG184E.9
Батарея (WA3551)	2	/
Зарядное ус-во (WA3876)	1	/
Катушка(WA0014)	1	1
Защита	1	1
Колеса подравнителя	1	1

Мы рекомендуем вам приобрести аксессуары, перечисленные в приведенном выше списке, в том же магазине, где вам продали электрокосилку. Для получения дополнительной информации см. на упаковку. Сотрудники магазина могут помочь вам и дать совет.

ДАННЫЕ О ШУМЕ

Условное звуковое давление	$L_{pA} = 78 \text{ dB(A)}$
K_{pA}	3 dB(A)
Удельная мощность звука	$L_{wA} = 95.4 \text{ dB(A)}$
K_{wA}	3 dB(A)
Носите защиту для ушей	

ИНФОРМАЦИЯ О ВИБРАЦИИ

Типичная вибрация	$a_h < 4 \text{ m/s}^2$
Погрешность	$K = 1.5 \text{ m/s}^2$

Заявленное значение вибрации может использоваться для сравнения одного инструмента с другим

⚠ ПРЕДУПРЕЖДЕНИЕ. Значение вибрации при фактическом использовании электроинструмента может отличаться от заявленного значения в зависимости от того, как инструмент используется: Как используется инструмент
Инструмент находится в хорошем состоянии и ухожен
Используйте правильный аксессуар для инструмента и убедитесь, что он острый и в хорошем состоянии.
Плотность захвата на ручках при использовании любых антивибрационных аксессуаров.
Инструмент используется в соответствии с его конструкцией и этими инструкциями.

Этот инструмент может вызвать синдром вибрации руки, если его использование недостаточно эффективно.

⚠ ПРЕДУПРЕЖДЕНИЕ. Чтобы быть точным, оценка уровня воздействия в реальных условиях использования должна также учитывать все части рабочего цикла, такие как время, когда инструмент выключен и когда он работает на холостом ходу, но не выполняет работу. Это может значительно снизить уровень воздействия за весь рабочий период и помогает минимизировать риск вибрации.
Обслуживайте этот инструмент в соответствии с этими инструкциями и хорошо смазывайте (при необходимости)
Если инструмент следует использовать регулярно, то приобретите антивибрационные аксессуары.

СБОРКА И ЭКСПЛУАТАЦИЯ

Действие	Рисунок
Сборка	
Сборка главной рукоятки	A
Сборка защиты	B
Установка и снятие батареи Примечание: • Эта машина будет работать только при установке 2 батарей. Рекомендуется использовать две одинаковые батареи, также одновременно их заряжать. • Используя две батареи с разным зарядом, может привести к плохой производительности машины	C1, C2
Проверка состояния заряда аккумулятора ПРИМЕЧАНИЕ. Рисунок 3 применим только к аккумуляторным батареям с индикаторной лампой аккумулятора.	C3

Зарядка аккумулятора
Более подробную информацию можно найти в руководстве WA3876

Примечание:

- Батареи поставляются без зарядки. Перед первым использованием каждая батарея должна быть полностью заряжена.
- Всегда заряжайте две батареи одновременно и полностью. Более подробную информацию можно найти в руководстве зарядного устройства.

C4

Индикатор питания аккумулятора на машине
См. Подробности в разделе «Состояние батареи»

C5

ЭКСПЛУАТАЦИЯ

ВКЛ/ВЫКЛ выключатель

⚠ Предупреждение! Режущая головка продолжает вращаться после отключения электрокосилки; подождите, пока она полностью не остановится, а затем положите инструмент.

D

Кошение

E

-Регулировка головки резака

F1, F2

-Регулировка вспомогательной ручки

G

Подравнивание

H1-H4

-Место хранения колес для подравнивания

I

Пульт управления подачи лески

J

Ручная подача лески

K

Замена режущей лески и катушки

L, M, N

Ручное наматывание лески

O, P, Q, R


СТАТУС БАТАРЕИ (см. Рис. C5)

Перед запуском или после использования нажмите кнопку рядом с индикатором питания на аппарате, чтобы проверить емкость аккумулятора. Светодиодные индикаторы отображают состояние батареи следующим образом:

Статус индикатора	Состояние батареи
Пять зеленых ламп (■ ■ ■ ■ ■) горят.	Две батареи находятся в заряженном состоянии.
2, 3 или 4 лампы горят.	Чем больше горит ламп, тем больше емкость аккумулятора.
1 лампа (■ □ □ □ □) горит.	По меньшей мере одна батарея разряжена и должна быть заряжена.

Лампы не горят.	Как минимум одна батарея не полностью установлена или неисправна.
Одна лампа мигает дважды за цикл	По крайней мере, одна батарея разряжена, пожалуйста, перезарядите две батареи сразу перед повторным использованием или хранением.
Одна лампа мигает трижды за цикл.	По крайней мере, одна батарея горячая, дождитесь их охлаждения до начала повторного запуска.
Четыре лампы мигают дважды за цикл.	Машина перегружена. Увеличьте высоту покоса или медленно опускайте.

ИНСТРУКЦИИ ПО ЭКСПЛУАТАЦИИ

 **Предупреждение!** Зарядное устройство и аккумуляторная батарея специально разработаны для совместной работы, поэтому не пытайтесь использовать какие-либо другие устройства. Никогда не вставляйте или не допускайте попадание металлических предметов в зарядное устройство или аккумуляторные батареи.

1. ПУЛЬТ УПРАВЛЕНИЯ ПОДАЧИ НИТИ (см. Рис. J)

Ваша электрокосилка оснащена системой подачи команд. Для эффективной подачи нити просто нажмите кнопку пока не услышите «грохочущий» шум нити.

Двигатель будет отключен при нажатии кнопки и перезапустится при отпускании кнопки. Во время этого процесса автоматически подается дополнительная леска для кошения.

2. РУЧНАЯ ПОДАЧА НИТИ (см. Рис. K)

Выключите электрокосилку и извлеките аккумулятор. При необходимости леска может подаваться вручную. Для работы нажмите и отпустите ручную кнопку подачи, осторожно вытащите леску, пока она не станет достаточно длинной, чтобы добраться до резака.

3. РУЧНАЯ НАМОТКА НИТИ

(см. Рис. O, P, Q, R)

Возьмите приблизительно 6 м нити. Вставьте 2 мм леску в отверстия катушки и намотайте ее в направлении стрелок на верхней части катушки. Оставьте примерно 100 мм размотанной лески и поместите в зажим. Убедитесь, что леска аккуратно скручена на катушке. Невыполнение этого требования ухудшит эффективность автоматической подачи нити. Затем установите катушку как описано выше.

ХРАНЕНИЕ ЭЛЕКТРОКОСЫ



Всегда вынимайте батарейный блок из электрокосы после использования.

Электрокоса снабжена вешалкой для хранения триммера на стене. (См. Рис. S)
Храните в сухом месте, где электрокоса и аккумулятор могут быть защищены от повреждений.

ОБСЛУЖИВАНИЕ



Всегда вынимайте батарейный блок из электрокосы после использования.

Всегда вынимайте батарейный блок из электрокосы после использования.

Всегда проверяйте машины на любые повреждения перед тем, как ее использовать
После использования отсоедините батарею от инструмента и проверьте на наличие повреждений. Ваш электроинструмент не требует дополнительной смазки или технического обслуживания.

Никогда не используйте воду или химические чистящие средства для чистки электроинструмента. Протрите сухой тканью. Всегда храните электроинструмент в сухом помещении. Следите за чистой вентиляционных отверстий двигателя.

ИСПРАВЛЕНИЕ ПРОБЛЕМ

В следующей таблице приведены проблемы и действия, которые вы можете выполнить, если ваша электрокосилка работает неправильно.



Предупреждение. Выключите устройство и извлеките аккумулятор перед устранением неисправностей.

Проблема	Возможная причина	Решение
Электрокоса не работает	Батарея разрядилась. Аккумулятор слишком горячий / холодный. Двигатель сломан. Внутренняя проводка машины повреждена.	Перезарядите батарею Дайте остыть / нагреться. Связаться с агентом по обслуживанию.
Электрокоса работает рывками	Двигатель сломан. Аккумулятор не полностью заряжен. Вкл. / Выкл. Переключатель неисправен.	Связаться с агентом по обслуживанию. Зарядите аккумулятор. Связаться с агентом по обслуживанию.
Чрезмерные вибрации / шум.	Машина неисправна. Катушка плохо намотана.	Связаться с агентом по обслуживанию. Перемотайте леску.
Короткое время работы от одной зарядки батарей	Батарея не использовалась в течение длительного времени или заряжалась только на короткий срок. Трава слишком высокая. Батарея неисправна.	Полностью зарядите аккумулятор; Режьте поэтапно. Замените аккумулятор.
Машина не режет	Леска порвана. Аккумулятор не полностью заряжен. Двигатель сломан (скорость слишком низкая). Трава запуталась вокруг режущей головки.	Замените леску. Перезарядите батарею Связаться с агентом по обслуживанию. Уберите траву.
Непрерывное свечение индикатора заряда аккумулятора. Невозможна процедура зарядки.	Батарея не установлена (правильно). Аккумуляторные контакты загрязнены. Батарея неисправна.	Правильно вставьте аккумулятор в зарядное устройство. Очистите контакты аккумулятора или замените аккумулятор. Замените аккумулятор.
Индикатор заряда аккумулятора не загорается.	Вилка зарядного устройства не подключена (правильно). Неисправен выход розетки, сетевой кабель или зарядное устройство.	Вставьте сетевой штекер (полностью) в розетку. Проверьте сетевое напряжение; проверьте зарядное устройство у дилера.
Пульт управления не работает	Режущая леска плохо намотана Леска запуталась. Леска израсходовалась	Подайте леску вручную, если не получается, снимите катушку и перемотайте леску. Замените на новую катушку с леской.

ЗАЩИТА ОКРУЖАЮЩЕЙ СРЕДЫ



Отходы электротехнической продукции не следует утилизировать с бытовыми отходами. Они должны быть доставлены в местный центр утилизации для надлежащей переработки.

ДЕКЛАРАЦИЯ СООТВЕТСТВИЯ

Мы,
POSITEC Germany GmbH
Grüner Weg 10, 50825 Cologne, Germany

Зявляем, что продукт
Наименование: **Аккумуляторная электрокосилка**
Модели: **WG184E WG184E.9 (1-обозначение оборудования, представитель беспроводного триммера)**
Функция: **Покос травы и аналогичной мягкой растительности, а также для подравнивания травы**

Соответствует следующим директивам:
2006/42/EC, 2014/30/EU, 2011/65/EU, 2000/14/EC с поправками к 2005/88/EC

2000/14/EC с поправками к 2005/88/EC:

- Процедура оценки соответствия согласно Приложению VI
- Измеренный уровень мощности звука **95.4 дБ (A)**
- Объявленный гарантированный уровень мощности звука **96 дБ (A)**

Уполномоченный орган
Название: **Intertek Testing & Certification Ltd**
Адрес: **Davy Avenue, Knowlhill, Milton Keynes, MK5 8NL**

Соответствует стандартам
EN 60335-1, EN 50636-2-91, EN 62233, EN ISO 3744, EN 55014-1, EN 55014-2

Лицо, уполномоченное составлять технический файл,
Имя: Марсель Фильц
Адрес: Positec Germany GmbH
Grüner Weg 10, 50825 Cologne, Germany



2018/01/10
Allen Ding
Заместитель главного инженера, Тестирование и сертификация
Positec Technology (China) Co., Ltd
18, Dongwang Road, Suzhou Industrial Park, Jiangsu 215123, P. R. China

СТРАНА	ТЕЛЕФОН ТЕХПОДДЕРЖКИ	АВТОРИЗОВАННЫЙ СЕРВИСНЫЙ ЦЕНТР
---------------	-----------------------------	---------------------------------------

Россия

+ 7(495) 221-4625 доб.106, 107,108

Ленинградское ш., вл.29г,г.Химки, Московская обл., 141408, Россия



EAC

Производитель:	Место производства
Позитек Германия ГМБХ, Грюнер Вег 10, 50825 Кёльн, Германия	
Позитек Технолоджи КНР Ко.Лтд Номер 18 Донванг Роуд, Сучжоу Индастриал Парк, Сучжоу, Джиангсу, КНР	√

Импортер: ООО «Дистрибьюторский Центр Юнисоо», Ленинградское ш., вл. 29Г, г.Химки, Московская обл., 141408, Россия

Срок службы 6 лет.

WORX
it's your nature

www.worx.com

Copyright © 2018, Positec. All Rights Reserved.
AR01344101