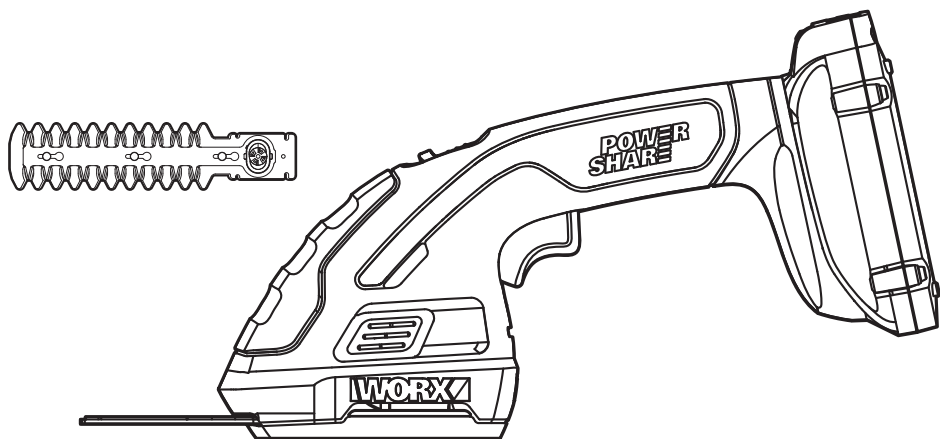


# WORX®



---

**20V Cordless Shrub Shear & Grass Shear**

---

**P02**

**P10**

---

**P15**

---



HELPLINE NUMBER  
NUMERO DU SERVICE D'ASSISTANCE  
NUMERO DE LINEA DE AYUDA  
1-866-354-WORX (9679)

**WG801 WG801.9**

**WARNING:** Some dust created by power sanding, sawing, grinding, drilling and other construction activities contains chemicals known to the state of California to cause cancer, birth defects or other reproductive harm. Some examples of these chemicals are:

- Lead from lead-based paints;
- Crystalline silica from bricks and cement and other masonry products;
- Arsenic and chromium from chemically-treated lumber.

Your risk from these exposures varies, depending on how often you do this type of work. To reduce your exposure to these chemical: work in a well ventilated area, and work with approved safety equipment, such as those dust masks that are specially designed to filter out microscopic particles.

**WARNING:** This product can expose you to chemicals including lead, phthalate or bisphenol A which are known to the State of California to cause cancer, birth defects or other reproductive harm. Wash your hands after use. For more information go to [www.P65Warnings.ca.gov](http://www.P65Warnings.ca.gov).

## GENERAL POWER TOOL SAFETY WARNINGS

**WARNING:** Read all safety warnings and instructions. Failure to follow the warnings and instructions may result in electric shock, fire and/or serious injury.

### Save all warnings and instructions for future reference.

The term "power tool" in the warnings refers to your mains-operated (corded) power tool or battery-operated (cordless) power tool.

#### 1) WORK AREA SAFETY

- Keep work area clean and well lit. Cluttered or dark areas invite accidents.
- Do not operate power tools in explosive atmospheres, such as in the presence of flammable liquids, gases or dust. Power tools create sparks which may ignite the dust or fumes.
- Keep children and bystanders away while operating a power tool. Distractions can cause you to lose control.

#### 2) ELECTRICAL SAFETY

- Power tool plugs must match the outlet. Never modify the plug in any way. Do not use any adapter plugs with earthed (grounded) power tools. Unmodified plugs and matching outlets will reduce risk of electric shock.
- Avoid body contact with earthed or grounded surfaces such as pipes, radiators, ranges and refrigerators. There is an increased risk of electric shock if your body is earthed or grounded.
- Do not expose power tools to rain or wet conditions. Water entering a power tool will

increase the risk of electric shock.

- Do not abuse the cord. Never use the cord for carrying, pulling or unplugging the power tool. Keep cord away from heat, oil, sharp edges or moving parts. Damaged or entangled cords increase the risk of electric shock.
- When operating a power tool outdoors, use an extension cord suitable for outdoor use. Use of a cord suitable for outdoor use reduces the risk of electric shock.
- If operating a power tool in a damp location is unavoidable, use a residual current device (RCD) protected supply. Use of an RCD reduces the risk of electric shock.

#### 3) PERSONAL SAFETY

- Stay alert, watch what you are doing and use common sense when operating a power tool. Do not use a power tool while you are tired or under the influence of drugs, alcohol or medication. A moment of inattention while operating power tools may result in serious personal injury.
- Use personal protective equipment. Always wear eye protection. Protective equipment such as dust mask, non-skid safety shoes, hard hat, or hearing protection used for appropriate conditions will reduce personal injuries.
- Prevent unintentional starting. Ensure the switch is in the off-position before connecting to power source and/or battery pack, picking up or carrying the tool. Carrying power tools with your finger on the switch or energising power tools that have the switch on invites accidents.
- Remove any adjusting key or wrench before turning the power tool on. A wrench or a key left attached to a rotating part of the power tool may result in personal injury.
- Do not overreach. Keep proper footing and balance at all times. This enables better control of the power tool in unexpected situations.
- Dress properly. Do not wear loose clothing or jewellery. Keep your hair, clothing and gloves away from moving parts. Loose clothes, jewellery or long hair can be caught in moving parts.
- If devices are provided for the connection of dust extraction and collection facilities, ensure these are connected and properly used. Use of dust collection can reduce dust-related hazards.

#### 4) POWER TOOL USE AND CARE

- Do not force the power tool. Use the correct power tool for your application. The correct power tool will do the job better and safer at the rate for which it was designed.
- Do not use the power tool if the switch does not turn it on and off. Any power tool that cannot be controlled with the switch is dangerous and must be repaired.
- Disconnect the plug from the power source and/or the battery pack from the power tool before making any adjustments, changing accessories, or storing power tools. Such preventive safety

measures reduce the risk of starting the power tool accidentally.

- d) Store idle power tools out of the reach of children and do not allow persons unfamiliar with the power tool or these instructions to operate the power tool.  
Power tools are dangerous in the hands of untrained users.
- e) Maintain power tools. Check for misalignment or binding of moving parts, breakage of parts and any other condition that may affect the power tools operation. If damaged, have the power tool repaired before use. Many accidents are caused by poorly maintained power tools.
- f) Keep cutting tools sharp and clean. Properly maintained cutting tools with sharp cutting edges are less likely to bind and are easier to control.
- g) Use the power tool, accessories and tool bits etc., in accordance with these instructions and in the manner intended for the particular type of power tool, taking into account the working conditions and the work to be performed. Use of the power tool for operations different from those intended could result in a hazardous situation.

#### 5) BATTERY TOOL USE AND CARE

- a) Recharge only with the charger specified by the manufacturer. A charger that is suitable for one type of battery pack may create a risk of fire when used with another battery pack.
- b) Use power tools only with specifically designated battery packs. Use of any other battery packs may create a risk of injury and fire.
- c) When battery pack is not in use, keep it away from other metal objects, like paper clips, coins, keys, nails, screws or other small metal objects, that can make a connection from one terminal to another. Shorting the battery terminals together may cause burns or a fire.
- d) Under abusive conditions, liquid may be ejected from the battery; avoid contact. If contact accidentally occurs, flush with water. If liquid contacts eyes, additionally seek medical help. Liquid ejected from the battery may cause irritation or burns.

#### 6) SERVICE

- a) Have your power tool serviced by a qualified repair person using only identical replacement parts. This will ensure that the safety of the power tool is maintained.

## HEDGE TRIMMER SAFETY WARNINGS

- 1. **Keep all parts of the body away from the cutter blade. Do not remove cut material or hold material to be cut when blades are moving. Make sure the switch is off when clearing jammed material. Blades coast after turn off.** A moment of inattention

while operating the hedge trimmer may result in serious personal injury.

- 2. **Carry the hedge trimmer by the handle with the cutter blade stopped. When transporting or storing the hedge trimmer always fit the cutting device cover.** Proper handling of the hedge trimmer will reduce possible personal injury from the cutter blades.
- 3. **Hold the power tool by insulated gripping surfaces only, because the cutter blade may contact hidden wiring or its own cord.** Cutter blades contacting a live wire may make exposed metal parts of the power tool live and could give the operator an electric shock
- 4. **Keep hands away from blade.** Contact with blade will result in serious personal injury.
- 5. **Use both hands when operating the hedge trimmer. Using one hand could cause loss of control and result in serious personal injury.**
- 6. **Only use with handle and guard properly assembled to hedge trimmer. The use of the hedge trimmer without the proper guard or handle provided may result in serious personal injury.**
- 7. **Check the hedge for foreign objects, e.g. wire fences.**



#### Important Safety Instructions



**WARNING:** When using electric gardening appliances, basic safety precautions should always be followed to reduce the risk of fire, electric shock, and personal injury, including the following:



**WARNING:** Read all instructions

#### FOR ALL APPLIANCES

- 1) Avoid Dangerous Environment - Don't use appliances in damp or wet locations.
- 2) Don't Use In Rain.
- 3) Keep Children Away - All visitors should be kept at a distance from work area.
- 4) Dress Properly - Do not wear loose clothing or jewelry. They can be caught in moving parts. Use of rubber gloves and substantial footwear is recommended when working outdoors. Wear protective hair covering to contain long hair.
- 5) Use Safety Glasses - Always use face or dust mask if operation is dusty.
- 6) Use Right Appliance - Do not use appliance for any job except that for which it is intended.
- 7) Don't grasp the exposed cutting blades or cutting edges when picking up or holding the appliance.
- 8) Don't Force Appliance - It will do the job better and with less likelihood of a risk of injury at the rate for which it was designed.
- 9) Don't Overreach - Keep proper footing and balance at all times.
- 10) Stay Alert - Watch what you are doing. Use common sense. Do not operate appliance when

you are tired.

- 11) Store Idle Appliances Indoors - When not in use, appliances should be stored indoors in dry, and high or locked-up place - out of reach of children.
- 12) Maintain Appliance With Care - Keep cutting edge sharp and clean for best performance and to reduce the risk of injury. Follow instructions for lubricating and changing accessories. Keep handles dry, clean, and free from oil and grease.
- 13) Check Damaged Parts - Before further use of the appliance, a guard or other part that is damaged should be carefully checked to determine that it will operate properly and perform its intended function. Check for alignment of moving parts, binding of moving parts, breakage of parts, mounting, and any other condition that may affect its operation. A guard or other part that is damaged should be properly repaired or replaced by an authorized service center unless indicated elsewhere in this manual.

### **FOR ALL BATTERY - OPERATED GARDENING APPLIANCES**

#### **1. For all battery-operated gardening appliances:**

- a) Do not charge appliance in rain, or in wet locations.
- b) Do not use battery-operated appliance in rain.
- c) Remove or disconnect battery before servicing, cleaning or removing material from the gardening appliance.

#### **2. For all battery-operated products employing a detachable or separable battery:**

- a) Use only the following type and size battery(ies): --- WA3520, WA3525, WA3575, WA3578
  - b) Do not dispose of the battery(ies) in a fire. The cell may explode. Check with local codes for possible special disposal instructions.
  - c) Do not open or mutilate the battery(ies). Released electrolyte is corrosive and may cause damage to the eyes or skin. It may be toxic if swallowed.
  - d) Exercise care in handling batteries in order not to short the battery with conducting materials such as rings, bracelets, and keys. The battery or conductor may overheat and cause burns.
3. Avoid unintentional starting – Do not insert the battery with your finger on the switch. Be sure the switch is off when inserting the battery.

### **SAVE THESE INSTRUCTIONS**

#### **Additional safety rule for grass shear**

Keep hands away from blades.

## **SAFETY WARNINGS FOR BATTERY PACK**

- 1) **WARNING: Risk of fire and burns. Do not disassemble, heat above 100°C (212°F), or incinerate. Do not expose cells or batteries to heat or fire. Avoid storage in direct sunlight.**
- 2) **Dispose of used battery promptly.. When disposing of secondary cells or batteries, keep cells or batteries of different electrochemical systems separate from each other.**
- 3) **Keep battery out of reach of children and in original package until ready to use.**
- 4) **Never put batteries in mouth. If swallowed, contact your physician or local poison control center.**
- 5) **CAUTION - The battery used in this device may present a risk of fire or chemical burn if mistreated. Replace battery with WORX WA3520, WA3525, WA3575, WA3578 only. Use of another battery may present a risk of fire or explosion.**
- 6) **Warning: Do not use a visibly damaged battery pack or appliance as applicable.**
- 7) **Warning: Do not modify or attempt to repair the appliance or the battery pack as applicable.**
- 8) **BATTERY MUST BE RECYCLED.**
- 9) **Do not short-circuit a cell or battery. Do not store cells or batteries haphazardly in a box or drawer where they may short-circuit each other or be short-circuited by conductive materials.**
- 10) **Do not subject cells or batteries to mechanical shock.**
- 11) **Keep cells and batteries clean and dry.**  
Wipe the cell or battery terminals with a clean dry cloth if they become dirty.
- 12) **Do not maintain secondary cells and batteries on charge when not in use.**
- 13) **Retain the original cell and battery literature for future reference.**
- 14) **Do not use any charger other than that specifically provided for use with the equipment. Secondary cells and batteries need to be charged before use.** Always use the correct charger and refer to the manufacturer's instructions or equipment manual for proper charging instructions.
- 15) When possible, remove the battery from the equipment when not in use.
- 16) Prevent unintentional starting. Ensure the switch is in the off-position before connecting to battery pack, picking up or carrying the appliance. Carrying the appliance with your finger on the switch or energizing appliance that have the switch on invites accidents.
- 17) Disconnect the battery pack from the appliance before making any adjustments, changing accessories, or storing appliance. Such

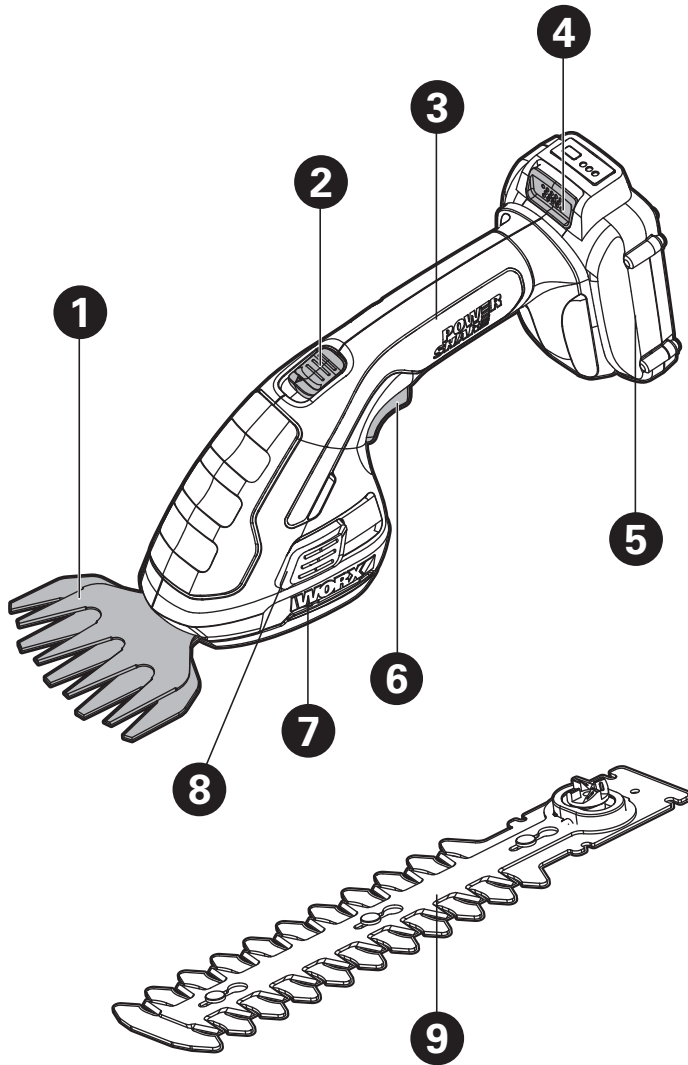
preventive safety measures reduce the risk of starting the appliance accidentally.

- 18) Under abusive conditions, liquid may be ejected from the battery; avoid contact. If contact accidentally occurs, flush with water. If liquid contacts eyes, additionally seek medical help. Liquid ejected from the battery may cause irritation or burns.
- 19) Have servicing performed by a qualified repair person using only identical replacement parts. This will ensure that the safety of the product is maintained.

## SYMBOL

	To reduce the risk of injury, user must read instruction manual
	Warning
	Wear ear protection
	Wear eye protection
	Wear dust mask
	Do not expose to rain
	DANGER – Keep hands away from blade
 Li-Ion	Li-Ion battery, battery must be recycled
	Make sure the battery is removed prior to changing accessories.
	Wear protective gloves
	Lock

	Unlock
	<p><b>call2recycle®</b></p> <p>POSITEC Inc. has established a partnership with the RBRC Corporation to recycle any Positec batteries with the RBRC-call2recycle seal. For environmental protection, please do not discard batteries in the trash. After the batteries' life cycle is ended, then please call 1-800-822-8837 for a free service that will properly dispose of the battery.</p>





## ACCESSORIES

1. GRASS SHEAR BLADE
2. LOCK-OFF BUTTON
3. HANDLE
4. BATTERY PACK RELEASE BUTTON \*
5. BATTERY PACK \*
6. ON/OFF SWITCH
7. TOOL-FREE DRIVE COVER
8. TOOL-FREE DRIVE COVER RELEASE BUTTON
9. SHRUB SHEAR BLADE

\*Not all the accessories illustrated or described are included in standard delivery.

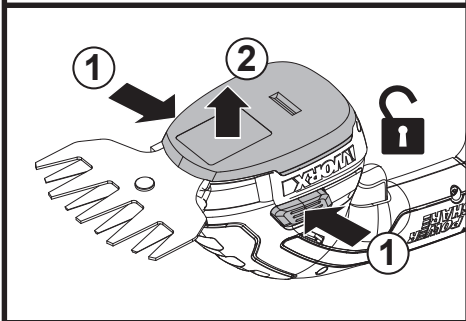
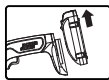
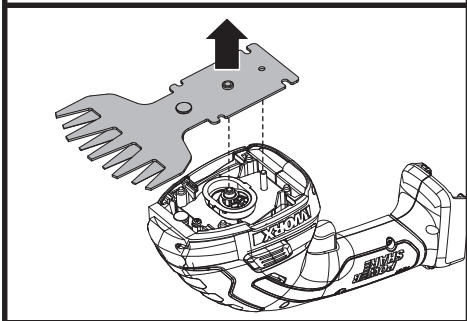
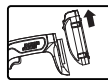
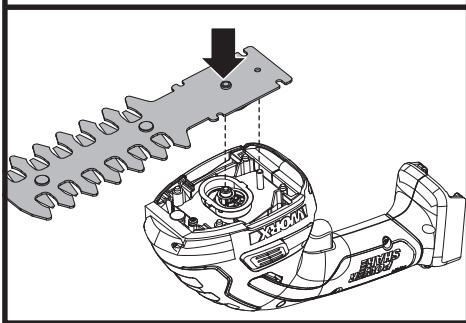
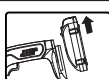
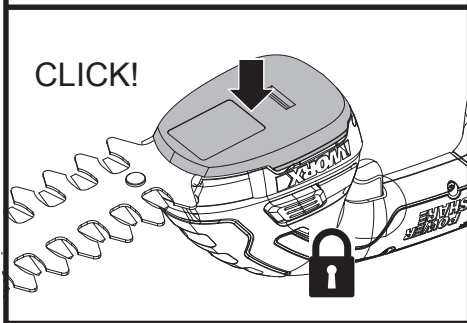
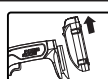
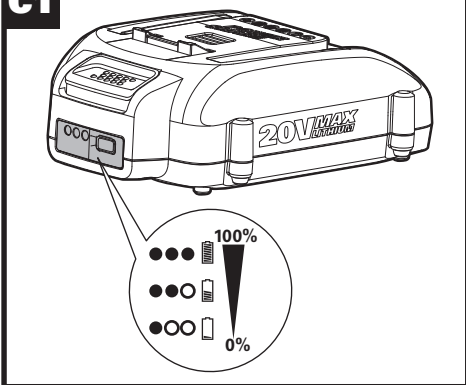
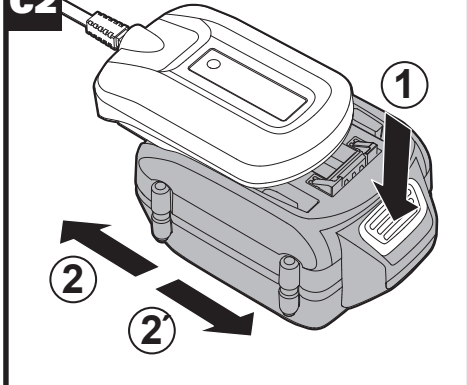
## TECHNICAL DATA

	WG801	WG801.9
Voltage	20V 	
No Load Speed	1100 rpm	
Cutting width	4" with grass shear blade	
Cutting length	8" with shrub blade	
Max. cutting diameter	0.3" for shrub blade	
Charging time	5 hrs	/
Charger rating	Input: 120V~60Hz Output: 20V  400mA	/
Machine weight: (with grass shear blade)	2.0 lbs	1.3 lbs

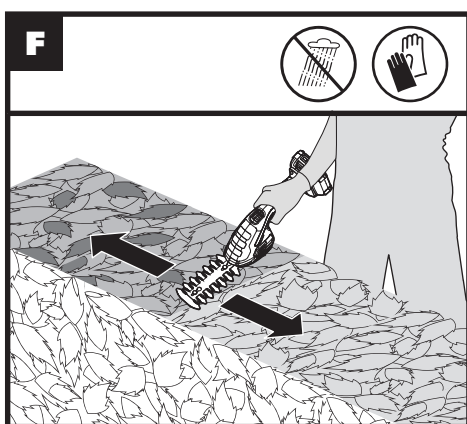
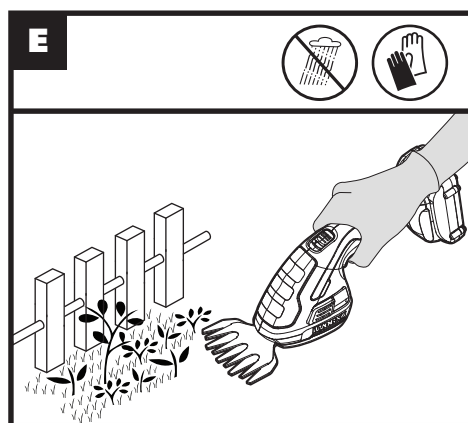
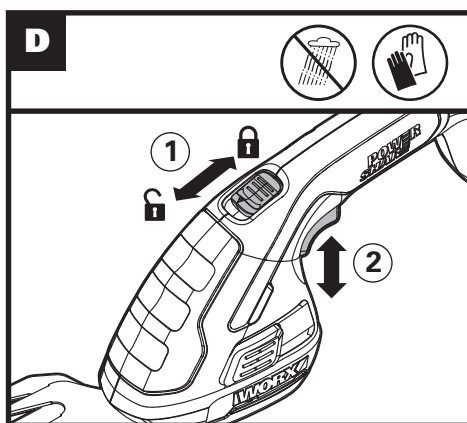
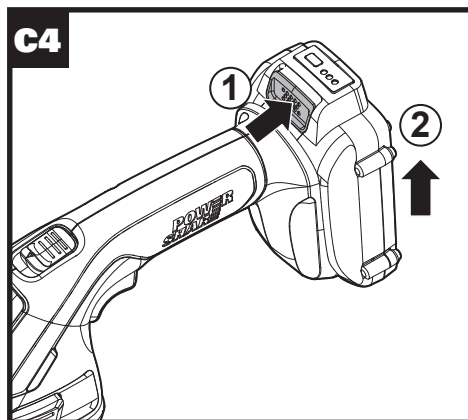
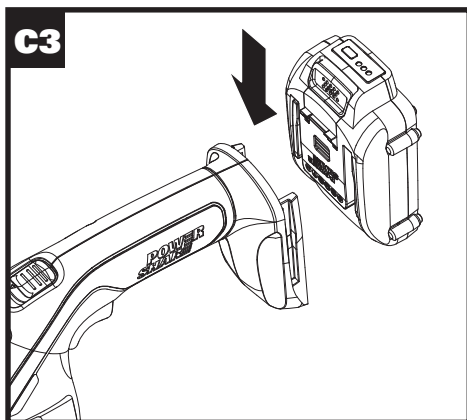
\*Voltage measured without workload. Initial battery voltage reaches maximum of 20 volts. Nominal voltage is 18 volts.

	WG801	WG801.9
4" Grass Shear Blade	1	1
8" Shrub Shear Blade	1	1
Battery Pack (WA3575)	1	/
Charger (WA3742)	1	/
Telescopic Pole (WA0040)	/	/

We recommend that you purchase your accessories listed in the above list from the same store that sold you the tool. Refer to the accessory packaging for further details. Store personnel can assist you and offer advice.

**A1****A2****B1****B2****C1****C2**





# OPERATING INSTRUCTIONS




**NOTE:** Before using the tool, read the instruction book carefully.

## INTENDED USE

The product is intended for light trimming of shrubs and lawn edges in domestic use.

# ASSEMBLY AND OPERATION

ACTION	FIGURE
<b>ASSEMBLY (Fitting/Changing the blade)</b>	
Removing the blade  <b>WARNING:</b> Wear gloves when changing the blade.	See Fig. A1, A2
Fitting the blade	See Fig. B1, B2
<b>BEFORE OPERATION</b>	
Checking the battery condition (for WG801)	See Fig. C1
Charging the battery pack More details can be found in charger's manual	See Fig. C2
Installing the battery pack	See Fig. C3
Removing the battery pack	See Fig. C4
<b>OPERATION</b>	
Starting & Stopping	See Fig. D
Trimming grass <b>NOTE:</b> Keep the tool away from hard objects and delicate plants. To make a closer cut, slightly tilt the tool.	See Fig. E
Trimming hedges and shrubs <b>NOTE:</b> Take care to avoid any foreign objects. Especially avoid hard objects such as metal wire and railings, as these could damage the blades.	See Fig. F

# MAINTENANCE

**NOTE:** To ensure long and reliable service, carry out the following maintenance regularly. Remove the battery before carrying out any adjustment, servicing or maintenance. Check for obvious defects such as loose, dislodged or damaged blade, loose fixings and worn or damaged components. Check that covers and guards are undamaged and correctly fitted. Carry out necessary maintenance or repairs before using.

## FOR BATTERY TOOLS

The ambient temperature range for the use and storage of tool and battery is 0°C-45°C.

The recommended ambient temperature range for the charging system during charging is 0°C-40°C.

## BLADE MAINTENANCE

Always clean the cutting blades after operation and periodically lubricating the cutting blade. Visually check the condition of the cutting edges of the cutting blade.

Ensure that the blade is covered with the blade guard supplied when not in use.

## CLEANING/STORAGE

Clean the exterior of the machine thoroughly using a soft brush and cloth. Do not use water, solvents or polishes. Remove all debris, especially from the ventilation slots.

Store the machine in a secure dry place out of reach of children. Do not place other objects on top of the machine.