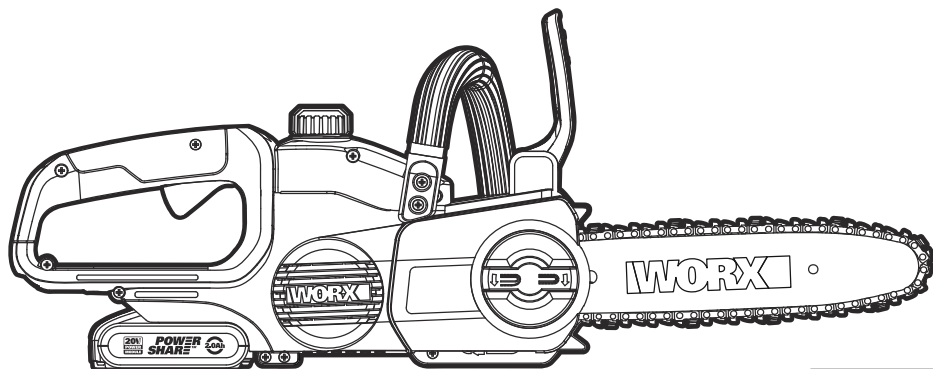


WORX®

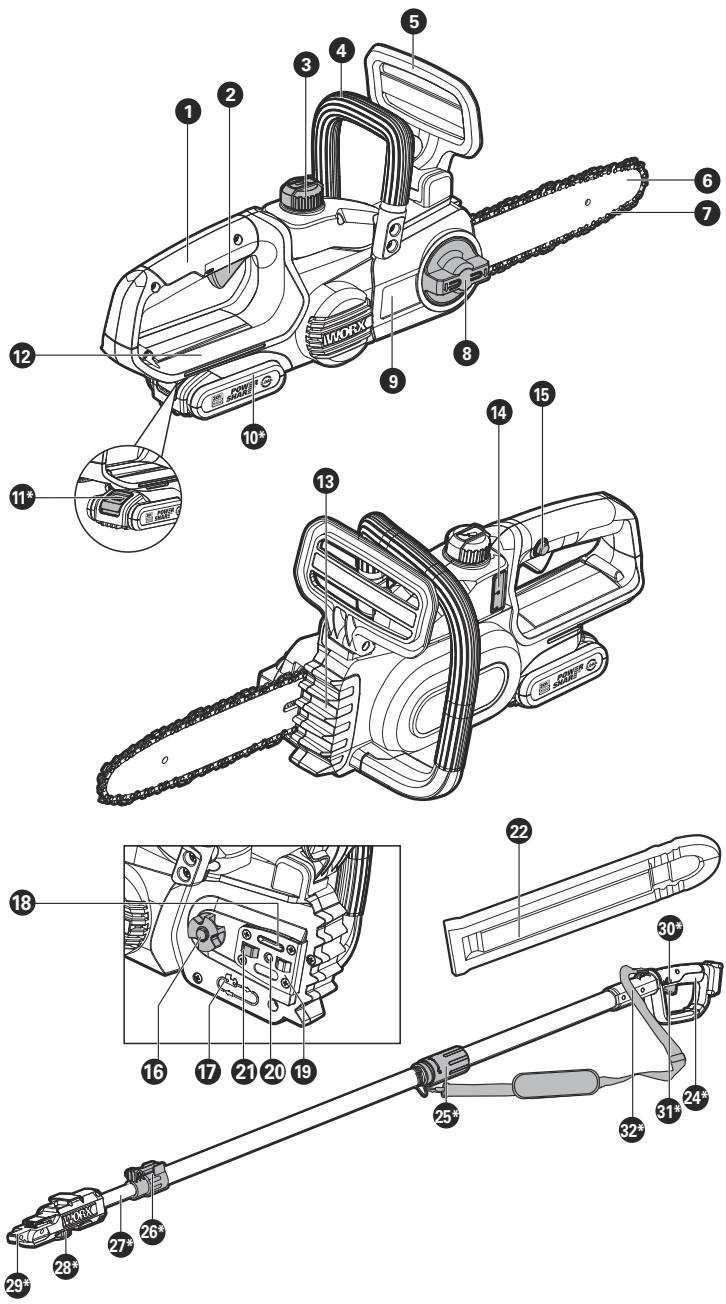


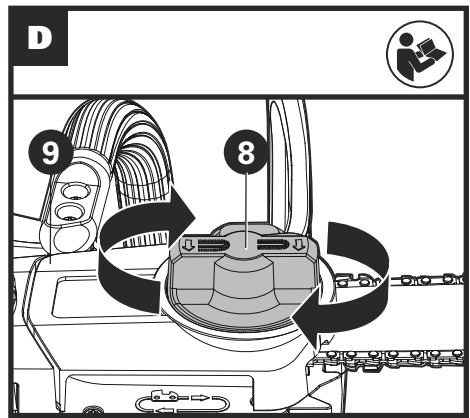
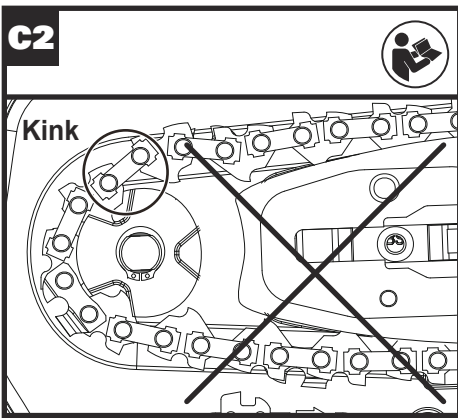
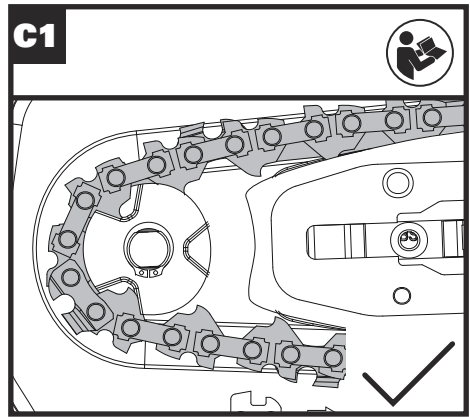
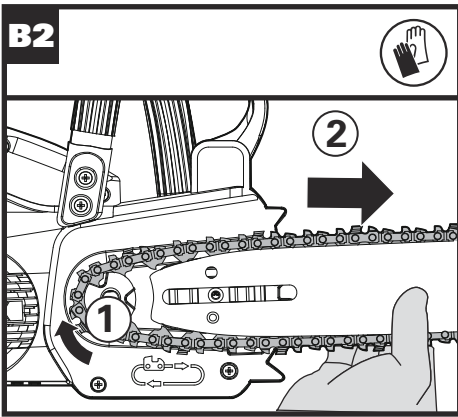
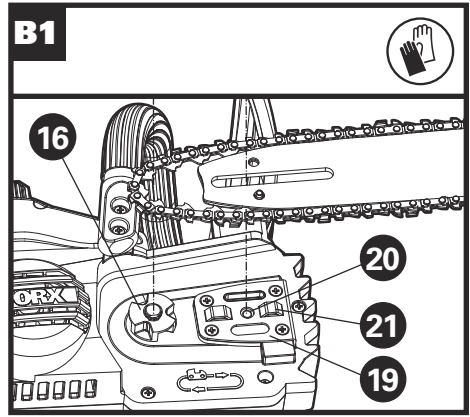
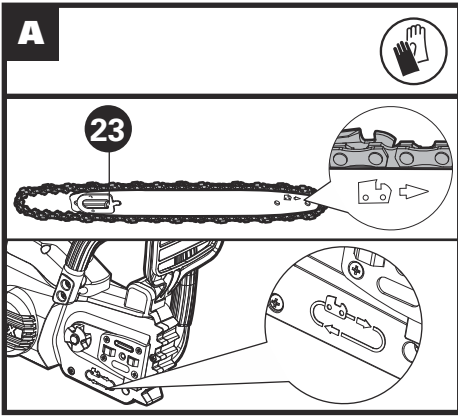
**20V
MAX**
**POWER
MODULE**

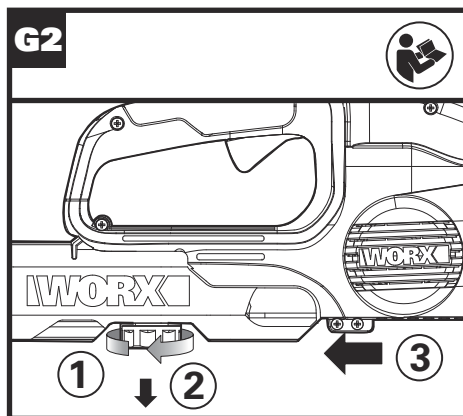
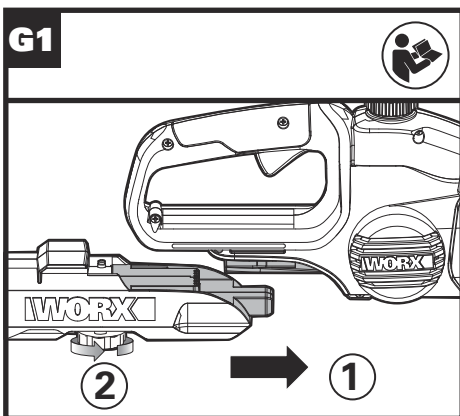
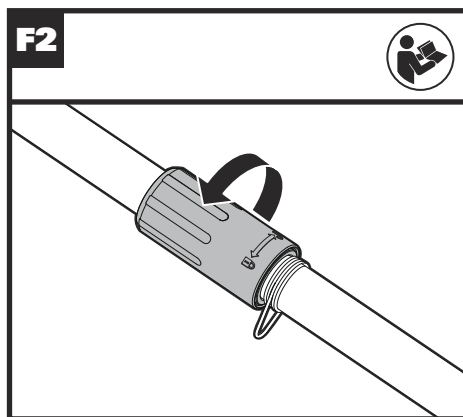
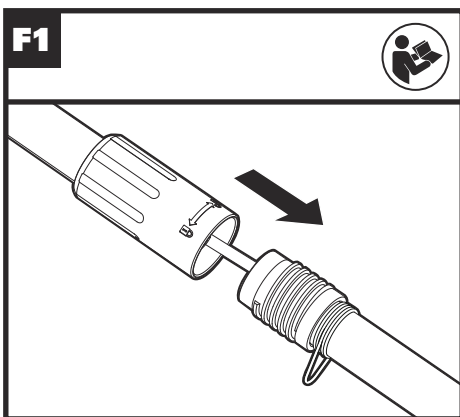
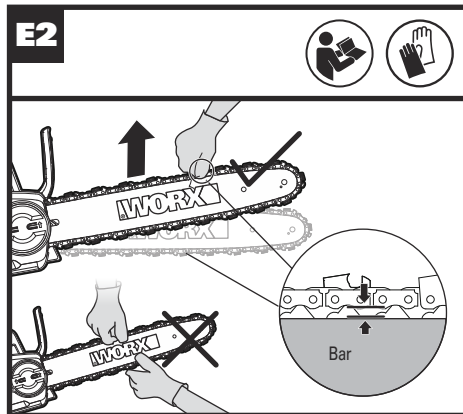
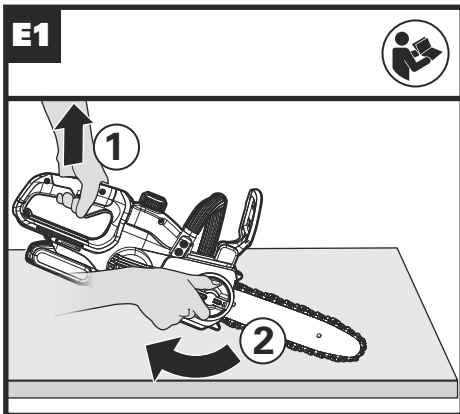
Cordless Chain Saw	EN	P10
Akku-Kettensäge	D	P24
Tronçonneuse sans fil	F	P41
Sega a catena senza filo	I	P57
Motosierra inalámbrica	ES	P74
Draadloze kettingzaag	NL	P90
Bezprzewodowa piła łańcuchowa	PL	P106
Akkus lánzfűrész	HU	P122
Ferăstrău cu lanț cu acumulator	RO	P137
Akumulátorová řetězová pila	CZ	P153
Akumulátorová reťazová pila	SK	P168
Motosserra sem fios	PT	P183
Sladdlös motorsåg	SV	P199
Brezlična verižna žaga	SL	P213

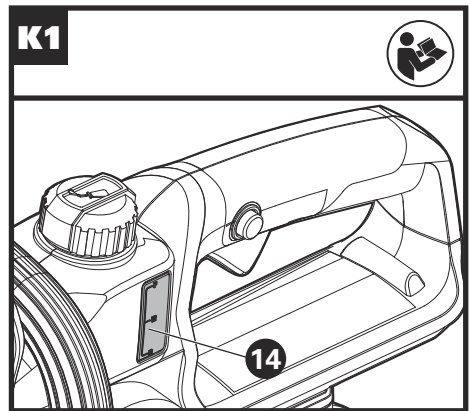
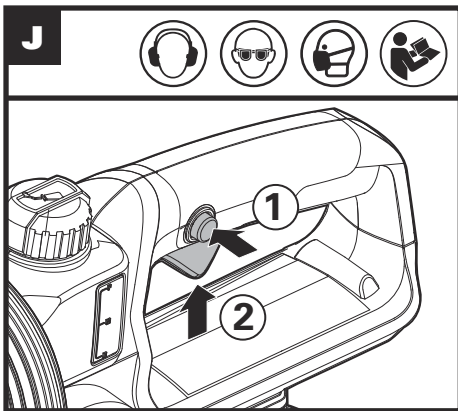
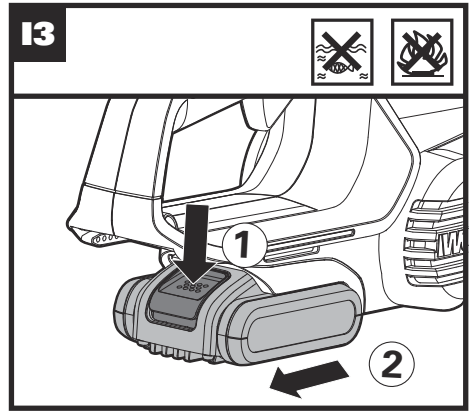
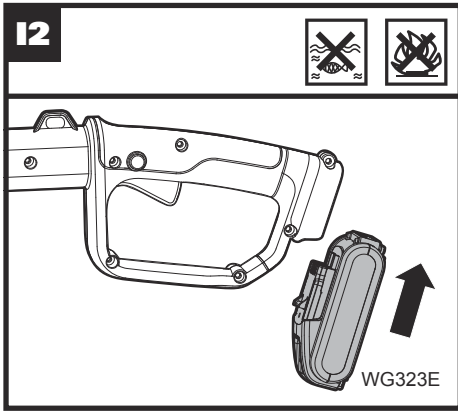
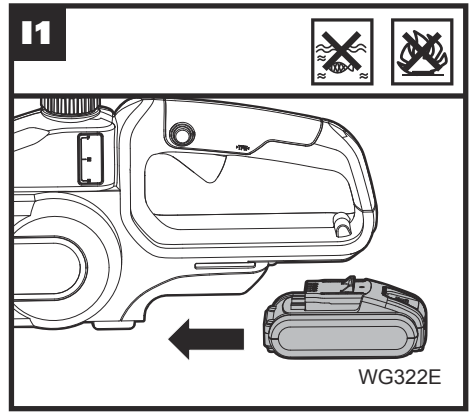
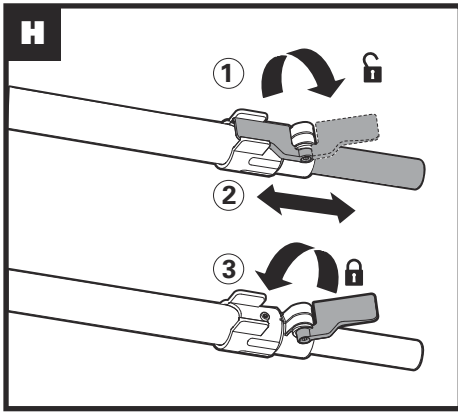
WG322E WG322E.9 WG323E WG323E.9

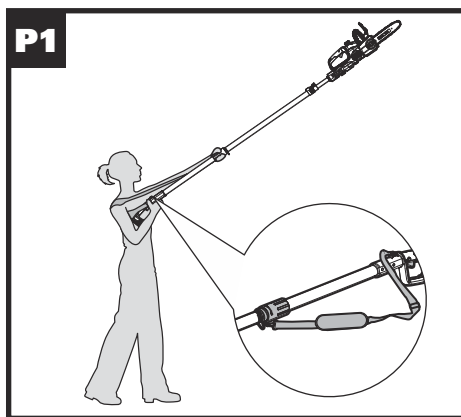
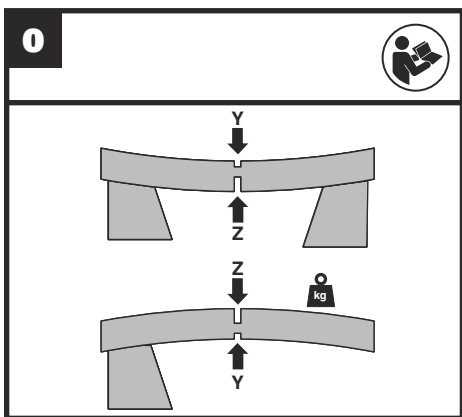
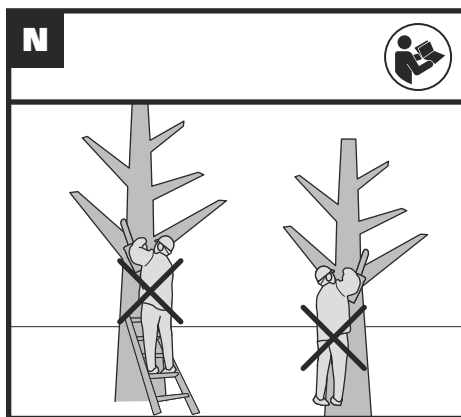
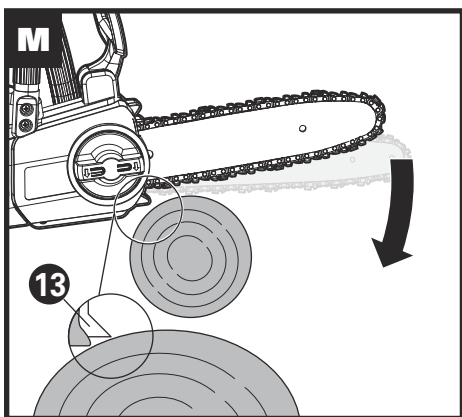
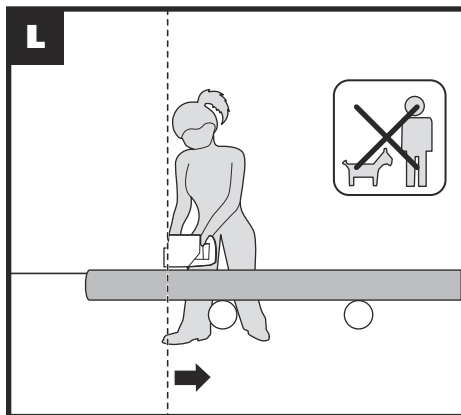
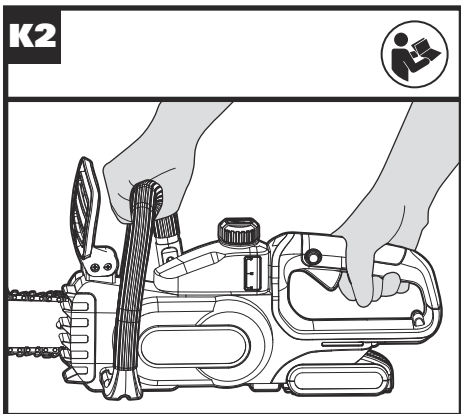
Original instructions	EN
Originalbetriebsanleitung	D
Notice originale	F
Istruzioni originali	I
Manual original	ES
Oorspronkelijke gebruiksaanwijzing	NL
Instrukcja oryginalna	PL
Eredeti használati utasítás	HU
Instrucțiuni originale	RO
Původní návod k používání	CZ
Pôvodný návod na použitie	SK
Manual original	PT
Bruksanvisning i original	SV
Izvirna navodila	SL

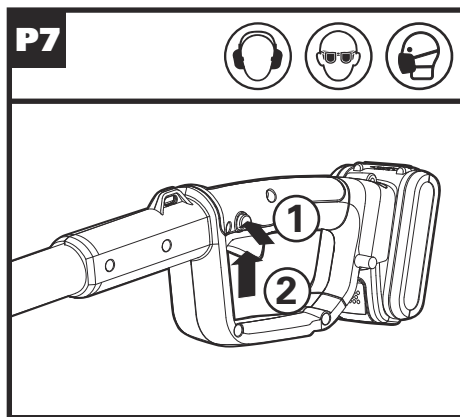
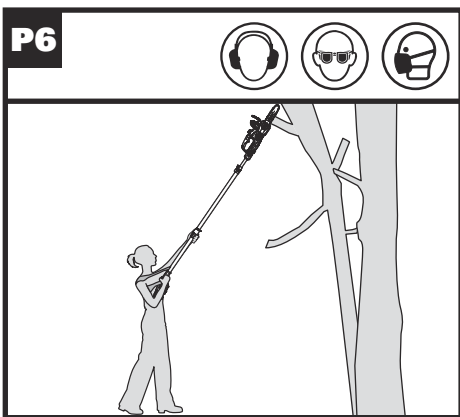
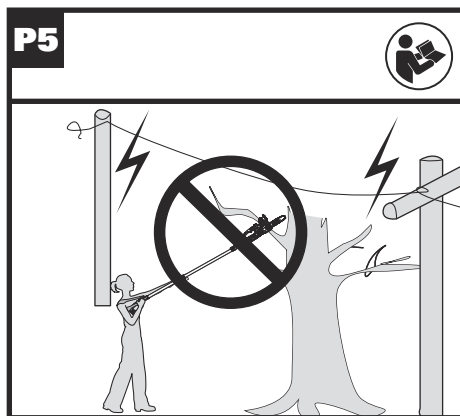
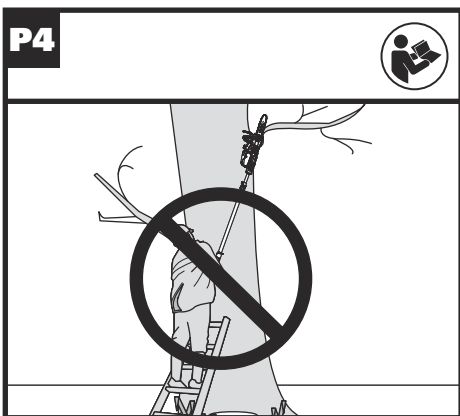
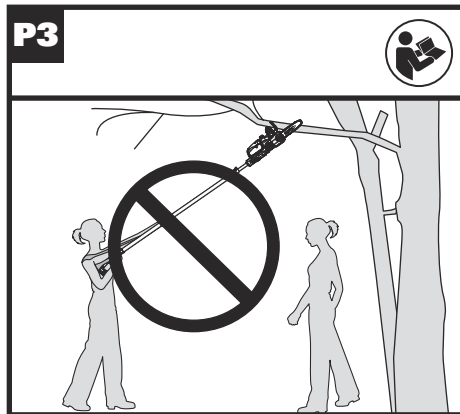
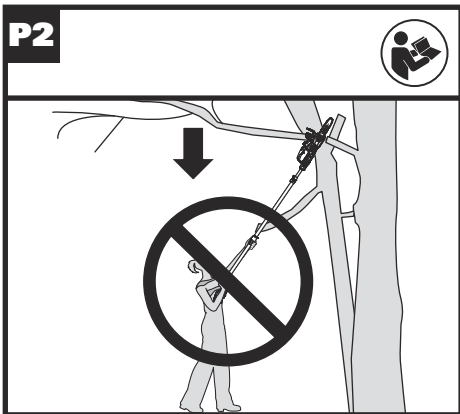




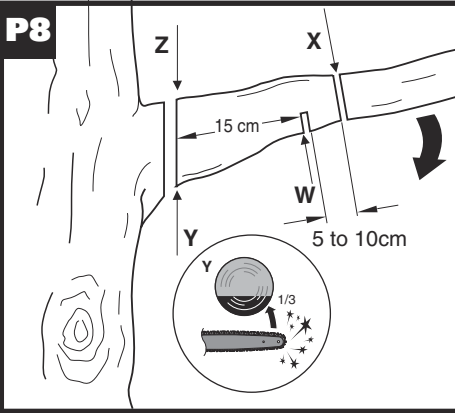




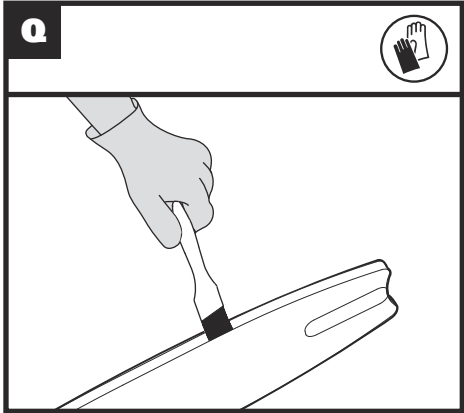




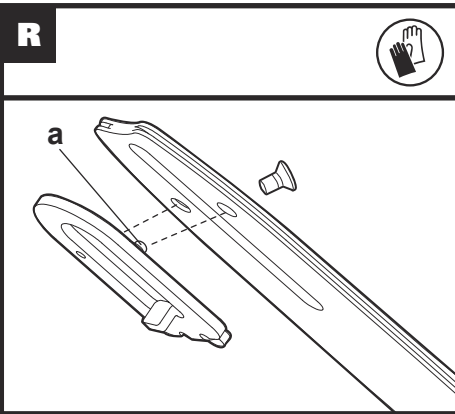
P8



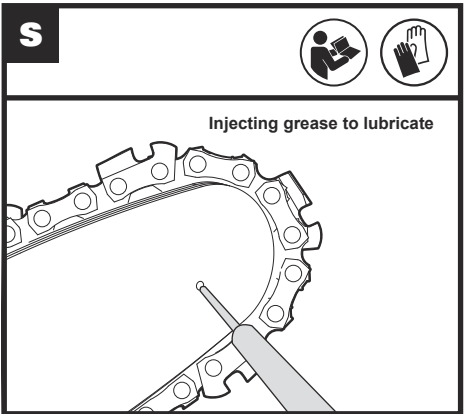
Q



R



S



GENERAL POWER TOOL SAFETY WARNINGS



WARNING: Read all safety warnings and all instructions. Failure to follow the warnings and instructions may result in electric shock, fire and/or serious injury.

Save all warnings and instructions for future reference.

The term "power tool" in the warnings refers to your mains-operated (corded) power tool or battery-operated (cordless) power tool.

1. WORK AREA SAFETY

- a) **Keep work area clean and well lit.** Cluttered or dark areas invite accidents.
- b) **Do not operate power tools in explosive atmospheres, such as in the presence of flammable liquids, gases or dust.** Power tools create sparks which may ignite the dust or fumes.
- c) **Keep children and bystanders away while operating a power tool.** Distractions can cause you to lose control.

2. ELECTRICAL SAFETY

- a) **Power tool plugs must match the outlet. Never modify the plug in any way. Do not use any adapter plugs with earthed (grounded) power tools.** Unmodified plugs and matching outlets will reduce risk of electric shock.
- b) **Avoid body contact with earthed or grounded surfaces, such as pipes, radiators, ranges and refrigerators.** There is an increased risk of electric shock if your body is earthed or grounded.
- c) **Do not expose power tools to rain or wet conditions.** Water entering a power tool will increase the risk of electric shock.
- d) **Do not abuse the cord. Never use the cord for carrying, pulling or unplugging the power tool. Keep cord away from heat, oil, sharp edges or moving parts.** Damaged or entangled cords increase the risk of electric shock.
- e) **When operating a power tool outdoors, use an extension cord suitable for outdoor use.** Use of a cord suitable for outdoor use reduces the risk of electric shock.
- f) **If operating a power tool in a damp location is unavoidable, use a residual current device (RCD) protected supply.** Use of an RCD reduces the risk of electric shock.

3. PERSONAL SAFETY

- a) **Stay alert, watch what you are doing and use common sense when operating a power tool. Do not use a power tool while you are tired or under the influence of drugs, alcohol or medication.** A moment of inattention while operating power tools may result in serious personal injury.
- b) **Use personal protective equipment. Always wear eye protection.** Protective equipment

such as dust mask, non-skid safety shoes, hard hat, or hearing protection used for appropriate conditions will reduce personal injuries.

- c) **Prevent unintentional starting. Ensure the switch is in the off-position before connecting to power source and/or battery pack, picking up or carrying the tool.** Carrying power tools with your finger on the switch or energising power tools that have the switch on invites accidents.
- d) **Remove any adjusting key or wrench before turning the power tool on.** A wrench or a key left attached to a rotating part of the power tool may result in personal injury.
- e) **Do not overreach. Keep proper footing and balance at all times.** This enables better control of the power tool in unexpected situations.
- f) **Dress properly. Do not wear loose clothing or jewellery. Keep your hair, clothing and gloves away from moving parts.** Loose clothes, jewellery or long hair can be caught in moving parts.
- g) **If devices are provided for the connection of dust extraction and collection facilities, ensure these are connected and properly used.** Use of dust collection can reduce dust-related hazards.

4. POWER TOOL USE AND CARE

- a) **Do not force the power tool. Use the correct power tool for your application.** The correct power tool will do the job better and safer at the rate for which it was designed.
- b) **Do not use the power tool if the switch does not turn it on and off.** Any power tool that cannot be controlled with the switch is dangerous and must be repaired.
- c) **Disconnect the plug from the power source and/or the battery pack from the power tool before making any adjustments, changing accessories, or storing power tools.** Such preventive safety measures reduce the risk of starting the power tool accidentally.
- d) **Store idle power tools out of the reach of children and do not allow persons unfamiliar with the power tool or these instructions to operate the power tool.** Power tools are dangerous in the hands of untrained users.
- e) **Maintain power tools. Check for misalignment or binding of moving parts, breakage of parts and any other condition that may affect the power tool's operation. If damaged, have the power tool repaired before use.** Many accidents are caused by poorly maintained power tools.
- f) **Keep cutting tools sharp and clean.** Properly maintained cutting tools with sharp cutting edges are less likely to bind and are easier to control.
- g) **Use the power tool, accessories and tool bits etc. in accordance with these instructions, taking into account the**

working conditions and the work to be performed. Use of the power tool for operations different from those intended could result in a hazardous situation.

5. BATTERY TOOL USE AND CARE

- a) **Recharge only with the charger specified by the manufacturer.** A charger that is suitable for one type of battery pack may create a risk of fire when used with another battery pack.
 - b) **Use power tools only with specifically designated battery packs.** Use of any other battery packs may create a risk of injury and fire.
 - c) **When battery pack is not in use, keep it away from other metal objects, like paper clips, coins, keys, nails, screws or other small metal objects, that can make a connection from one terminal to another.** Shorting the battery terminals together may cause burns or a fire.
 - d) **Under abusive conditions, liquid may be ejected from the battery; avoid contact. If contact accidentally occurs, flush with water. If liquid contacts eyes, additionally seek medical help.** Liquid ejected from the battery may cause irritation or burns.
6. SERVICE
- a) **Have your power tool serviced by a qualified repair person using only identical replacement parts.** This will ensure that the safety of the power tool is maintained.

CHAIN SAW SAFETY WARNINGS

1. **Keep all parts of the body away from the saw chain when the chain saw is operating. Before you start the chain saw, make sure the saw chain is not contacting anything.** A moment of inattention while operating chain saws may cause entanglement of your clothing or body with the saw chain.
2. **Always hold the chain saw with your right hand on the rear handle and your left hand on the front handle.** Holding the chain saw with a reversed hand configuration increases the risk of personal injury and should never be done.
3. **Hold the power tool by insulated gripping surfaces only, because the saw chain may contact hidden wiring.** Saw chains contacting a live wire may make exposed metal parts of the power tool live and could give the operator an electric shock.
4. **Wear safety glasses and hearing protection. Further protective equipment for head, hands, legs and feet is recommended.** Adequate protective clothing will reduce personal injury by flying debris or accidental contact with the saw chain.
5. **Do not operate a chain saw in a tree.**

Operation of a chain saw while up in a tree may result in personal injury.

6. **Always keep proper footing and operate the chain saw only when standing on fixed, secure and level surface.** Slippery or unstable surfaces such as ladders may cause a loss of balance or control of the chain saw.
7. **When cutting a limb that is under tension be alert for spring back.** When the tension in the wood fibres is released the spring loaded limb may strike the operator and/or throw the chain saw out of control.
8. **Use extreme caution when cutting brush and saplings.** The slender material may catch the saw chain and be whipped toward you or pull you off balance.
9. **Carry the chain saw by the front handle with the chain saw switched off and away from your body. When transporting or storing the chain saw always fit the guide bar cover.** Proper handling of the chain saw will reduce the likelihood of accidental contact with the moving saw chain.
10. **Follow instructions for lubricating, chain tensioning and changing accessories.** Improperly tensioned or lubricated chain may either break or increase the chance for kickback.
11. **Keep handles dry, clean, and free from oil and grease.** Greasy, oily handles are slippery causing loss of control.
12. **Cut wood only. Do not use chain saw for purposes not intended. For example: do not use chain saw for cutting plastic, masonry or non-wood building materials.** Use of the chain saw for operations different than intended could result in a hazardous situation.

CAUSES AND OPERATOR PREVENTION OF KICKBACK:

Kickback may occur when the nose or tip of the guide bar touches an object, or when the wood closes in and pinches the saw chain in the cut.

Tip contact in some cases may cause a sudden reverse reaction, kicking the guide bar up and back towards the operator.

Pinching the saw chain along the top of the guide bar may push the guide bar rapidly back towards the operator.

Either of these reactions may cause you to lose control of the saw which could result in serious personal injury. Do not rely exclusively upon the safety devices built into your saw. As a chain saw user, you should take several steps to keep your cutting jobs free from accident or injury.

Kickback is the result of tool misuse and/or incorrect operating procedures or conditions and can be avoided by taking proper precautions as given below:

- **Maintain a firm grip, with thumbs and fingers encircling the chain saw handles, with both hands on the saw and position**

your body and arm to allow you to resist kickback forces. Kickback forces can be controlled by the operator, if proper precautions are taken. Do not let go of the chain saw.

- **Do not overreach and do not cut above shoulder height.** This helps prevent unintended tip contact and enables better control of the chain saw in unexpected situations.
- **Only use replacement bars and chains specified by the manufacturer.** Incorrect replacement bars and chains may cause chain breakage and/or kickback.
- **Follow the manufacturer's sharpening and maintenance instructions for the saw chain.** Decreasing the depth gauge height can lead to increased kickback.

RESIDUAL RISKS

Even with the intended use of the appliance there is always a residual risk, which can not prevented. According to the type and construction of the appliance the following potential hazards might apply:

- Contact with exposed saw teeth of the saw chain (cutting hazards)
- Access to the rotating saw chain (cutting hazards)
- Unforeseen, abrupt movement of the guide bar (cutting hazards)
- Flung out of parts from the saw chain (Cutting / injection hazards)
- Flung out of parts of the work piece
- Skin contact with the oil
- Loss of hearing, if no required ear protection used during work

FOR CHAIN SAW WITH THE EXTENDED POLE SAFETY WARNINGS

1. Do not use the machine when the operator is tired, ill or under the influence of alcohol or other drugs.
2. To reduce the risk, please keep bystanders at a safe distance from the machine during its operation.
3. Be aware of the dangerous of operating positions, as well as the risk of being struck by falling branches or branches that, having hit the ground, rebound, the operator may be struck by falling branches or by those that rebound after hitting the ground. Remove the branches in sections.
4. Keep a firm footing and balance during operating. Use the harness provided.
5. Keep the machine a sufficient distance away from overhead electrical power lines.

SAFETY WARNINGS FOR BATTERY PACK

- a) **Do not dismantle, open or shred cells or battery pack.**
- b) **Do not short-circuit a battery pack. Do not store battery packs haphazardly in a box or drawer where they may short-circuit each other or be short-circuited by conductive materials.** When battery pack is not in use, keep it away from other metal objects, like paper clips, coins, keys, nails, screws or other small metal objects, that can make a connection from one terminal to another. Shorting the battery terminals together may cause burns or a fire.
- c) **Do not expose battery pack to heat or fire. Avoid storage in direct sunlight.**
- d) **Do not subject battery pack to mechanical shock.**
- e) **In the event of battery leaking, do not allow the liquid to come into contact with the skin or eyes. If contact has been made, wash the affected area with copious amounts of water and seek medical advice.**
- f) **Seek medical advice immediately if a cell or battery pack has been swallowed.**
- g) **Keep battery pack clean and dry.**
- h) **Wipe the battery pack terminals with a clean dry cloth if they become dirty.**
- i) **Battery pack needs to be charged before use. Always refer to this instruction and use the correct charging procedure.**
- j) **Do not maintain battery pack on charge when not in use.**
- k) **After extended periods of storage, it may be necessary to charge and discharge the battery pack several times to obtain maximum performance.**
- l) **Battery pack gives its best performance when it is operated at normal room temperature (20 °C ± 5 °C).**
- m) **When disposing of battery packs, keep battery packs of different electrochemical systems separate from each other.**
- n) **Recharge only with the charger specified by WORX. Do not use any charger other than that specifically provided for use with the equipment.** A charger that is suitable for one type of battery pack may create a risk of fire when used with another battery pack.
- o) **Do not use any battery pack which is not designed for use with the equipment.**
- p) **Keep battery pack out of the reach of children.**
- q) **Retain the original product literature for future reference.**
- r) **Remove the battery from the equipment when not in use.**
- s) **Dispose of properly.**

SAVE THESE INSTRUCTIONS

Instructions concerning the proper techniques for basic felling, limbing, and cross-cutting

1. Felling a tree

When bucking and felling operations are being performed by two or more persons at the same time, the felling operations should be separated from the bucking operation by a distance of at least twice the height of the tree being felled. Trees should not be felled in a manner that would endanger any person, strike any utility line or cause any property damage. If the tree does make contact with any utility line, the company should be notified immediately.

The chain saw operator should keep on the uphill side of the terrain as the tree is likely to roll or slide downhill after it is felled.

An escape path should be planned and cleared as necessary before cuts are started. The escape path should extend back and diagonally to the rear of the expected line of fall as illustrated in Figure 1.

Before felling is started, consider the natural lean of the tree, the location of larger branches and the wind direction to judge which way the tree will fall.

Remove dirt, stones, loose bark, nails, staples and wire from the tree.

2. Notching undercut

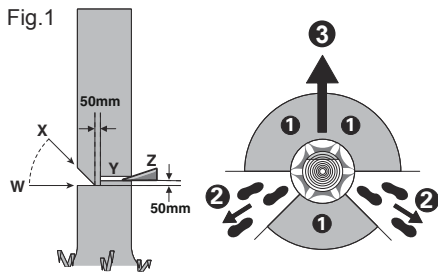
Make the notch 1/3 the diameter of the tree, perpendicular to the direction of falls as illustrated in Figure 1. Make the lower horizontal notching cut (W) first. This will help to avoid pinching either the saw chain or the guide bar when the second notch (X) is being made.

3. Felling back cut

Make the felling back cut (Y) at least 50 mm higher than the horizontal notching cut as illustrated in Figure 1. Keep the felling back cut parallel to the horizontal notching cut. Make the felling back cut so enough wood is left to act as a hinge. The hinge wood keeps the tree from twisting and falling in the wrong direction. Do not cut through the hinge. As the felling gets close to the hinge, the tree should begin to fall. If there is any chance that the tree may not fall in desired direction or it may rock back and bind the saw chain, stop cutting before the felling back cut is complete and use wedges of wood, plastic or aluminium (Z) to open the cut and drop the tree along the desired line of fall (3).

When the tree begins to fall remove the chain saw from the cut, stop the motor, put the chain saw down, then use the retreat path planned (2). Be alert for overhead limbs falling and watch your footing. (See Figure 1)

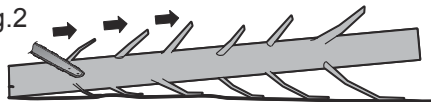
Fig.1



4. Limbing a tree

Limbing is removing the branches from a fallen tree. When limbing leave larger lower limbs to support the log off the ground. Remove the small limbs in one cut as illustrated in Figure 2. Branches under tension should be cut from the bottom up to avoid binding the chain saw.

Fig.2

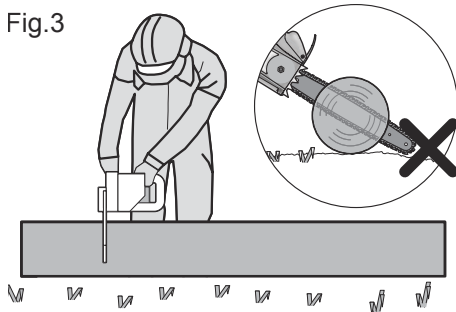


5. Bucking a log

Bucking is cutting a log into lengths. It is important to make sure your footing is firm and your weight is evenly distributed on both feet. When possible, the log should be raised and supported by the use of limbs, logs or chocks. Follow the simple directions for easy cutting.

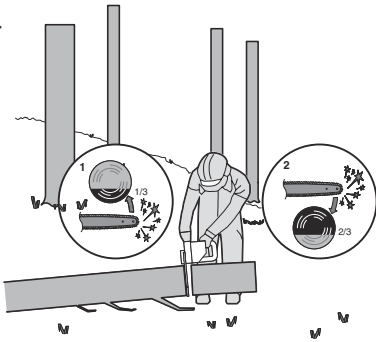
When the log is supported along its entire length as illustrated in Figure 3, it is cut from the top (overbuck), avoid contacting ground as this will greatly reduce the chain sharpness.

Fig.3



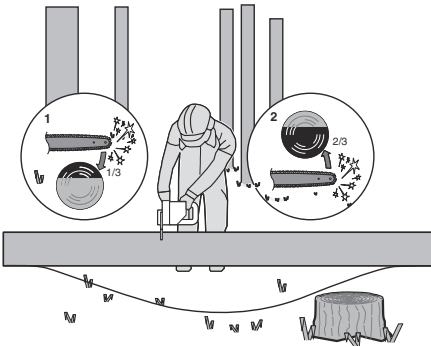
When the log is supported on one end, as illustrated in Figure 4, cut 1/3 the diameter from the underside (underbuck) (1). Then make the finished cut by overbucking (2) to meet the first cut.

Fig.4



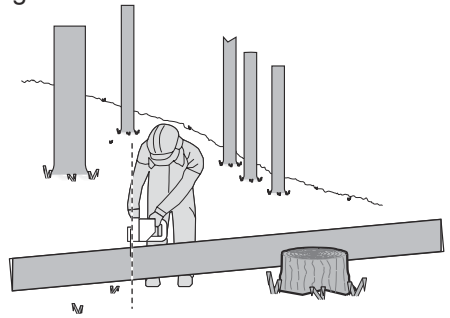
When the log is supported on both ends, as illustrated in Figure 5, cut 1/3 the diameter from the top (overbuck) (1). Then make the finished cut by underbucking (2) the lower 2/3 to meet the first cut.

Fig.5









When bucking on a slope always stand on the uphill side of the log, as illustrated in Figure 6. When "cutting through" to maintain complete control release the cutting pressure near the end of the cut without relaxing your grip on the chain saw handles. Don't let the chain contact the ground. After completing the cut, wait for the saw chain to stop before you move the chain saw. Always stop the motor before moving from tree to tree.

Fig.6



SYMBOLS

	To reduce the risk of injury, user must read instruction manual
	WARNING
	Wear ear protection
	Wear eye protection
	Wear dust mask
	Do not expose to rain
	Wear head protection
	Wear protective gloves
	Wear protective footwear

	Warning of danger from overhead electric-power lines
	Waste electrical products must not be disposed of with household waste. Please recycle where facilities exist. Check with your local authorities or retailer for recycling advice.
 Li-Ion 	Do not dispose of batteries. Return exhausted batteries to your local collection or recycling point.
	Do not burn
	Do not expose to rain or water.
	Contact of the guide bar tip with any object should be avoided.
	Tip contact can cause the guide bar to move suddenly upward and backward, which can cause serious injury
	Always use two hands when operating the chain saw
	xINR18/65-y: Cylindrical lithium Ion battery cells with max diameter of 18mm and max height of 65mm; “x” represents a number cells serial connected, blank if 1; “-y” represents a number of cells paralleled connected, blank if 1.

COMPONENT LIST

-
1. REAR HANDLE

 2. ON/OFF SWITCH

 3. OIL FILLER CAP

 4. FRONT HANDLE

 5. HAND GUARD

 6. GUIDE BAR

 7. CHAIN

 8. CHAIN TENSIONING KNOB

 9. CHAIN COVER

 10. BATTERY PACK*

 11. BATTERY PACK RELEASE BUTTON*

 12. REAR HAND GUARD

 13. BUMPER SPIKE

 14. OIL LEVEL WINDOW

 15. LOCK-OUT BUTTON

 16. DRIVE SPROCKET

 17. CHAIN DIRECTION SYMBOL

 18. OIL OUTLET

 19. BAR PAD

 20. FASTENING BAR HOLE

 21. BAR LOCATING TABS

 22. BAR AND CHAIN STORAGE/TRANSPORTATION COVER*(SHEATH)

 23. BAR TENSIONING PLATE (SEE FIG. A)

 24. EXTENSION POLE HANDLE *

 25. LOCKING KNOB*

 26. CLAMPING LEVER*

 27. INNER POLE*

 28. LOCKING KNOB*

 29. EXTENSION POLE CONNECTION BRACKET*

 30. LOCK-OUT BUTTON ON EXTENSION POLE HANDLE*


 31. ON/OFF SWITCH ON EXTENSION POLE HANDLE*

 32. SHOULDER STRAP*
-

* Not all the accessories illustrated or described are included in standard delivery.

TECHNICAL DATA

Type **WG322E WG322E.9 WG323E WG323E.9** (3 - designation of machinery, representative of chain saw and pole saw)

	WG322E	WG322E.9	WG323E	WG323E.9
Voltage	20V  Max**			
Bar length	25cm			
Chain speed	3.8m/s			
Oil tank capacity	130ml			
Chain pitch	3/8"			
Number of chain drive links	40			
Chain gauge	0.043"			
Adaptive Chain type	ES: 3/8.043-40E/ QIRUI : A0(T)-40E/ OREGON: 90PX040G			
Adaptive Bar type	ES: ES104SDEA041/ QIRUI : PO10-43SR(T) / OREGON: 104MLEA041			
Charging time	5hrs			
Weight (chain & bar included):	2.8kg	2.4kg	4.6kg	4.2kg

**Voltage measured without workload. Initial battery voltage reaches maximum of 20 volts. Nominal voltage is 18 volts.


ACCESSORIES

17

	WG322E	WG322E.9	WG323E	WG323E.9
Chain	1	1	1	1
Bar	1	1	1	1
Transportation Cover	1	1	1	1
Extension pole(WA0166)	/	/	1	1
Charger(WA3760)	1	/	1	/
Battery(WA3551)	1	/	1	/
Shoulder strap	/	/	1	1

We recommend that you purchase your accessories from the same store that sold you the tool. Refer to the accessory packaging for further details. Store personnel can assist you and offer advice.

NOISE INFORMATION

	WG322E WG322E.9	WG323E WG323E.9
A weighted sound pressure	$L_{pA} = 87.9 \text{ dB(A)}$	$L_{pA} = 85.7 \text{ dB(A)}$
A weighted sound power	$L_{wA} = 96 \text{ dB(A)}$	$L_{wA} = 96 \text{ dB(A)}$
$K_{pA} = 3.0 \text{ dB(A)}$		
Wear ear protection 		

VIBRATION INFORMATION

Vibration total values (triax vector sum) determined according to EN 60745:

Vibration emission value $a_v < 2.5 \text{ m/s}^2$	Uncertainty $K = 1.5 \text{ m/s}^2$
---	-------------------------------------

The declared vibration total value may be used for comparing one tool with another, and may also be used in a preliminary assessment of exposure.

WARNING: The vibration emission value during actual use of the power tool can differ from the declared value depending on the ways in which the tool is used dependant on the following examples and other variations on how the tool is used:

- How the tool is used and the materials being cut or drilled.
- The tool being in good condition and well maintained.
- Using the correct accessory for the tool and ensuring it is sharp and in good condition.
- The tightness of the grip on the handles and if any anti vibration accessories are used.
- And the tool is being used as intended by its design and these instructions.

This tool may cause hand-arm vibration syndrome if its use is not adequately managed

WARNING: To be accurate, an estimation of exposure level in the actual conditions of use should also take account of all parts of the operating cycle such as the times when the tool is switched off and when it is running idle but not actually doing the job. This may significantly reduce the exposure level over the total working period.

Helping to minimise your vibration exposure risk. ALWAYS use sharp chisels, drills and blades. Maintain this tool in accordance with these instructions and keep well lubricated (where appropriate).
If the tool is to be used regularly then invest in anti

vibration accessories.

Plan your work schedule to spread any high vibration tool use across a number of days.

INTENDED USE

The chain saw is intended for sawing of trees, tree trunks, branches, wooden beams, planks, etc. Cuts can be sawed with or across the grain. This product is not suitable for sawing mineral materials .

ASSEMBLY

WARNING! Do not install the battery pack before it has been completely assembled. Always use gloves when handling the chain.

CHAIN AND GUIDE BAR ASSEMBLY

- Unpack all parts carefully.
- Place the chain saw on a solid, level surface.
- Use only genuine WORX chains or those recommended for Guide Bar.
- Slide the Chain (7) in the slot around the Guide Bar (6). Ensure the Chain is in correct running direction by comparing it to the chain icon on the guide bar, or referring to the Chain Direction Symbol (17) found on the saw body. Ensure the Bar Tensioning Plate (24) is facing outward. (See Fig. A)
- Fit the Chain onto the Drive Sprocket (16), so that the Fastening Bar hole (20) and the two Bar Locating Tabs (21) on the Bar Pad (19) fit into the keyway of the opening on the Guide Bar (6). (See Fig. B1, B2)
- Assure all parts are seated properly. Make sure the drive links are fully seated in the drive sprocket (See Fig. C1), avoiding a kink as shown in Fig. C2. If kink occurs, pick up on the chain at the guide bar just ahead of the kink and then pull the kink out.

NOTE: Chain should rotate freely and be free of kinks.

- Fit the Chain Cover (9) and tighten the Chain Cover by turning the Chain Tensioning Knob (8) clockwise until it is tight. (See Fig. D)

WARNING: The chain is not yet tensioned. Tensioning the chain applies as described under "TENSIONING CHAIN". The chain now needs to be inspected to make sure it is properly tensioned.

TENSIONING CHAIN (See Fig. E1, E2)

NOTE: New saw chains will stretch. Check the chain tension frequently when first used and tighten when the Chain (7) becomes loose around the Guide Bar (6).

WARNING:

- Removing the battery pack before adjusting saw chain tension.
- Cutting edges on chain are sharp. Use protective gloves when handling chain.
- Maintain proper chain tension always. A loose chain will increase the risk of kickback. A loose chain may jump out of guide bar groove. This may injure operator and damage chain. A loose chain

will cause chain, bar, and sprocket to wear rapidly.

1. Place the chain saw on any suitable flat surface.
2. Turn the Chain Tensioning Knob (8) clockwise until it is hand tight.

NOTE: The tension is automatically increased while the Chain Tensioning Knob (8) is being turned in a clockwise direction. The built-in ratchet mechanism prevents the chain tension from loosening.

3. Tilt the saw forward (See E1) where the Guide Bar (6) tip is pushed in an upward direction. This will remove slack from the chain.
4. Fully tighten the Chain Tensioning Knob (8) by turning it clockwise.
5. Double check the tension set by the automatic Chain Tensioning Knob. The correct chain tension is reached when the Chain (7) can be raised approx. half the driveline depth from the Guide Bar (6) in the center. This should be done by using one hand to raise the chain against the weight of the machine. (See Fig. E2)

NOTE: The Chain (7) is properly tensioned when it can be lifted off of the Guide Bar (6) and the driveline is within the rail of the Guide Bar (6).

NOTE: The Chain (7) will stretch while cutting and lose proper tension. When the chain becomes loose, completely unscrew the Chain Tensioning Knob (8) or turn the knob around three full turns in a counter-clockwise direction, then retighten the Chain Tensioning Knob (8) to properly reset the chain tension by repeating Steps 1-4 listed above.

ASSEMBLING THE EXTENSION POLE (Only for WG323E, WG323E.9)

Align and insert the handle of extension pole into the shaft. Rotate the locking knob clockwise to lock. (SEE Fig. F1, F2)

NOTE: Make sure that the shaft is firmly locked in place.

ASSEMBLING THE EXTENSION POLE TO THE MACHINE (See Fig G1)

Step1: Align and insert the pole connection bracket (29) into the saw.

Step2: Turn the Locking Knob (28) counterclockwise to tighten the extension pole to the machine.

NOTE: Make sure the extension pole is locked into position securely before operation.

REMOVING THE EXTENSION POLE (See Fig. G2)

Step1: Turn the Locking Knob (28) clockwise to loosen and pull it out.

Step2: Slide saw to disconnect the extension pole with the saw.



WARNING!

• When using this machine with the Extension Pole, make sure that the battery pack has been removed.

Adjusting pole length

The pole saw has a telescoping pole assembly that will extend from 2m (fully retracted) to 2.7m (fully extended).

Clamping level (26) is used to hold the pole in position at any extended length.

1. To extend the pole, loosen the clamping lever as shown in Fig H. Pole will slide freely.
2. Pull inner pole section out to desired length of extension. Note: only extend pole to minimum length required to reach limb that is being cut.
3. To lock pole in position, tighten clamping lever as shown in Fig. H.

LUBRICATION



IMPORTANT: The chain saw is not filled with oil. It is essential to fill with oil before use. Never operate the chain saw without chain oil or at an empty oil tank level, as this will result in extensive damage to the product.

NOTE: Chain life and cutting capacity depend on optimum lubrication. Therefore, the chain is automatically oiled during operation.

FILLING OIL TANK:



WARNING: Removing the battery pack before filling the oil tank.

1. Set chain saw on any suitable surface with Oil Filler Cap (3) facing upward.
2. Clean area around the Oil Filler Cap with cloth and unscrew the cap by turning it counter clockwise.
3. Add bar and chain oil until tank is full.
4. Avoid dirt or debris entering oil tank, refit Oil Filler Cap (3) and tighten by turning clockwise until hand tight.



IMPORTANT: To allow venting of the oil tank, small breather channels are provided between the Oil Filler Cap and the strainer, to prevent leakage, and ensure machine is left in a horizontal position (Oil Filler Cap (6) uppermost) when not in use.

It is important to use only the recommended standard bar and chain oil (Grade: ISO VG32) to avoid damage to the chain saw. This can be found at the location where you purchased this saw or your local hardware store. Never use recycled/old oil. Use of non approved oil will void the warranty.

Do not swallow. If swallowed, call a physician immediately. Keep out of reach of children. Store away from heat or open flame.

CHECKING THE AUTOMATIC OILER

Proper functioning of the automatic oiler can be checked by running the chain saw and pointing the tip of the Guide chain bar (6) towards a piece of cardboard or paper on the ground. If an increasing oil pattern develops on the cardboard, the automatic oiler is operating fine. If there is no oil pattern, despite a full oil reservoir, contact WORX customer service agent or WORX approved service agent.



CAUTION: Do not touch the ground with the chain. Ensure safety clearance of 30cm.

OPERATION

1. BEFORE USING YOUR CORDLESS TOOL



WARNING! The charger and battery pack are specially designed to work together so do not attempt to use any other devices. Never insert or allow metallic objects into your charger or battery pack connections because of an electrical failure and hazard will occur.

NOTE: Your battery pack is UNCHARGED and you must charge once before use.

The battery charger supplied is matched to the Li-ion battery installed in the machine. Do not use another battery charger.

2. CHARGING YOUR BATTERY PACK

The Li-ion battery is protected against deep discharging. When the battery is empty, the machine is switched off by means of a protective circuit.

In a warm environment or after heavy use, the battery pack may become too hot to permit charging. Allow time for the battery to cool down before recharging.

3. TO REMOVE OR INSTALL BATTERY PACK (See Fig. I1, I2, I3)

Depress the Battery Pack Release Button to remove the Battery Pack from your tool. After recharging, insert the Battery Pack into the battery port. A simple push and slight pressure will be sufficient until a click is heard. Check to see if the battery is fully secured.

NOTE: When removing the battery pack, hold it firmly to avoid dropping and injury.

4. Switching on and off (See Fig. J)



ATTENTION: Check the battery pack before using your cordless tool. Only use the battery pack listed in the accessories section.

For **switching on the tool**, press the Lock-Out Button (15), then fully press the On/Off Switch (2) and hold in this position. The Lock-Out Button can now be released.

For **switching off**, release the On/Off Switch.

5. CUTTING



IMPORTANT: Is the oil tank filled? Check the Oil Level Window (14) prior to starting and regularly during operation (See Fig. K1). Refill oil when oil level is low. A full oil tank will last approx. 12 minutes of cutting depending on sawing intensity and stops.

Check recent replaced chain tension about every 10 minutes during operation.

- 1) Installing the battery pack into the machine.
- 2) Make sure section of log to be cut is not laying on the ground. This will keep the chain (7) from touching the ground as it cuts through the log. Touching the ground while the Chain is moving is dangerous and will dull the Chain.
- 3) Use both hands to grip saw. Always use left hand to grip Front Handle(4) and right hand to grip Rear

Handle (1). Use a firm grip. Thumbs and fingers must wrap around saw handles. (See Fig. K2)

- 4) Make sure your footing is firm. Keep feet-shoulder width apart. Distribute your weight evenly on both feet.
- 5) When ready to make a cut, push the Lock-Out Button (15) completely in with the right thumb and squeeze the trigger. This will turn saw on. Releasing the trigger will turn the saw off. Make sure the saw is running at full speed before starting a cut.
- 6) When starting a cut, slowly place moving chain against the wood. The wood should be as close to the saw body as possible. Hold saw firmly in place to avoid possible bouncing or skating (sideways movement) of saw.
- 7) Guide the saw using light pressure and do not put excessive force on the saw, letting the saw do its work. The motor will overload and can burn out. It will do the job better and safer at the rate for which it was intended.
- 8) Remove the saw from a cut with the saw running at full speed. Stop the saw by releasing the On/off Switch (2). Make sure the chain has stopped before setting the saw down.
- 9) Keep practicing on scrap logs in a secure working area until you are comfortable, using a fluid motion and a steady cutting rate.

Kickback Safety Devices On This Saw

This saw has a low-kickback chain and reduced kickback Guide Bar. Both items reduce the chance of kickback. However, kickback can still occur with this saw.

The following steps will reduce the risk of kickback.

- Use both hands to grip saw while saw is running. Use firm grip. Thumbs and fingers must wrap around saw handles.
- Keep all safety items in place on saw. Make sure they work properly.
- Do not overreach or cut above shoulder height.
- Keep solid footing and balance at all times.
- Stand slightly to the left side of saw. This keeps your body from being in direct line with chain.
- Do not let Guide Bar nose touch anything when chain is moving.
- Never try cutting through two logs at same time. Only cut one log at a time.
- Do not bury the Guide Bar nose or try plunge cut (boring into wood using Guide Bar nose).
- Watch for shifting of wood or other forces that may pinch chain.
- Use extreme caution when reentering a previous cut.
- Use only the low-kickback chain and Guide Bar (6) that were supplied with this chain saw or recommended.
- Never use a dull or loose chain. Keep chain sharp with proper tension.

How to use Saw Safely


1. Use the chain saw only with secure footing.
2. Hold the chain saw at the right-hand side of your

body (See Fig. L).

3. The Chain (7) must be running at full speed before it makes contact with the wood.
4. Use the Bumper Spikes (13) to secure the saw onto the wood before starting to cut.
5. Use the Bumper Spikes as a leverage point while cutting. (See Fig. M)
6. Do not operate the chain saw with arms fully extended, attempt to saw areas which are difficult to reach, or stand on a ladder while sawing (see Fig. N).

Never use the chain saw above shoulder height

CUTTING WOOD UNDER TENSION (See fig. O)

 **WARNING: When cutting a limb that is under tension, use extreme caution. Be alert for wood springing back. When wood tension is released, limb could spring back and strike operator causing severe injury or death.**

When sawing logs supported on both ends, start the cut from above (Y) about 1/3 of the diameter into the log (overbuck) and then finish the cut (Z) from below, in order to avoid contact of the chain saw with the ground. When sawing logs supported on only one end, start the cut from below (Y) about 1/3 of the diameter into the log (underbuck) and finish the cut from above (Z) in order to avoid log splitting or jamming of the chain saw.


OPERATION FOR POLE SAW (ONLY FOR WG323E, WG323E.9)

Cutting with shoulder strap (See Fig. P1)

The extension pole is supplied with a shoulder strap that gives extra support when hoisting the Pole Saw into the air. Hook the shoulder strap to the extension pole and wrap around your shoulder. The shoulder strap can also soften the impact if the Pole Saw is dropped after the completion of a cut.

Cutting with extension pole

1. Install the battery pack into the machine.
2. Before cutting a high branch, consider all the same points detailed in the previous section "Trimming Branches" but pay particular attention to the likely path of the falling branch.

 **WARNING: Do not stand directly below a branch being cut. Keep bystanders far away. Do not stand on a ladder or other type of unstable support while using the tool. Do not use the tool near cable, electrical power or telephone lines. Keep 3m (10 ft) away from all power lines. (See Fig. P2-P5)**

3. Use both hands to grip Pole Saw. Use only designated grip areas when operating Pole Saw (See Fig. P6). Use firm grip. Thumbs and fingers must wrap around Pole Saw handle and pole.
4. Make sure your footing is firm. Keep feet apart. Divide your weight evenly on both feet.
5. When ready to make a cut, press the Lock-out Button (30), then fully press the On/off Switch (31) (See Fig. P7). This will turn Pole Saw on. Releasing On/off Switch will turn Pole Saw off. Make sure

saw is running at full speed before starting a cut.

6. When starting a cut, place moving chain against wood. Hold Pole Saw firmly in place to avoid possible bouncing or skating (sideways movement) of saw.
7. Guide Pole Saw using light pressure. Do not force Pole Saw. The motor will overload and can burn out. It will do the job better and safer at the rate for which it was intended.
8. Remove Pole Saw from a cut with saw running at full speed. Stop Pole Saw by releasing trigger. Make sure chain has stopped before setting Pole Saw down.

TRIMMING A TREE (PRUNING)

 **WARNING: Avoid kickback. Kickback can result in severe injury or death.**

See Kickback, to avoid risk of kickback.

WARNING: Do not operate Pole Saw while

- in a tree
- on a ladder or any other unstable surface
- in any awkward position

You may lose control of Pole Saw causing severe injury.

 **WARNING: Do not extend arms above shoulders when using Pole Saw.**

CAUTION: Seek professional help if facing conditions beyond your ability.

Trimming a tree is the process of cutting limbs from a living tree. Make sure your footing is firm. Keep feet apart. Divide your weight evenly on both feet. Follow directions below to trim a tree.

1. Make first cut 15cm from tree trunk on underside of limb. Use top of guide bar to make this cut. Cut 1/3 through diameter of limb (See Fig. P8).
2. Move 5 to 10cm farther out on limb. Make second cut from above limb. Continue cut until you cut limb off.
3. Make third cut as close to tree trunk as possible on underside of limb stub. Use top of guide bar to make this cut. Cut 1/3 through diameter of stub.
4. Make fourth cut directly above third cut. Cut down to meet third cut. This will remove limb stub.

SAW MAINTENANCE

Follow maintenance instructions in this manual. Proper cleaning of saw and chain and Guide Bar maintenance can reduce chances of kickback. Inspect and maintain saw after each use. This will increase the service life of your saw.

NOTE: Even with proper sharpening, risk of kickback can increase with each sharpening.

MAINTENANCE AND STORAGE OF CHAIN SAW

1. **Remove the battery pack**

- When not in use
- Before moving from one place to another
- Before servicing
- Before changing accessories or attachments, such as saw chain and guard

2. Inspect chain saw before and after each use.

Check saw closely if guard or other part has been damaged. Check for any damage that may affect operator safety or operation of saw. Check for alignment or binding of moving parts. Check for broken or damaged parts. Do not use chain saw if damage affects safety or operation. Have damage repaired by authorized service center. To locate an authorized service center, visit www.worx.com

3. Maintain chain saw with care.

- Never expose saw to rain or direct moisture.
- Keep chain sharp, clean, and lubricated for better and safer performance.
- Follow steps outlined in this manual to sharpen chain.
- Keep handles dry, clean, and free of oil and grease.
- Keep all screws and nuts tight.
- Keep battery pack from heat, oil, and sharp edges.

4. When servicing, use only identical replacement parts.

5. When not in use, always store chain saw

- in a high or locked place, out of children's reach
- in a dry place
- with Bar and Chain Storage/Transportation Cover (9) in place

Bar Maintenance

To maximize bar life, the following bar maintenance is recommended.

The bar rails that carry the chain should be cleaned before storing the tool or if the bar or chain appear to be dirty.

The rails should be cleaned every time the chain is removed.

To clean the Bar rails:

1. Remove chain cover and bar and chain. (see section ASSEMBLY)
2. Using a wire brush, screwdriver or similar tool, clear the residue from the inner groove of the bar (See Fig. Q).
3. Make sure to clean oil passages thoroughly

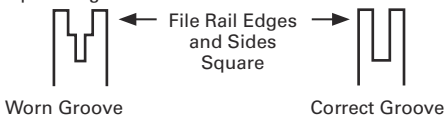
Conditions which require Chain (7) and Guide Bar (6) maintenance:

- Saw cuts to one side or at an angle.
- Saw has to be forced through the cut.
- Inadequate supply of oil to the bar and chain.

Check the condition of the guide bar each time the chain is sharpened. A worn guide bar will damage the chain and make cutting difficult.

After each use, with unit disconnected from power source, clean all sawdust from the guide bar and sprocket hole.

When rail top is uneven, use a flat file to restore square edges and sides.



Worn Groove

Correct Groove

Replace the guide bar when the groove is worn, the guide bar is bent or cracked, or when excess heating or burring of the rails occurs. If replacement is necessary, use only the guide bar specified for your saw in the repair parts list or on the decal located on the chain saw.

Replacing Bar & Chain

Replace chain when cutters are too worn to sharpen or when chain stops. Only use replacement chain noted in this manual.

Inspect Guide Bar before sharpening chain. A worn or damaged Guide Bar is unsafe. A worn or damaged Guide Bar will damage chain. It will also make cutting harder. Fit the Bar Tensioning Plate (23) Tab into the new bar by tightening the screw clockwise. The tab protrusion (a) must be fitted into the bar hole. (See Fig R)

SHARPENING SAW CHAIN

WARNING: Remove the battery pack before servicing. Severe injury or death could occur from electrical shock or body contact with moving chain.

Cutting edges on chain are sharp. Use protective gloves when handling chain.

Keep chain sharp. Your saw will cut faster and more safely. A dull chain will cause undue sprocket, guide bar, chain, and motor wear. If you must force chain into wood and cutting creates only sawdust with few large chips, chain is dull.


LUBRICATE SPROCKET

WARNING: Wear heavy duty gloves when performing any maintenance or service to this tool. Always remove the battery pack before performing any service or maintenance on this tool.

NOTE: It is not necessary to remove the chain or bar when lubricating the guide bar sprocket.

1. Clean the bar and sprocket
2. Using a grease gun, insert the tip of the gun into the lubrication hole and inject grease until it appears at the outside edge of the sprocket tip (See Fig. S).
3. To rotate the sprocket pull the chain by hand until the ungreased side of the sprocket is in line with the grease hole. Repeat the lubrication procedure.

ENVIRONMENTAL PROTECTION

 Waste electrical products must not be disposed of with household waste. Please recycle where facilities exist. Check with your local authorities or retailer for recycling advice.

TROUBLESHOOTING TABLE

The following table gives checks and actions that you can perform if your machine does not operate

correctly. If these do not identify/remedy the problem, contact your service agent. **WARNING: Switch off and remove plug from power source before investigating fault.**

Symptom	Possible Cause	Remedy
Chain saw fails to operate	Out of battery. Fuse faulty.	Charge the battery pack. Replace fuse.
Chain saw operates intermittently	Over heating Applying too much pressure while cutting. Loose connection. Internal wiring defective. On/Off switch defective.	Place the machine in a cool, ventilated place to cool it down. Applying relatively less pressure while cutting. Contact service agent. Contact service agent. Contact service agent.
Dry chain	No oil in reservoir Vent in oil filler cap clogged Oil passage clogged	Refill oil Clean cap Clean oil passage outlet
Chain/chain bar over-heats	No oil in reservoir Vent in oil filler cap clogged Oil passage clogged Chain is over tensioned Dull chain	Refill oil Clean cap Clean oil passage outlet Adjust chain tension Sharpen chain or replace
Chain saw rips, vibrates, does not saw properly	Chain tension too loose Dull chain Chain worn out Chain teeth are facing in the wrong direction	Adjust chain tension Sharpen chain or replace Replace chain Reassemble with chain in correct direction

DECLARATION OF CONFORMITY

We,
Positec Germany GmbH
Grüner Weg 10, 50825 Cologne, Germany

Declare that the product
Description **Battery-powered chain saw and pole saw**
Type **WG322E WG322E.9 WG323E WG323E.9**
(3 - designation of machinery, representative of chain saw and pole saw)
Function **Cutting wood**

Complies with the following Directives:
2006/42/EC **2014/30/EU**
2011/65/EU
2000/14/EC amended by **2005/88/EC**

The notified body involved
Name: Intertek Deutschland GmbH (Notified body 0905)
Address: Stangenstraße 1, 70771 LEINFELDEN-ECHTERDINGEN
Certification No.: 17SHW1086-01 (WG322E WG322E.9) 17SHW1166-01 (WG323E WG323E.9)

WG322E WG322E.9
2000/14/EC amended by 2005/88/EC:
- Conformity Assessment Procedure as per **Annex V**

- Measured Sound Power Level **94.7 dB(A)**
- Declared Guaranteed Sound Power Level **96 dB(A)**

WG323E WG323E.9
2000/14/EC amended by 2005/88/EC:
- Conformity Assessment Procedure as per **Annex V**
- Measured Sound Power Level **95.2 dB(A)**
- Declared Guaranteed Sound Power Level **96 dB(A)**

Standards conform to
EN 60745-1 **EN 60745-2-13**
EN ISO 3744 **EN 55014-1**
EN 55014-2 **Parts of EN ISO11680-1**

The person authorized to compile the technical file,
Name Marcel Filz
Address Positec Power Tools (Europe)Ltd,
PO Box 6242, Newbury, RG14 9LT, UK




Suzhou 2018/03/09
Allen Ding
Deputy Chief Engineer, Testing & Certification
Positec Technology (China) Co., Ltd.
18, Dongwang Road, Suzhou Industrial
Park, Jiangu 215123, P. R. China

ALLGEMEINE SICHERHEITSHINWEISE FÜR ELEKTROWERKZEUGE

 **WARNUNG! Lesen Sie alle Sicherheitshinweise und Anweisungen.**

Ver säumnisse bei der Einhaltung der Sicherheitshinweise und Anweisungen können elektrischen Schlag, Brand und/oder schwere Verletzungen verursachen.

Bewahren Sie alle Sicherheitshinweise und Anweisungen für die Zukunft auf.

Der in den Sicherheitshinweisen verwendete Begriff „Elektrowerkzeug“ bezieht sich auf akkubetriebene Elektrowerkzeuge (ohne Netzkabel).

1. ARBEITSPLATZSICHERHEIT

- a) **Halten Sie Ihren Arbeitsbereich sauber und gut beleuchtet.** Unordnung oder unbeleuchtete Arbeitsbereiche können zu Unfällen führen.
- b) **Arbeiten Sie mit dem Elektrowerkzeug nicht in explosionsgefährdeter Umgebung, in der sich brennbare Flüssigkeiten, Gase oder Stäube befinden.** Elektrowerkzeuge erzeugen Funken, die den Staub oder die Dämpfe entzünden können.
- c) **Halten Sie Kinder und andere Personen während der Benutzung des Elektrowerkzeugs fern.** Bei Ablenkung können Sie die Kontrolle über das Gerät verlieren.

2. ELEKTRISCHE SICHERHEIT

- a) **Der Anschlussstecker des Elektrowerkzeuges muss in die Steckdose passen. Der Stecker darf in keiner Weise verändert werden. Verwenden Sie keine Adapterstecker gemeinsam mit schutzgeerdeten Elektrowerkzeugen.** Unveränderte Stecker und passende Steckdosen verringern das Risiko eines elektrischen Schlages.
- b) **Vermeiden Sie Körperkontakt mit geerdeten Oberflächen wie von Rohren, Heizungen, Herden und Kühlschränken.** Es besteht ein erhöhtes Risiko durch elektrischen Schlag, wenn Ihr Körper geerdet ist.
- c) **Halten Sie Elektrowerkzeuge von Regen oder Nässe fern.** Das Eindringen von Wasser in ein Elektrowerkzeug erhöht das Risiko eines elektrischen Schlages.
- d) **Zweckfremden Sie das Kabel nicht, um das Elektrowerkzeug zu tragen, aufzuhängen oder um den Stecker aus der Steckdose zu ziehen. Halten Sie das Kabel fern von Hitze, Öl, scharfen Kanten oder sich bewegenden Geräteteilen.** Beschädigte oder verwickelte Kabel erhöhen das Risiko eines elektrischen Schlages.
- e) **Wenn Sie mit einem Elektrowerkzeug im Freien arbeiten, verwenden Sie nur Verlängerungskabel, die auch für den Außenbereich geeignet sind.** Die Anwendung

eines für den Außenbereich geeigneten Verlängerungskabels verringert das Risiko eines elektrischen Schlages.

- f) **Wenn der Betrieb des Elektrowerkzeuges in feuchter Umgebung nicht vermeidbar ist, verwenden Sie einen Fehlerstromschutzschalter.** Der Einsatz eines Fehlerstromschutzschalters vermindert das Risiko eines elektrischen Schlages.

3. SICHERHEIT VON PERSONEN

- a) **Seien Sie aufmerksam, achten Sie darauf, was Sie tun, und gehen Sie mit Vernunft an die Arbeit mit einem Elektrowerkzeug. Benutzen Sie kein Elektrowerkzeug, wenn Sie müde sind oder unter dem Einfluss von Drogen, Alkohol oder Medikamenten stehen.** Ein Moment der Unachtsamkeit beim Gebrauch des Elektrowerkzeuges kann zu ernsthaften Verletzungen führen.
- b) **Tragen Sie persönliche Schutzausrüstung und immer eine Schutzbrille.** Das Tragen persönlicher Schutzausrüstung, wie Staubmaske, rutschfeste Sicherheitsschuhe, Schutzhelm oder Gehörschutz, je nach Art und Einsatz des Elektrowerkzeuges, verringert das Risiko von Verletzungen.
- c) **Vermeiden Sie eine unbeabsichtigte Inbetriebnahme. Vergewissern Sie sich, dass das Elektrowerkzeug ausgeschaltet ist, bevor Sie es an den Akku anschließen, es aufnehmen oder tragen.** Wenn Sie beim Tragen des Elektrowerkzeuges den Finger am Schalter haben oder das Gerät eingeschaltet an die Stromversorgung anschließen, kann dies zu Unfällen führen.
- d) **Entfernen Sie Einstellwerkzeuge oder Schraubenschlüssel, bevor Sie das Elektrowerkzeug einschalten.** Ein Werkzeug oder Schlüssel, der sich in einem drehenden Geräteteil befindet, kann zu Verletzungen führen.
- e) **Vermeiden Sie eine abnormale Körperhaltung. Sorgen Sie für einen sicheren Stand und halten Sie jederzeit das Gleichgewicht.** Dadurch können Sie das Elektrowerkzeug in unerwarteten Situationen besser kontrollieren.
- f) **Tragen Sie geeignete Kleidung. Tragen Sie keine weite Kleidung oder Schmuck. Halten Sie Haare, Kleidung und Handschuhe fern von sich bewegenden Teilen.** Lockere Kleidung, Schmuck oder lange Haare können von sich bewegenden Teilen erfasst werden.
- g) **Wenn Staubabsaug- und -auffangeinrichtungen montiert werden können, vergewissern Sie sich, dass diese angeschlossen sind und richtig verwendet werden.** Verwendung einer Staubabsaugung kann Gefährdungen durch Staub verringern.

4. VERWENDUNG UND BEHANDLUNG DES ELEKTROWERKZEUGES

- a) **Überlasten Sie das Gerät nicht. Verwenden**

Sie für Ihre Arbeit das dafür bestimmte Elektrowerkzeug. Mit dem passenden Elektrowerkzeug arbeiten Sie besser und sicherer im angegebenen Leistungsbereich.

b) Benutzen Sie kein Elektrowerkzeug, dessen Schalter defekt ist. Ein Elektrowerkzeug, das sich nicht mehr ein- oder ausschalten lässt, ist gefährlich und muss repariert werden.

c) Entfernen Sie den Akku, bevor Sie Geräteeinstellungen vornehmen, Zubehörteile wechseln oder das Gerät weglegen. Diese Vorsichtsmaßnahme verhindert den unbeabsichtigten Start des Elektrowerkzeuges.

d) Bewahren Sie unbenutzte Elektrowerkzeuge außerhalb der Reichweite von Kindern auf. Lassen Sie Personen das Gerät nicht benutzen, die mit diesem nicht vertraut sind oder diese Anweisungen nicht gelesen haben. Elektrowerkzeuge sind gefährlich, wenn Sie von unerfahrenen Personen benutzt werden.

e) Pflegen Sie Elektrowerkzeuge mit Sorgfalt. Kontrollieren Sie, ob bewegliche Teile einwandfrei funktionieren und nicht klemmen, ob Teile gebrochen oder so beschädigt sind, dass die Funktion des Elektrowerkzeuges beeinträchtigt ist. Lassen Sie beschädigte Teile vor dem Einsatz des Gerätes reparieren. Viele Unfälle haben ihre Ursache in schlecht gewarteten Elektrowerkzeugen.

f) Halten Sie Schneidwerkzeuge scharf und sauber. Sorgfältig gepflegte Schneidwerkzeuge mit scharfen Schneidkanten verklemmen sich weniger und sind leichter zu führen.

g) Verwenden Sie Elektrowerkzeug, Zubehör, Einsatzwerkzeuge usw. entsprechend diesen Anweisungen. Berücksichtigen Sie dabei die Arbeitsbedingungen und die auszuführende Tätigkeit. Der Gebrauch von Elektrowerkzeugen für andere als die vorgesehenen Anwendungen kann zu gefährlichen Situationen führen.

5. VERWENDUNG UND BEHANDLUNG DES AKKUWERKZEUGS

a) Laden Sie die Akkus nur in Ladegeräten auf, die vom Hersteller empfohlen werden. Für ein Ladegerät, das für eine bestimmte Art von Akku geeignet ist, besteht Brandgefahr, wenn es mit anderen Akkus verwendet wird.

b) Verwenden Sie nur die dafür vorgesehenen Akkus in den Elektrowerkzeugen. Der Gebrauch von anderen Akkus kann zu Verletzungen und Brandgefahr führen.

c) Halten Sie den nicht benutzten Akku fern von Büroklammern, Münzen, Schlüsseln, Nägeln, Schrauben oder anderen kleinen Metallgegenständen, die eine Überbrückung der Kontakte verursachen könnten. Ein Kurzschluss zwischen den Akkukontakten kann Verbrennungen oder Feuer zur Folge haben.

d) Bei falscher Anwendung kann Flüssigkeit aus dem Akku austreten. Vermeiden Sie den Kontakt damit. Bei zufälligem Kontakt mit Wasser abspülen. Wenn die Flüssigkeit in die Augen kommt, nehmen Sie zusätzlich ärztliche Hilfe in Anspruch. Austretende Akkuflüssigkeit kann zu Hautreizungen oder Verbrennungen führen.

6. SERVICE

a) Lassen Sie Ihr Elektrowerkzeug nur von qualifiziertem Fachpersonal und nur mit Original-Ersatzteilen reparieren. Damit wird sichergestellt, dass die Sicherheit des Gerätes erhalten bleibt.

SICHERHEITSHINWEISE FÜR KETTENSÄGEN

- 1. Halten Sie bei laufender Säge alle Körperteile von der Sägekette fern. Vergewissern Sie sich vor dem Starten der Säge, dass die Sägekette nichts berührt.** Beim Arbeiten mit einer Kettensäge kann ein Moment der Unachtsamkeit dazu führen, dass Bekleidung oder Körperteile von der Sägekette erfasst werden.
- 2. Halten Sie die Kettensäge mit Ihrer rechten Hand am hinteren Handgriff und mit Ihrer linken Hand am vorderen Handgriff fest.** Das Festhalten der Kettensäge in einer anderen Arbeitshaltung erhöht das Risiko von Verletzungen und darf nicht angewendet werden.
- 3. Halten Sie das Elektrowerkzeug ausschließlich an den isolierten Griffflächen, da es vorkommen kann, dass die Kettensäge mit verdeckter Verkabelung in Berührung gerät.** Falls Kettensägen mit Strom führenden Leitern in Berührung kommen, können frei liegende Teile des Elektrowerkzeuges unter Spannung gesetzt werden und Stromschläge verursachen.
- 4. Tragen Sie Schutzbrille und Gehörschutz. Weitere Schutzausrüstung für Kopf, Hände, Beine und Füße wird empfohlen.** Passende Schutzbekleidung mindert die Verletzungsgefahr durch umherfliegendes Spanmaterial und zufälliges Berühren der Sägekette.
- 5. Arbeiten Sie mit der Kettensäge nicht auf einem Baum.** Bei Betrieb einer Kettensäge auf einem Baum besteht Verletzungsgefahr.
- 6. Achten Sie immer auf einen festen Stand und benutzen Sie die Kettensäge nur, wenn Sie auf gefestigtem, sicheren und ebenen Untergrund stehen.** Rutschiger oder instabiler Untergrund kann bei Benutzung von Leitern zum Verlust der Kontrolle über die Balance und der Kettensäge führen.
- 7. Rechnen Sie beim Schneiden eines unter Spannung stehenden Astes damit, dass dieser zurückfedert.** Wenn die Spannung in den Holzfasern freikommt, kann der gespannte

Ast die Bedienperson treffen und/oder die Kettensäge der Kontrolle entreißen.

- 8. Seien Sie besonders vorsichtig beim Schneiden von Unterholz und jungen Bäumen.** Das dünne Material kann sich in der Sägekette verfangen und auf Sie schlagen oder Sie aus dem Gleichgewicht bringen.
- 9. Tragen Sie die Kettensäge am vorderen Griff mit stillstehender Sägekette und nach hinten zeigender Führungsschiene. Bei Transport oder Aufbewahrung der Kettensäge stets die Schutzabdeckung aufziehen.** Sorgfältiger Umgang mit der Kettensäge verringert die Wahrscheinlichkeit einer versehentlichen Berührung mit der laufenden Sägekette.
- 10. Befolgen Sie Anweisungen für die Schmierung, die Kettenspannung und das Wechseln von Zubehör.** Eine unsachgemäß gespannte oder geschmierte Kette kann entweder reißen oder das Rückschlagrisiko erhöhen.
- 11. Halten Sie Griffe trocken, sauber und frei von Öl und Fett.** Fettige, ölige Griffe sind rutschig und führen zum Verlust der Kontrolle.
- 12. Nur Holz sägen. Die Kettensäge nur für Arbeiten verwenden, für die sie bestimmt ist – Beispiel: Verwenden Sie die Kettensäge nicht zum Sägen von Plastik, Mauerwerk oder Baumaterialien, die nicht aus Holz sind.** Die Verwendung der Kettensäge für nicht bestimmungsgemäße Arbeiten kann zu gefährlichen Situationen führen.

- **Halten Sie die Säge mit beiden Händen fest, wobei Daumen und Finger die Griffe der Kettensäge umschließen. Bringen Sie Ihren Körper und die Arme in eine Stellung, in der Sie den Rückschlagkräften standhalten können.** Wenn geeignete Maßnahmen getroffen werden, kann die Bedienperson die Rückschlagkräfte beherrschen. Niemals die Kettensäge loslassen.
- **Vermeiden Sie eine abnormale Körperhaltung und sägen Sie nicht über Schulterhöhe.** Dadurch wird ein unbeabsichtigtes Berühren mit der Schienenspitze vermieden und eine bessere Kontrolle der Kettensäge in unerwarteten Situationen ermöglicht.
- **Verwenden Sie stets vom Hersteller vorgeschriebene Ersatzschienen und Sägeketten.** Falsche Ersatzschienen und Sägeketten können zum Reißen der Kette oder zu Rückschlag führen.
- **Halten Sie sich an die Anweisungen des Herstellers für das Schärfen und die Wartung der Sägekette.** Zu niedrige Tiefenbegrenzer erhöhen die Neigung zum Rückschlag.

RESTRISIKEN

Auch bei der bestimmungsgemäßen Verwendung des Gerätes besteht immer ein Restrisiko, das nicht verhindert werden kann. Je nach Art und Aufbau des Gerätes können folgende Gefährdungen auftreten:

- Kontakt mit sichtbaren Sägezähnen der Sägekette (Schneidgefahren)
- Zugang zur rotierenden Sägekette (Schneidgefahr)
- Unvorhergesehene, abrupte Bewegung der Führungsschiene (Schneidgefahr)
- Aus der Sägekette herausgeschleuderte Partikel (Schneid- / Stechgefahren)
- Aus dem Werkstück herausgeschleuderte Partikel
- Hautkontakt mit dem Öl
- Verlust des Gehörs, wenn kein erforderlicher Gehörschutz während der Arbeit verwendet wird

SICHERHEITSHINWEISE FÜR JAW SAW MIT VERLÄNGERUNGSSTANGE

1. Verwenden Sie die Maschine nicht, wenn der Bediener müde oder krank ist oder unter dem Einfluss von Alkohol oder anderen Drogen steht.
2. Um Gefahren zu verringern, halten Sie bei der Arbeit an der Maschine einen sicheren Abstand zu anderen Person ein.
3. Achten Sie auf die mit den Betriebspositionen verbundenen Risiken, da die Gefahr besteht, dass der Bediener durch herabfallende Äste oder

URSACHEN UND VERMEIDUNG EINES RÜCKSCHLAGS:

Ein Rückschlag kann auftreten, wenn die Spitze der Führungsschiene einen Gegenstand berührt oder wenn das Holz sich biegt und die Sägekette im Schnitt festklemmt.

Eine Berührung mit der Schienenspitze kann in manchen Fällen zu einer unerwarteten nach hinten gerichteten Reaktion führen, bei der die Führungsschiene nach oben und in Richtung der Bedienperson geschlagen wird.

Bei Verklemmen der Sägekette an der Oberkante der Führungsschiene kann die Schiene rasch in Bedienerichtung zurückstoßen.

Jede dieser Reaktionen kann dazu führen, dass Sie die Kontrolle über die Säge verlieren und sich möglicherweise schwer verletzen. Verlassen Sie sich nicht ausschließlich auf die in der Kettensäge eingebauten Sicherheitseinrichtungen. Als Benutzer einer Kettensäge sollten Sie verschiedene Maßnahmen ergreifen, um unfall- und verletzungsfrei arbeiten zu können.

Ein Rückschlag ist die Folge eines falschen oder fehlerhaften Gebrauchs des Elektrowerkzeugs. Er kann durch geeignete Vorsichtsmaßnahmen, wie nachfolgend beschrieben, verhindert werden:

Zweige oder solche, die den Boden berühren und zurückschnellen, getroffen und verletzt wird. Entfernen Sie die Zweige in den Abschnitten.

4. Bewahren Sie beim Betrieb stets einen sicheren Stand und das Gleichgewicht. Verwenden Sie den beiliegenden Tragegurt.
5. Halten Sie einen ausreichenden Abstand zu überirdisch verlegten Stromleitungen ein.

SICHERHEITS HINWEISE FÜR AKKUPACK

- a) **Zellen bzw. Akkupack nicht zerlegen, öffnen oder zerdrücken.**
- b) **Akkupack nicht kurzschließen. Akkupacks nicht wahllos in einer Schachtel oder Schublade aufbewahren, wo sie einander kurzschließen oder durch andere leitfähige Materialien kurzgeschlossen werden könnten.** Bei Nichtverwendung des Akkupacks ist dieses von Metallgegenständen fernzuhalten, wie etwa Büroklammern, Münzen, Nägel, Schrauben oder anderen kleinen Metallgegenständen, wo sich die Batterieklemmen berühren könnten. Das Kurzschließen der Batterieklemmen kann Verbrennungen bzw. einen Brand verursachen.
- c) **Zellen bzw. Akkupacks nicht Hitze oder Feuer aussetzen. Lagerung in direktem Sonnenlicht vermeiden.**
- d) **Akkupack nicht mechanischen Stößen aussetzen.**
- e) **Im Fall, dass Flüssigkeit aus dem Akku austritt, darf diese nicht in Kontakt mit der Haut oder den Augen kommen. Sollte dies dennoch geschehen, den betroffenen Bereich sofort mit viel Wasser spülen und einen Arzt aufsuchen.**
- f) **Beim Verschlucken einer Zelle oder eines Akkupacks muss sofort ein Arzt herangezogen werden.**
- g) **Akkupack sauber und trocken halten.**
- h) **Sollten die Klemmen des Akkupacks schmutzig werden, diese mit einem sauberen, trockenen Tuch abwischen.**
- i) **Akkupack muss vor Gebrauch aufgeladen werden. Immer dieses Anweisungen beachten und den korrekten Ladevorgang ausführen.**
- j) **Akkupack bei Nichtverwendung nicht längere Zeit aufladen lassen.**
- k) **Nach längerer Lagerung des Gerätes ist es eventuell notwendig, die Zellen oder das Akkupack mehrere Male aufzuladen und zu entladen, um eine optimale Leistung zu erhalten.**
- l) **Akkupacks funktionieren bei normaler Zimmertemperatur (20°C ± 5°C) am besten.**
- m) **Beim Entsorgen von Akkupacks sollten Akkupacks mit verschiedenen elektrochemischen Systemen voneinander getrennt gehalten werden.**

- n) **Nur mit dem von WORX bezeichneten Ladegerät aufladen. Kein Ladegerät verwenden, das nicht ausdrücklich für den Gebrauch mit dem Gerät vorgesehen ist.**

Ein Ladegerät, das für eine bestimmte Art von Akkupack geeignet ist, kann bei Verwendung mit einem anderen Akkupack eine Brandgefahr darstellen.

- o) **Kein Akkupack verwenden, das nicht für den Gebrauch mit dem Gerät vorgesehen ist.**
- p) **Akkupacks von Kindern fernhalten.**
- q) **Die originalen Produktunterlagen zum späteren Nachschlagen aufbewahren.**
- r) **Den Akku bei Nichtverwendung aus dem Gerät nehmen.**
- s) **Ordnungsgemäß entsorgen.**

BEWAHREN SIE DIESE ANWEISUNGEN AUF

Grundlegende Anweisungen für korrekte Methoden zum Fällen, Entasten und Quersägen

1. Bäume fällen

Wird von zwei oder mehreren Personen gleichzeitig zugeschnitten und gefällt, so sollte der Abstand zwischen den fallenden und zuschneidenden Personen mindestens die doppelte Höhe des zu fallenden Baumes betragen. Achten Sie beim Fällen von Bäumen darauf, dass andere Personen keiner Gefahr ausgesetzt werden, keine Versorgungsleitungen getroffen und keine Sachschäden verursacht werden. Sollte ein Baum mit einer Versorgungsleitung in Berührung kommen, so ist das Energieversorgungsunternehmen sofort in Kenntnis zu setzen.

Bei Sägearbeiten am Hang sollte sich der Bediener der Kettensäge im Gelände oberhalb des zu fallenden Baum aufhalten, da der Baum nach dem Fällen wahrscheinlich bergab rollen oder rutschen wird. Vor dem Fällen sollte ein Fluchtweg geplant und wenn nötig freigemacht werden. Der Fluchtweg sollte nach hinten und diagonal zur Rückseite der erwarteten Falllinie erweitert werden, wie in Abbildung 1 dargestellt.

Vor dem Fällen ist die natürliche Neigung des Baumes, die Lage größerer Äste und die Windrichtung in Betracht zu ziehen, um die Fallrichtung des Baumes beurteilen zu können. Schmutz, Steine, lose Rinde, Nägel, Klammern und Draht sind vom Baum zu entfernen.

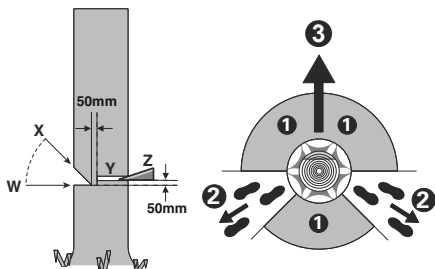
2. Kerbschnitt setzen

Setzen Sie einen Kerbschnitt, der ein Drittel des Stammdurchmessers ausmacht, im rechten Winkel zur Fallrichtung, wie in Abbildung 1 dargestellt. Zuerst den unteren waagrechten Kerbschnitt durchführen (W). Dadurch wird das Einklemmen der Sägekette oder der Führungsschiene beim Setzen des zweiten Kerbschnitts vermieden (X).

3. Fällschnitt setzen

Setzen Sie den Fällschnitt 50 mm höher als den waagerechten Kerbschnitt (Y), wie in Abbildung 1 dargestellt. Den Fällschnitt parallel zum waagerechten Kerbschnitt ausführen. Den Fällschnitt nur so tief einsägen, dass noch ein Steg (Fällleiste) stehen bleibt, der als Scharnier wirken kann. Der Steg verhindert, dass sich der Baum dreht und in die falsche Richtung fällt. Sägen Sie den Steg nicht durch. Bei Annäherung des Fällschnitts an den Steg sollte der Baum zu fallen beginnen. Wenn sich zeigt, dass der Baum möglicherweise nicht in die gewünschte Richtung fällt oder sich zurück neigt und die Sägekette festklemmt, den Fällschnitt unterbrechen und zur Öffnung des Schnitts und zum Umlegen des Baumes in die gewünschte Falllinie Keile aus Holz, Kunststoff oder Aluminium verwenden (Z) (3). Wenn der Baum zu fallen beginnt, die Kettensäge aus dem Schnitt entfernen, ausschalten, ablegen und den Gefahrenbereich über den geplanten Fluchtweg verlassen (2). Auf herunterfallende Äste achten und nicht stolpern. (Siehe Abb. 1)

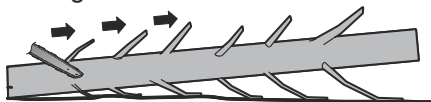
Abbildung.1



4. Entasten

Hierunter versteht man das Abtrennen der Äste vom gefällten Baum. Beim Entasten größere nach unten gerichtete Äste, die den Baum stützen, vorerst stehen lassen. Entfernen Sie die kleinen Äste wie in Abbildung 2 dargestellt in einem Schnitt. Äste, die unter Spannung stehen, sollten von unten nach oben gesägt werden, um ein Einklemmen der Säge zu vermeiden.

Abbildung.2

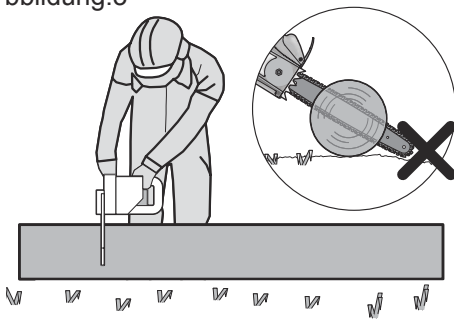


5. Baumstamm ablängen

Hierunter versteht man das Teilen des gefällten Baumes in Abschnitte. Achten Sie auf Ihren sicheren Stand und die gleichmäßige Verteilung Ihres Körpergewichts auf beide Füße. Falls möglich, sollte der Stamm durch Äste, Balken oder Keile unterlegt und gestützt sein. Folgen Sie den einfachen Anweisungen für leichtes Sägen. Wenn der Baumstamm wie in Abbildung 3 dargestellt

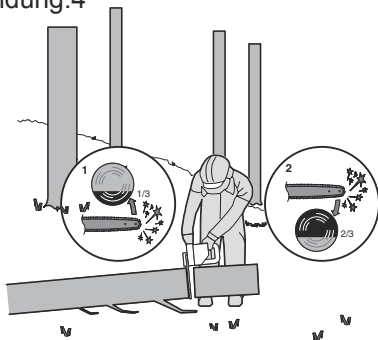
auf seiner gesamten Länge abgestützt ist, muss er von oben geschnitten werden (Vorhandschnitt), vermeiden Sie Kontakt mit dem Boden, da die Kettenschärfe dadurch erheblich beeinträchtigt wird.

Abbildung.3



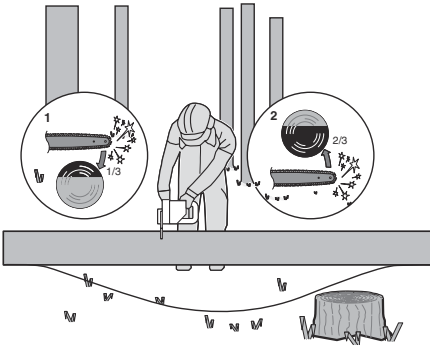
Wenn der Baumstamm gemäß Abbildung 4 an einem Ende abgestützt ist, schneiden Sie ein Drittel des Stammdurchmessers von unten ein (Rückhandschnitt) (1). Führen Sie anschließend den endgültigen Schnitt im Vorhandschnitt durch (2), um auf den ersten zu treffen.

Abbildung.4



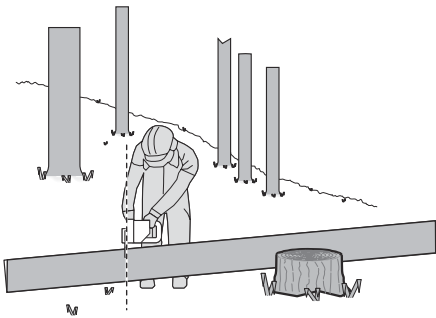
Wenn der Baumstamm gemäß Abbildung 5 an beiden Enden abgestützt ist, sägen Sie ein Drittel des Stammdurchmessers von oben ein (Vorhandschnitt) (1). Führen Sie anschließend den endgültigen Schnitt (2) durch, indem Sie die unteren zwei Drittel des Stammes von unten sägen, um auf den ersten Schnitt zu treffen.

Abbildung.5



Wenn Sie sich beim Sägen auf einer Neigung befinden, stehen Sie immer auf der hangaufwärts gerichteten Seite des Baumstammes, gemäß Abbildung 6. Um im Moment des "Durchsägens" die volle Kontrolle zu behalten, gegen Ende des Schnitts den Anpressdruck reduzieren, ohne den festen Griff an den Handgriffen der Kettensäge zu lösen. Darauf achten, dass die Sägekette nicht den Boden berührt. Nach Fertigstellung des Schnitts den Stillstand der Sägekette abwarten, bevor man die Kettensäge dort entfernt. Den Motor der Kettensäge immer ausschalten, bevor man von Baum zu Baum wechselt.

Abbildung.6



SYMBOLE

	Zur Reduzierung der Verletzungsgefahr bitte die Bedienungsanleitung durchlesen.
	WARNUNG

	Tragen Sie einen Gehörschutz
	Tragen Sie eine Schutzbrille
	Tragen Sie eine Staubmaske
	Vor Regen und Feuchtigkeit schützen
	Tragen Sie Schutzausrüstung für den Kopf.
	Tragen Sie Schutzhandschuhe
	Tragen Sie Schutzstiefel.
	Warnung vor Gefahren durch überirdisch verlegte Stromleitungen.
	Elektroprodukte dürfen nicht mit dem normalen Haushaltsmüll entsorgt werden, sondern sollten nach Möglichkeit zu einer Recyclingstelle gebracht werden. Ihre zuständigen Behörden oder Ihr Fachhändler geben Ihnen hierzu gerne Auskunft.
	Akku nicht im Haushaltsmüll entsorgen. Bringen Sie den leeren/ defekten Akku zu Ihrer lokalen Sammel- oder Recyclingstelle
	Nicht verbrennen



Vor Regen und Feuchtigkeit schützen



Kontakt der Kettenschwert-Spitze mit anderen Objekten vermeiden.



Bei Kontakt an der Spitze kann das Kettenschwert plötzlich nach oben oder hinten schnellen, dies kann zu schweren Verletzungen führen.



Die Kettensäge immer mit zwei Händen verwenden.

xINR18/65-y: Zylindrische Lithium-Ionen-Akkuzellen mit einem max. Durchmesser von 18 mm und einer Höhe von 65 mm, "x" ist die Zahl der in Reihe geschalteten Zellen, wenn leer = 1 ; "-y" ist die die Zahl der parallel geschalteten Zellen, wenn leer = 1 .

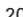
KOMPONENTEN

1. HINTERER HANDGRIFF
2. EIN-/AUSSCHALTER
3. ÖLTANKVERSCHLUSS
4. VORDERER HANDGRIFF
5. HANDSCHUTZ
6. SCHWERT
7. SÄGEKETTE
8. KETTENSPIANNKNOFF
9. ABDECKUNG
10. AKKU *
11. AKKUVERRIEGELUNG *
12. HINTERER HANDSCHUTZ
13. ANSCHLAGKRALLE
14. ÖLSTANDSANZEIGE
15. EINSCHALTSPERRE
16. KETTENRAD
17. LAUFRICHTUNGS- UND SCHNEIDRICHTUNGSSYMBOL
18. ÖLDÜSE
19. KRALLANANSLAG
20. BOHRUNG FÜR BEFESTIGUNGSSCHIENE
21. SCHWERT-FÜHRUNGSSTEG
22. * SCHNEIDGARNITUR-AUFBEWAHRUNG/TRANSPORTABDECKUNG*(BLATTSCHNEIDE)
23. KETTENSPIANNERBEFESTIGUNG (SIEHE ABB. A)
24. GRIFF FÜR VERLÄNGERUNGSSTANGE
25. VERRIEGELUNGSKNOFF*
26. KLEMMHEBEL*
27. INNERE STANGE*
28. VERRIEGELUNGSKNOFF*
29. ANSCHLUSSBACKE FÜR VERLÄNGERUNGSSTANGE*
30. ARRETIERUNGSTASTE FÜR VERLÄNGERUNGSSTANGENGRIFF*
31. EIN/AUS-SCHALTER AM VERLÄNGERUNGSSTANGENGRIFF*
32. SCHULTERRIEMEN*

* Abgebildetes oder beschriebenes Zubehör gehört teilweise nicht zum Lieferumfang.

TECHNISCHE DATEN

Typ **WG322E WG322E.9 WG323E WG323E.9** (3 - Bezeichnung des Gerätes, Vertreter der Kettensäge und des Hoch-Entasters)

	WG322E	WG322E.9	WG323E	WG323E.9
Nennspannung	20V  Max**			
Schwertlänge	25cm			
Kettengeschwindigkeit	3.8m/s			
Füllmenge Öl-Vorratsbehälter	130ml			
Kettenteilung	3/8"			
Anzahl der Treibglieder	40			
Kettenbreite	0.043"			
Adaptiver Kettentyp	ES: 3/8.043-40E/ QIRUI : A0(T)-40E/ OREGON: 90PX040G			
Adaptiver Stangentyp	ES: ES104SDEA041/ QIRUI : PO10-43SR(T) / OREGON: 104MLEA041			
Ladezeit	5hrs			
Gewicht (inkl. Ketten & Schwert)	2.8kg	2.4kg	4.6kg	4.2kg

**Spannung ohne Arbeitslast gemessen. Anfangsakkuspannung erreicht maximal 20 Volt. Nennspannung ist 18 Volt.

ZUBEHÖRTEILE

	WG322E	WG322E.9	WG323E	WG323E.9
Sägekette	1	1	1	1
Schiene	1	1	1	1
Transportabdeckung	1	1	1	1
Verlängerung (WA0166)	/	/	1	1
Ladegerät (WA3760)	1	/	1	/
Akku (WA3551)	1	/	1	/
Schulterriemen	/	/	1	1

Wir empfehlen Ihnen, sämtliche Zubehörteile beim selben Fachhändler zu beziehen, bei dem Sie auch Ihr Elektrowerkzeug gekauft haben. Weitere Informationen finden Sie auf der Verpackung der Zubehörteile. Auch Ihr Fachhändler berät Sie gerne.

INFORMATIONEN ÜBER LÄRM

	WG322E WG322E.9	WG323E WG323E.9
Gewichteter Schalldruck	$L_{pA} = 87.9 \text{ dB(A)}$	$L_{pA} = 85.7 \text{ dB(A)}$
Gewichtete Schallleistung	$L_{wA} = 96 \text{ dB(A)}$	$L_{wA} = 96 \text{ dB(A)}$

$K_{pA} = 3.0 \text{ dB(A)}$

Tragen Sie einen Gehörschutz.



INFORMATIONEN ÜBER VIBRATIONEN

Vibrations gesamt messwertermittlung gemäß EN 60745:

Vibrationsemissionswert $a_{11} < 2.5 \text{ m/s}^2$	Unsicherheit $K = 1.5 \text{ m/s}^2$
---	---

Der angegebene Gesamtvibrationswert kann zum Vergleich eines Werkzeugs mit einem anderen und auch zur vorläufigen Expositionsbewertung verwendet werden.

! WARNUNG: Der Vibrationsemissionswert kann während des tatsächlichen Gebrauchs des Elektrowerkzeugs vom angegebenen Wert abweichen, je nachdem, wie das Werkzeug gemäß folgenden Beispielen und weiteren Verwendungsmöglichkeiten eingesetzt wird:

Die Verwendung des Werkzeugs und die Art, wie die Materialien geschnitten oder angebohrt werden. Der Pflege- und Wartungszustand des Werkzeugs. Die Verwendung des richtigen Zubehörs und dessen Schärfe und Zustand. Die Festigkeit der Handgriffe und die Benutzung von Antivibrationszubehör. Der bestimmungsgemäß eund diesen Anweisungen entsprechende Gebrauch.

Wird dieses Werkzeug nicht angemessen gehandhabt, kann es zum Auftreten des Hand-Arm-Vibrationssyndroms kommen.

! WARNUNG: Sie sollten die tatsächlichen Arbeitsabschnitte genau ermitteln, um so den Belastungsgrad abzuschätzen. Auf diese Weise kann der Belastungsgrad während der gesamten Arbeitszeit möglicherweise wesentlich gemindert werden. So minimieren Sie das Risiko, dem Sie bei Vibrationen ausgesetzt sind. Verwenden Sie IMMER scharfe Meißel, Bohrer und Sägeblätter. Pflegen Sie dieses Werkzeug den Anweisungen

entsprechend und achten Sie stets auf eine gutes Einfetten (an erforderlichen Stellen). Bei regelmäßiger Verwendung von Elektrowerkzeug sollten Sie in Antivibrationszubehör investieren. Erstellen Sie einen Arbeitsplan, um die Verwendung von hochvibrierenden Werkzeugen auf mehrere Tage zu verteilen.

BESTIMMUNGSGEMÄSSER GEBRAUCH

Die Kettensäge ist für das Sägen von Bäumen bestimm, Baumstämme, Äste, Balken, Bohlen, etc. Cuts kann mit oder quer zur Faser gesägt werden. Dieses Produkt eignet sich nicht für das Sägen von mineralischen Stoffen.

MONTAGE

! WARNUNG! Legen Sie das Akkupack nicht ein, bevor es vollständig montiert wurde.

Bei Handhabung der Sägekette stets Schutzhandschuhe tragen.

MONTAGE VON SCHWERT UND SÄGEKETTE

1. Alle Teile vorsichtig auspacken.
2. Stellen Sie die Kettensäge auf eine stabile, ebene Oberfläche.
3. Verwenden Sie nur Original WORX-Ketten oder solche, die für die Führungsschiene ausgelegt sind. Die Sägekette (7) in die umlaufende Nut des Schwertes (6) einlegen. Stellen Sie sicher, dass die Kette in der korrekten Laufrichtung ist, indem Sie diese mit dem Kettensymbol auf der Führungsschiene vergleichen, bzw. beachten Sie das Kettenrichtungssymbol (17) auf dem Sägegehäuse. Achten Sie darauf, dass die Kettenspannerbefestigung (23) nach außen zeigt. (Siehe Abb. A)
5. Die Kettenlieder um das Kettenrad (16) so legen, dass der Befestigungsbolzen (20) und die beiden Schwert-Führungsstege (21) in das Langloch (19) des Schwertes passen (6). (Siehe B1, B2)
6. Prüfen Sie, ob alle Teile gut platziert sind. Stellen Sie sicher, dass die Antriebsglieder vollständig im Antriebsrad (Siehe Abb. C1) einrasten, vermeiden Sie Knicke wie in Abb. C2. Wird ein Knick erkannt, heben Sie die Kette auf der Führungsschiene exakt über dem Knick an, und ziehen Sie ihn heraus.

HINWEIS: Die Kette muss sich frei drehen können und darf keine Knicke aufweisen.

7. Montieren Sie den Kettenschutz (9) und ziehen Sie diesen fest, indem Sie den Kettenspannungs-Einstellknopf (8) im Uhrzeigersinn drehen, bis er fest ist. (Siehe Abb. D)

! WARNUNG: Die Kette ist noch nicht gespannt. Spannen Sie die Kette wie unter „Spannen der Sägekette“ beschrieben. Überprüfen Sie nun, dass die Kette richtig gespannt ist.

SPANNEN DER SÄGEKETTE (SIEHE ABB. E1, E2)

HINWEIS: Neue Sägeketten können sich dehnen.

Prüfen Sie die Kettenspannung nach der ersten Nutzung regelmäßig und ziehen Sie die Kette (7) fest, wenn Sie sich um die Führungsschiene (6) löst.



WARNUNG:

- Entfernen Sie den Akku vom Gerät, bevor Sie die Kettenspannung einstellen.
- Die Schneidezähne der Kette sind scharf. Verwenden Sie Schutzhandschuhe beim Handhaben der Kette.
- Achten Sie stets auf eine ordnungsgemäße Kettenspannung. Eine lose Kette erhöht das Risiko eines Rückschlags. Eine lose Kette kann aus der Kettenführung springen. Dies kann zu Verletzungen und Kettenbeschädigungen führen. Eine lose Kette führt zu erhöhtem Verschleiß von Kette, Kettenschwert und Kettenrad.

1. Legen Sie die Kettensäge auf einer geeigneten flachen Oberfläche ab.
2. Den Kettenspannknopf (8) im Uhrzeigersinn drehen, bis die richtige Kettenspannung erreicht ist.

HINWEIS: Die Spannung wird automatisch erhöht, wenn der Ratschenmechanismus (8) im Uhrzeigersinn gedreht wird. Der Ratschenmechanismus verhindert ein Nachlassen der Kettenspannung.

3. Kippen Sie die Säge nach vorn (Siehe Abb. E1), wobei die Spitze der Führungsschiene (6) nach oben gerichtet ist. Somit wird der Durchhang der Kette entfernt.
4. Ziehen Sie den Kettenspannknopf (8) durch Drehen im Uhrzeigersinn vollständig fest.
5. Die vom automatischen Kettenspannknopf eingestellte Spannung nochmals überprüfen. Die korrekte Kettenspannung ist erreicht, wenn die Kette (7) in der Mitte ca. um die Hälfte der Antriebsglied-Tiefe von der Führungsschiene (6) abgehoben werden kann. Das sollte mit einer Hand erfolgen, um die Maschine gegen das Gewicht der Maschine anzuheben. (Siehe Abb. E2)

HINWEIS: Die Kette (7) ist ordnungsgemäß gespannt, wenn diese von der Führungsschiene (6) abgehoben werden kann und sich das Antriebsglied innerhalb der Führung der Führungsschiene (6) befindet.

HINWEIS: Die Kette (7) wird sich beim Schneiden dehnen und die korrekte Spannung verlieren. Wenn sich die Kette lockert, schrauben Sie den Kettenspannknopf (8) vollständig ab oder drehen Sie den Einstellknopf drei volle Umdrehungen gegen den Uhrzeigersinn; ziehen Sie den Kettenspannknopf (8) anschließend wieder fest, um die Kettenspannung zurückzusetzen, indem Sie die oben aufgeführten Schritte 1-4 wiederholen.

MONTIEREN DER VERLÄNGERUNG (nur bei WG323E, WG323E.9)

Richten Sie den Griff der Verlängerungsstange aus, und setzen Sie diese in den Schaft ein. Drehen Sie den Verriegelungsknopf zum Arretieren im Uhrzeigersinn. (Siehe Abb. F1, F2)

HINWEIS: Stellen Sie sicher, dass der Schaft fest arretiert ist.

MONTAGE DER VERLÄNGERUNGSSTANGE AN DER MASCHINE (Siehe Abb. G1)

Schritt 1: Richten Sie die Halterung für den Stangenanschluss (29) aus, und setzen Sie diese in die Säge ein.

Schritt 2: Drehen Sie den Verriegelungsknopf (28) gegen den Uhrzeigersinn, um die Verlängerungsstange an der Maschine festzuziehen.

HINWEIS: Stellen Sie vor dem Betrieb sicher, dass die Verlängerungsstange in Position arretiert ist.

AUSBAU DER VERLÄNGERUNGSSTANGE (Siehe Abb. G2)

Schritt 1: Drehen Sie den Verriegelungsknopf (28) zum Lösen im Uhrzeigersinn, und ziehen Sie diesen heraus.

Schritt 2: Schieben Sie die Säge, um die Verlängerungsstange von der Säge zu trennen.



WARNUNG!

• Wenn Sie diese Maschine mit der Verlängerungsstange verwenden, stellen Sie sicher, dass das Akkupack entfernt wurde.

Stangenlänge einstellen

Der Hoch-Entaster verfügt über eine Teleskopstange, die von 2m (vollständig eingefahren) auf 2.7m (vollständig ausgefahren) erweitert werden kann. Der Klemmhebel (26) wird verwendet, um die Stange in beliebiger Länge in Position zu halten.

1. Um die Stange zu verlängern, lösen Sie den Klemmhebel wie in Abb. H dargestellt. Die Stange wird frei gleiten.
2. Ziehen Sie die innere Stange bis zur gewünschten Verlängerung heraus. Hinweis: Verlängern Sie die Stange nur bis zur Mindestlänge, die zum Schneiden der Äste zwingend erforderlich ist.
3. Um die Stange in Position zu fixieren, ziehen Sie den Klemmhebel wie in Abb. H dargestellt fest.

KETTENSCHMIERUNG



WICHTIG: Die Kettensäge wird nicht mit Sägekettenhaftöl befüllt geliefert. Es ist wichtig sie vor dem Gebrauch mit Öl zu füllen. Die Benutzung der Kettensäge ohne Sägekettenhaftöl oder bei einem Ölstand unterhalb der Minimum- Markierung führt zur Beschädigung der Kettensäge.

HINWEIS: Die Lebensdauer und Schnittleistung der Kette hängt von der optimalen Schmierung ab. Deswegen wird während des Betriebes automatisch mit Sägekettenhaftöl geschmiert.

ÖLTANK FÜLLEN:



WARNUNG: Entfernen Sie das Akkupack, bevor Sie den Öltank befüllen.

1. Die Kettensäge mit dem Öltankverschluss (3) nach oben auf einer geeigneten Unterlage abstellen.
2. Mit einem Lappen den Bereich um den Öltankverschluss säubern und den Verschluss aufschrauben.
3. Geben Sie Kettensägenöl hinzu, bis der Tank voll ist.

4. Darauf achten, dass kein Schmutz in den Öltank gelangt, bringen Sie den Öltankverschluss (3) wieder an, und ziehen Sie ihn im Uhrzeigersinn mit der Hand fest.



WICHTIG: Um den Luftaustausch zwischen Öltank und Umgebung zu ermöglichen, sind am Öltankverschluss kleine Ausgleichskanäle vorhanden. Um

einen Ölaustritt zu vermeiden immer darauf achten, dass die Säge bei Nichtgebrauch waagrecht abgestellt wird (Öltankverschluss (3) zeigt nach oben).

Ausschließlich empfohlenes, biologisch abbaubares Haftöl verwenden, um eine Beschädigung der Kettensäge zu vermeiden. (Grade: ISO VG32). Dieses finden Sie bei der Verkaufsstelle, in der Sie diese Säge erworben haben oder im Eisenwarenhandel vor Ort. Niemals recyceltes Öl oder Altlöl verwenden. Bei Verwendung von nicht zugelassenem Öl erlischt die Garantie.

Nicht verschlucken. Beim Verschlucken muss sofort ein Arzt aufgesucht werden. Darf nicht in die Hände von Kindern gelangen. Lagern Sie es entfernt von Wärmequellen oder offenem Feuer.

ÜBERPRÜFEN DER AUTOMATISCHEN ÖLVORRICHTUNG

Die einwandfreie Funktion der automatischen Ölvorrichtung lässt sich leicht überprüfen, in dem man die Kettensäge mit der Spitze der Führungsschiene (6) über einem auf den Boden gelegten Bogen Karton oder Papier laufen lässt. Bildet sich ein großer werdender Ölfleck auf dem Papier, so arbeitet die Ölvorrichtung einwandfrei. Bildet sich trotz eines gefüllten Ölbehälters kein Ölfleck, so setzen Sie sich mit ihrem Worx-Händler oder einem von WORX zugelassenen Kundendienst in Verbindung.



VORSICHT: Achten Sie darauf, dass die Kette nicht den Boden berührt. Halten Sie einen Sicherheitsabstand von etwa 30 cm ein.

BETRIEB

1. EHE SIE IHR AKKU-WERKZEUG BENUTZEN



WARNUNG! Das Ladegerät und der Akku sind aufeinander abgestimmt und sollten nur gemeinsam verwendet werden. Versuchen Sie nicht, andere Geräte oder Akkus zu verwenden. Achten Sie darauf, dass keine Metallteile o. ä. die Anschlüsse des Ladegeräts oder des Akkus berühren; andernfalls kann es zu einem gefährlichen Kurzschluss kommen.

HINWEIS: Der Akku ist NICHT GELADEN und muss vor dem ersten Gebrauch aufgeladen werden. Das mitgelieferte Akku-Ladegerät ist dem in der Maschine eingebauten Lithium-Ionen-Akku angepasst. Verwenden Sie kein anderes Akku-Ladegerät.

2. LADEN DES AKKUS

Der Lithium-Ionen-Akku ist gegen übermäßiges Entladen geschützt. Wenn der Akku leer ist, wird die Maschine von einem Schutzkreis ausgeschaltet. In einer warmen Umgebung oder nach extremem Gebrauch könnte der Akku zu heiss geworden sein, um einen Ladevorgang einzuleiten. Lassen Sie den Akku sich erst gut abkühlen, bevor Sie ihn aufladen.

3. ANBRINGEN UND ENTFERNEN DES AKKUS (Siehe Abb. I1, I2, I3)

Drücken Sie auf den Verschlussknopf des Batteriefachs ihres Werkzeugs. Öffnen Sie das Fach, nehmen Sie den Akku heraus und setzen Sie ihn in das Ladegerät ein. Setzen Sie den Akku, nachdem er voll geladen ist, wieder in das Batteriefach ein. Durch leichten Druck rastet der Akku mit einem hörbaren Klick ein. Überprüfen Sie, dass der Akku wirklich fest sitzt.

HINWEIS: Halten Sie das Akkupack beim Herausnehmen fest, um zu vermeiden, dass Sie es fallen lassen und sich verletzen.

4. Ein- und Ausschalten (Siehe Abb. J)



ACHTUNG: Prüfen Sie das Akkupack, bevor Sie Ihr Akku-Werkzeug verwenden. Verwenden Sie nur das Akkupack, das im Zubehörbereich aufgelistet ist.

Zur Inbetriebnahme des Gerätes die Einschaltsperr (15) eindrücken, dann den Ein-/Ausschalter (2) durchdrücken und in dieser Stellung festhalten. Die Einschaltsperr kann jetzt losgelassen werden. Zum Ausschalten den Ein-/Ausschalter loslassen.

5. ARBEITEN



WICHTIG: Ist der Öltank gefüllt? Die Ölstandsanzeige (14) vor der Arbeit und regelmäßig während der Arbeit überprüfen. (Siehe Abb. K1) Das Öl nachfüllen, wenn der Ölpegel die Unterkante im Sichtfenster erreicht hat. Die Füllung reicht für ca. 12 Minuten, abhängig von den Pausen und der Intensität der Arbeit.

Die Kettenspannung während dem Sägen alle 10 Minuten überprüfen.

- 1) Einsetzen des Akkus in die Säge.
- 2) Achten Sie darauf, dass das zu sägende Holz beim Sägen nicht auf dem Boden liegt, damit die Kette (7) beim Austreten aus dem Holz nicht mit dem Boden in Berührung kommt. Das Berühren des Bodens mit der in Bewegung befindlichen Kette ist einmal gefährlich und macht andererseits die Kette sehr schnell stumpf.
- 3) Greifen Sie die Säge fest mit beiden Händen. Greifen Sie mit der linken Hand immer die vordere (4) und mit der rechten Hand immer die hintere (1) Griffposition. Halten Sie sie kräftig fest. Mit Daumen und Finger die Griffe jederzeit umschließen. (Siehe Abb. K2)
- 4) Vergewissern Sie sich, dass Sie einen festen Stand haben. Stehen Sie breitbeinig. Verteilen Sie ihr Gewicht gleichmäßig auf beide Füße.
- 5) Wenn Sie bereit für den ersten Schnitt sind,

drücken Sie den Entriegelungsknopf (15) mit dem rechten Daumen ganz hinein und betätigen dann den Einschalter. Hierdurch wird die Säge eingeschaltet. Wird der Einschalter wieder freigegeben, wird die Säge ausgeschaltet. Vergewissern Sie sich, bevor Sie zu sägen anfangen, dass die Säge mit voller Drehzahl läuft.

- 6) Führen Sie bei Arbeitsbeginn die laufende Säge langsam an das Holz heran. Das Holz sollte sich so nahe wie möglich am Sägegehäuse befinden. Halten Sie die Säge gut fest, damit sie nicht zurückspringen oder seitlich ausweichen kann.
- 7) Führen Sie die Säge mit leichtem Druck, vermeiden Sie zu starken Druck, und lassen Sie die Säge die Arbeit verrichten, da der Motor dann überlastet werden und durchbrennen kann. Die Säge arbeitet effizienter, wenn sie mit hoher Drehzahl läuft.
- 8) Nehmen Sie die Säge nur bei voller Drehzahl aus dem Schnitt. Stillgesetzt wird die Säge in dem Sie den Ein-/Ausschalter freigegeben (2). Legen Sie die Säge erst ab, wenn die Kette völlig zum Stillstand gekommen ist.
- 9) Üben Sie in einem sicheren Arbeitsbereich an Reststücken, bis Sie sich damit vertraut gemacht haben, nutzen Sie flüssige Bewegungen und konstante Schnittgeschwindigkeiten.

Rückschlagsicherung der Säge

Sägeketten und Führungsschiene der Säge sind rückschlagarm ausgeführt, so dass Rückschläge weitgehend vermieden werden aber unter bestimmten Umständen doch möglich sind. Zur Vermeidung eines Rückschlages beachten Sie die folgenden Punkte:

- Greifen Sie die Säge, wenn sie läuft, mit beiden Händen. Halten Sie sie kräftig fest. Mit Daumen und Finger die Griffe jederzeit umschließen.
- Entfernen Sie an der Säge keine Sicherheitseinrichtungen. Prüfen Sie, ob sie alle korrekt arbeiten.
- Arbeiten Sie mit der Kettensäge nicht mit ausgestreckten Armen und nicht über Schulterhöhe.
- Sorgen Sie für einen sicheren Stand und halten Sie jederzeit das Gleichgewicht.
- Stehen Sie (als Rechtshänder) immer etwas links neben der Kettensäge, sodass ihr Körper sich nicht direkt in einer Linie mit der Kette befindet.
- Achten Sie darauf, dass die Kettenführung nichts berührt, wenn sich die Kette bewegt.
- Versuchen Sie nie zwei Stämme gleichzeitig zu durchtrennen. Zersägen Sie immer nur einen Stamm nach dem anderen.
- Sägen Sie nie mit der Kettenführungsspitze und versuchen Sie keinen Eintauchschnitt (die Spitze der Kettenführung in das Holz bohren).
- Achten Sie auf die Bewegung des geschnittenen Astes und auf andere Kräfte, die dazu führen könnten, dass sich der Schnittspalt schließt und die Kette einklemmt oder dass Holz in die laufende Kette fällt.
- Arbeiten Sie mit höchster Vorsicht, wenn Sie

die Säge in einen vorhandenen Schnittspalt einführen.

- Arbeiten Sie nur mit rückschlagarmen Ketten und Führungsschienen (6), wie sie für diese Kettensäge geliefert werden.
- Niemals mit lockerer, ausgeweiteter oder stark verschlissener Sägekette arbeiten.

Sichere Benutzung der Säge

1. Arbeiten Sie mit der Kettensäge nur dann, wenn sie einen sicheren Stand haben.
2. Halten Sie die Kettensäge immer seitlich von Ihrem Körper (Siehe Abb. L).
3. Die Sägekette (7) muss mit voller Geschwindigkeit laufen wenn sie das Holz berührt.
4. Verwenden Sie die Krallen (13), um die Säge auf dem Holz zu fixieren, bevor Sie den Schnitt starten.
5. Nutzen Sie die Anschlagkrallen beim Schneiden als Hebelpunkt. (Siehe Abb. M)
6. Arbeiten Sie nie mit ausgestreckten Armen mit der Kettensäge. Versuchen Sie nicht an schwierig zu erreichenden Stellen zu sägen und benutzen Sie die Kettensäge nicht, wenn Sie auf einer Leiter stehen. (Siehe Abb. N).

Verwenden Sie die Kettensäge niemals über Schulterhöhe.

SÄGEN VON HOLZ UNTER SPANNUNG (SIEHE ABB. O)



ACHTUNG: Beim Sägen von unter Spannung stehendem Holz, Ästen oder Bäumen besteht erhöhte Unfallgefahr.

Hier ist äußerste Vorsicht geboten. Machen Sie sich beim Durchtrennen eines Astes unter Spannung auf das Zurückschnellen gefasst. Sobald die Spannung in den Holzfasern freigesetzt wird, kann der Ast den Bediener treffen und/oder gegen das Gerät schlagen und dieses außer Kontrolle bringen.

Liegt Holz auf beiden Seiten auf, zuerst von oben (Y) ein Drittel des Durchmessers durch den Stamm schneiden (Vorhandschritt) und dann von unten (Z) an gleicher Stelle den Stamm durchtrennen, um Splittern und Festklemmen der Säge zu vermeiden. Dabei den Kontakt der Sägekette mit dem Boden vermeiden. Liegt das Holz nur einseitig auf, zuerst von unten (Y) ein Drittel des Durchmessers nach oben sägen (Rückhandschnitt) und dann an gleicher Stelle von oben (Z) den Stamm durchtrennen, um Splittern und Festklemmen der Säge zu vermeiden.

BEDIENUNG DES HOCH-ENTASTERS (NUR BEI WG323E, WG323E.9)

Schneiderarbeiten mit Schulterriemen (Siehe Abb. P1)

Der Verlängerungsschaft wird mit einem Schulterriemen geliefert, der beim Anheben der Kettensäge für zusätzliche Stabilität sorgt. Haken Sie den Schulterriemen am Verlängerungsschaft ein, schlingen Sie den Riemen um Ihre Schulter. Der Schulterriemen hilft auch, die Kettensäge nach dem Durchtrennen von Ästen besser halten zu können, da er einen Teil des Gerätegewichtes auffängt.

Schneiden mit Verlängerungsstange

1. Einsetzen des Akkus in die Säge.
2. Bedenken Sie, bevor Sie einen hohen Ast absägen, alle Punkte, die im vorhergehenden Absatz "Äste beschneiden" detailliert beschrieben wurden, aber achten Sie besonders auf den Weg, den der herabstürzende Ast nehmen wird.



WARNUNG: Stellen Sie sich nie unter den Ast, den Sie absägen wollen. Achten Sie darauf, dass andere Personen Abstand halten. Stellen Sie sich nicht auf eine Leiter oder einen anderen nicht stabilen Gegenstand, wenn Sie die Säge benutzen. Verwenden Sie die Säge nicht in der Nähe von Kabeln, Überlandleitungen oder Telefonkabeln. Halten Sie zu allen Stromleitungen 3 Meter Abstand. (Siehe Abb. P2-P5)

3. Greifen Sie die Säge fest mit beiden Händen. Verwenden Sie nur die ausgewiesenen Griffbereiche zur Bedienung des Hoch-Entasters (Siehe Abb. P6). Halten Sie sie kräftig fest. Mit Daumen und Finger die Griffe jederzeit umschließen.
4. Vergewissern Sie sich, dass Sie einen festen Stand haben. Stehen Sie breitbeinig. Verteilen Sie ihr Gewicht gleichmäßig auf beide Füße.
5. Wenn Sie bereit für den ersten Schnitt sind, drücken Sie den Entriegelungsknopf (30) mit, drücken Sie dann den Ein-/Aus-Schalter (31) vollständig durch (Siehe Abb. P7). Hierdurch wird die Säge eingeschaltet. Wird der Einschalter wieder freigegeben, wird die Säge ausgeschaltet. Vergewissern Sie sich, bevor Sie zu sägen anfangen, dass die Säge mit voller Drehzahl läuft.
6. Führen Sie bei Arbeitsbeginn die laufende Säge langsam an das Holz heran. Halten Sie die Säge gut fest, damit sie nicht zurückspringen oder seitlich ausweichen kann.
7. Führen Sie die Säge mit leichtem Druck, vermeiden Sie zu starken Druck, da der Motor dann überlastet werden und durchbrennen kann. Die Säge arbeitet effizienter, wenn sie mit hoher Drehzahl läuft.
8. Nehmen Sie die Säge nur bei voller Drehzahl aus dem Schnitt. Stillgesetzt wird die Säge in dem Sie den Ein-/Aus-Schalter freigegeben. Legen Sie die Säge erst ab, wenn die Kette völlig zum Stillstand gekommen ist.

TRIMMEN EINES BAUMS (ENTASTEN)



WARNUNG: Vermeiden Sie Rückschläge. Der Rückschlag kann zu schweren Siehe „Rückschlag“, um die Rückschlaggefahr einzudämmen.

WARNUNG: Bedienen Sie den Hoch-Entaster nicht, während Sie

- in einem Baum sind
- auf einer Leiter oder anderen instabilen Oberfläche stehen
- sich in einer ungewöhnlichen Position befinden

Sie können die Kontrolle über den Hoch-Entaster verlieren und sich schwere

Verletzungen zuziehen.



WARNUNG: Reichen Sie beim Einsatz des Hoch-Entasters mit den Armen nicht über Schulterhöhe hinaus.

VORSICHT: Suchen Sie professionelle Hilfe auf, wenn Sie Bedingungen vorfinden, die Ihre Fähigkeiten übersteigen.

Das Trimmen eines Baums ist ein Prozess, bei dem Äste von einem lebenden Baum geschnitten werden. Vergewissern Sie sich, dass Sie einen festen Stand haben. Stehen Sie breitbeinig. Verteilen Sie ihr Gewicht gleichmäßig auf beide Füße.

Halten Sie sich an die nachfolgenden Anweisungen, um den Baum zu trimmen.

1. Führen Sie den ersten Schnitt 15 cm vom Baumstamm unterhalb des Astes durch. Nutzen Sie die Oberseite der Führungsschiene, um diesen Schnitt durchzuführen. Schneiden Sie 1/3 durch den Astdurchmesser (Siehe Abb. P8).
2. Bewegen Sie sich 5 bis 10 cm weiter vom Ast weg. Führen Sie einen zweiten Schnitt über dem Ast durch. Fahren Sie fort, bis der Ast abgeschnitten wurde.
3. Machen Sie einen Schnitt so nahe wie möglich am Baumstamm, auf der Unterseite des Stumpfes. Nutzen Sie die Oberseite der Führungsschiene, um diesen Schnitt durchzuführen. Schneiden Sie 1/3 durch den Durchmesser des Stumpfes.
4. Führen Sie einen vierten Schnitt direkt oberhalb des dritten Schnitts durch. Schneiden Sie nach unten, um den dritten Schnitt zu treffen. Dadurch wird der Aststumpf entfernt.

WARTUNG DER SÄGE

Befolgen Sie die in dem Handbuch aufgeführten Wartungshinweise. Regelmäßiges Säubern von Säge und Kette sowie die Wartung der Kettenführung kann die Gefahr von Rückschlägen reduzieren. Inspizieren und warten Sie die Säge nach jedem Gebrauch. Hierdurch können Sie die Lebensdauer der Säge verlängern.

HINWEIS: Selbst bei korrektem Nachschleifen steigt das Risiko von Rückschlägen mit jedem Schärfen.

WARTUNG UND LAGERUNG DER KETTENSÄGE

1. Entfernen Sie den Akkupack von der Säge

- wenn sie nicht verwendet wird
- ehe Sie die Säge transportieren
- bevor sie gewartet wird.
- vor dem Austauschen von Zubehör oder Aufsätzen, wie etwa der Sägekette und der Führungsschiene.

2. Inspizieren Sie die Säge vor und nach jedem Gebrauch.

Überprüfen Sie sorgfältig, ob eine Schutzvorrichtung oder ein sonstiges Teil der Säge beschädigt ist. Überprüfen Sie die Säge auf Schäden, die die Sicherheit des Bedieners oder

die Funktionsfähigkeit der Säge beeinträchtigen können. Überprüfen Sie die Ausrichtung und Kopplung von beweglichen Teilen. Überprüfen Sie die Säge auf beschädigte oder gebrochene Teile. Verwenden Sie keine Kettensäge, deren Sicherheit oder Funktionsfähigkeit durch beschädigte Teile beeinträchtigt ist. Lassen Sie Beschädigungen von einem zugelassenen Kundendienst beheben. Unsere zugelassenen Kundendienst finden auf der Webseite www.worx.com

3. Halten Sie Ihre Kettensäge immer in einwandfreiem Pflegezustand.

- Setzen Sie die Säge niemals Regen oder direkter Feuchtigkeit aus.
- Sorgen Sie dafür, dass die Kette scharf, sauber und geölt ist, um eine gute, sichere Funktion zu gewährleisten.
- Folgen Sie den hier beschriebenen Schritten, wenn Sie die Kette schärfen wollen.
- Halten Sie alle Griffe sauber, trocken und frei von Öl und Fett.
- Sorgen Sie dafür, dass alle Schrauben und Muttern fest angezogen sind.

4. Verwenden Sie bei der Wartung nur Originalersatzteile.

5. Lagern Sie die Kettensäge bei Nichtgebrauch an einem geeigneten trockenen Ort.

- An einem hohen oder verschleißbaren Platz, außerhalb der Reichweite von Kindern
- An einem trockenen Platz
- Mit installierter Schiene und Kettenabdeckung (9)

Wartung der Führungsschiene

Damit Ihre Führungsschiene eine möglichst lange Gebrauchsdauer erreicht, werden folgende Wartungsarbeiten empfohlen:

Die Führungsschiene, auf der die Kette läuft, muss vor dem Einlagern oder wenn die Kette oder die Führungsschiene verschmutzt ist, gereinigt werden. Ferner sollten die Führungsschiene bei jedem Abnehmen der Kette gesäubert werden.

Reinigen der Führungsschiene:

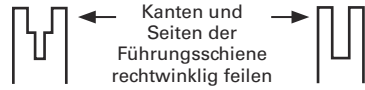
1. Bauen Sie die Kettenabdeckung, die Führungsschiene und die Kette ab. (siehe Abschnitt Zusammenbau)
2. Mit einer Drahtbürste, einem schmalen Schraubendreher oder einem ähnlichen Werkzeug werden dann alle Rückstände in der Führungsnut und von der Führungsschiene entfernt. (Siehe Abb. Q)
3. Achten Sie auch darauf, dass alle Ölbohrungen sorgfältig gereinigt werden.

Zustände, die eine Wartung der Kette (7) und Führungsschiene (6) erfordern:

- Sägeschnitte einseitig oder im Winkel.
- Die Säge muss durch den Schnitt gedrückt werden.
- Unzureichende Ölversorgung von Führungsschiene und Kette.

Überprüfen Sie bei jedem Schärfen der Kette auch den Zustand der Führungsschiene. Eine ausgearbeitete Führungsschiene führt zur Beschädigung der Kette und erschwert das Sägen.

Nach jedem Gebrauch sollte das gesamte Gerät, insbesondere das Kettenradgehäuse und die Führungsschiene, bei ausgebaute Batterie, von allen Sägemehlrückständen gereinigt werden. Unebenheiten der Laufschiene der Kette sind mit einer feinen Flachfeile so zu beheben, dass wieder rechtwinklige Kanten und Seiten vorhanden sind.



Ausgearbeitete Nut Einwandfreie Nut

Ist die Führungsnut verschlissen, die Führungsschiene verbogen oder gerissen oder tritt übermäßige Erhitzung oder Gratbildung an der Führungsschiene auf, muss das diese ausgewechselt werden. Es darf nur eine in der Ersatzteilliste oder auf dem Aufkleber an der Säge für dieses Gerät zugelassene Führungsschiene verwendet werden.

Sägekette und Schwert auswechseln/wenden

Tauschen Sie die Kette aus, wenn die Messer zu verschlissen sind oder die Kette gebrochen ist. Verwenden Sie nur die in diesem Handbuch erwähnten Ketten.

Inspizieren Sie die Kettenführung bevor Sie die Kette nachschleifen. Eine verschlissene oder beschädigte Führung ist nicht sicher. Eine verschlissene oder beschädigte Führung kann die Kette beschädigen. Befestigen Sie die Kettenspannungsbefestigung am neuen Schwert (23), indem Sie die Schraube im Uhrzeigersinn festziehen. Der Vorsprung (a) muss in die Nut des Schwertes passen. (Siehe Abb. R)

SCHÄRFEN DER SÄGEKETTE



Achtung: Entfernen Sie den Akkupack vor Reparaturarbeiten vom Gerät. Anderenfalls kann es zu schweren

Verletzungen oder zum Tod durch Stromschlag und Kontakt mit der laufenden Kette kommen. Die Schneidzähne der Kette sind scharf. Verwenden Sie Schutzhandschuhe beim Handhaben der Kette.

Halten Sie Schneidwerkzeuge scharf und sauber. Ihre Säge schneidet schneller und sicherer. Eine stumpfe Kette kann Zähne abbrechen sowie Kettenführung, Kette und Motor verschleifen. Wenn Sie die Kette in das Holz zwingen müssen und es entstehen große Sägespäne, ist die Kette stumpf.

SCHMIEREN DES KETTENRADES



ACHTUNG: Tragen Sie bei der Wartung der Kettensäge feste Arbeitshandschuhe. Entfernen Sie das Akkupack aus dem Werkzeug, bevor Sie Einstellungen, Service- oder Wartungsarbeiten daran durchführen.

HINWEIS: Beim Schmieren des Antriebsrads ist es nicht notwendig, die Kette oder Schiene zu entfernen.

1. Reinigen Sie die Schiene und das Antriebsrad.
2. Verwenden Sie eine Fettpresse, und führen Sie die Spitze dieser in die Schmierbohrung ein. Spritzen Sie Schmierfett ein, bis es an der

Außenkante der Antriebsradspitze austritt. (Siehe Abb. S)

- Um das Antriebsrad zu drehen, ziehen Sie die Kette mit der Hand, bis die noch nicht geschmierte Seite des Antriebsrads mit der Schmierbohrung ausgerichtet ist. Wiederholen Sie das Verfahren für die Schmierung.

UMWELTSCHUTZ



Elektroprodukte dürfen nicht mit dem normalen Haushaltsmüll entsorgt werden, sondern sollten nach Möglichkeit zu einer Recyclingstelle gebracht werden. Ihre zuständigen Behörden oder Ihr Fachhändler geben Ihnen hierzu gerne Auskunft.

PROBLEMLÖSUNG

Wenn Ihr Elektrowerkzeug nicht einwandfrei funktioniert, zeigt Ihnen die folgende Tabelle Fehlersymptome, mögliche Ursachen sowie Maßnahmen zur Abhilfe. Können Sie damit das Problem nicht identifizieren und beseitigen, wenden Sie sich an Ihre Service-Werkstatt.

ACHTUNG: Schalten Sie vor der Fehlersuche das Elektrowerkzeug aus und entnehmen Sie den Akku.

Symptome	Mögliche Ursache	Abhilfe
Kettensäge funktioniert nicht..	Akku leer. Sicherung defekt.	Akkupack aufladen. Sicherung wechseln.
Kettensäge arbeitet intermittierend.	Überhitzung Beim Sägen zu viel Druck ausgeübt. Lose Verbindung. Interner Wackelkontakt. Ein-/Ausschalter defekt.	Bringen Sie die Maschine in einen kühlen, belüfteten Raum, um diese abzukühlen. Wenden Sie beim Sägen verhältnismäßig weniger Druck an. Kundendienst aufsuchen. Kundendienst aufsuchen. Kundendienst aufsuchen.
Sägekette trocken.	Kein Öl im Öltank. Entlüftung im Öltankverschluss verstopft. Ölausflusskanal verstopft.	Öl nachfüllen. Öltankverschluss reinigen. Ölausflusskanal frei machen.
Kette/Führungsschiene heiß.	Kein Öl im Öltank. Entlüftung im Öltankverschluss verstopft. Ölausflusskanal verstopft. Kettenspannung zu hoch. Kette stumpf.	Öl nachfüllen. Öltankverschluss reinigen. Ölausflusskanal frei machen. Kettenspannung einstellen. Kette nachschleifen oder ersetzen.
Kettensäge rupft, vibriert oder sägt nicht richtig.	Kettenspannung zu locker. Kette stumpf. Kette verschlissen. Sägezähne zeigen in die falsche Richtung.	Kettenspannung einstellen. Kette nachschleifen oder ersetzen. Kette ersetzen. Sägekette neu montieren mit Zähnen in korrekter Richtung.

KONFORMITÄTSERKLÄRUNG

WIR,
Positec Germany GmbH
Grüner Weg 10, 50825 Cologne, Germany

Erklären hiermit, dass unser Produkt
Beschreibung **Batteriebetriebene Kettensäge
und Hoch-Entaster**
Typ **WG322E WG322E.9 WG323E WG323E.9**
(3 - Bezeichnung des Gerätes, Vertreter der
Kettensäge und des Hoch-Entasters)
Funktionen **Holz sägen**

Den Bestimmungen der folgenden Richtlinien
entspricht:
2006/42/EC
2014/30/EU
2011/65/EU
2000/14/EC geändert durch 2005/88/EC

Zertifizierungsstelle
**Name: Intertek Deutschland GmbH (notifizierte
Stelle 0905)**
**Anschrift: Stangenstraße 1, 70771
LEINFELDEN-ECHTERDINGEN**
**Bescheinigungsnummer: 17SHW1086-01
(WG322E WG322E.9) 17SHW1166-01
(WG323E WG323E.9)**

WG322E WG322E.9

2000/14/EC geändert durch 2005/88/EC:
- Konformitätsbewertungsverfahren nach **Anhang V**
- Gemessene Schallleistung **94.7 dB(A)**
- Garantierte Schallleistung **96 dB(A)**

WG323E WG323E.9

2000/14/EC geändert durch 2005/88/EC:
- Konformitätsbewertungsverfahren nach **Anhang V**
- Gemessene Schallleistung **95.2 dB(A)**
- Garantierte Schallleistung **96 dB(A)**


Werte nach,
EN 60745-1
EN 60745-2-13
EN ISO 3744
EN 55014-1
EN 55014-2
Teile von EN ISO11680-1

Zur Kompilierung der technischen Datei ermächtigte
Person,
Name: Marcel Filz
**Anschrift: Positec Germany GmbH,
Grüner Weg 10, 50825 Cologne,
Germany**



2018/03/09
Allen Ding
Stellvertretender Chefsingenieur, Prüfung und
Zertifizierung
Positec Technology (China) Co., Ltd.
18, Dongwang Road, Suzhou Industrial
Park, Jiangsu 215123, P. R. China

AVERTISSEMENTS DE SÉCURITÉ GÉNÉRAUX POUR L'OUTIL

 **AVERTISSEMENT!** Lire tous les avertissements de sécurité et toutes les instructions. Ne pas suivre les avertissements et instructions peut donner lieu à un choc électrique, un incendie et/ou une blessure sérieuse.

Conserver tous les avertissements et toutes les instructions pour pouvoir s'y reporter ultérieurement.

Le terme «outil» dans les avertissements fait référence à votre outil électrique alimenté par le secteur (avec cordon d'alimentation) ou votre outil fonctionnant sur batterie (sans cordon d'alimentation).

1. SÉCURITÉ DE LA ZONE DE TRAVAIL

- a) **Conserver la zone de travail propre et bien éclairée.** Les zones en désordre ou sombres sont propices aux accidents.
- b) **Ne pas faire fonctionner les outils électriques en atmosphère explosive, par exemple en présence de liquides inflammables, de gaz ou de poussières.** Les outils électriques produisent des étincelles qui peuvent enflammer les poussières ou les fumées.
- c) **Maintenir les enfants et les personnes présentes à l'écart pendant l'utilisation de l'outil.** Les distractions peuvent vous faire perdre le contrôle de l'outil.

2. SÉCURITÉ ÉLECTRIQUE

- a) **Il faut que les fiches de l'outil électrique soient adaptées au socle. Ne jamais modifier la fiche de quelque façon que ce soit. Ne pas utiliser d'adaptateurs avec des outils à branchement de terre.** Des fiches non modifiées et des socles adaptés réduiront le risque de choc électrique.
- b) **Éviter tout contact du corps avec des surfaces reliées à la terre telles que les tuyaux, les radiateurs, les cuisinières et les réfrigérateurs.** Il existe un risque accru de choc électrique si votre corps est relié à la terre.
- c) **Ne pas exposer les outils à la pluie ou à des conditions humides.** La pénétration d'eau à l'intérieur d'un outil augmentera le risque de choc électrique.
- d) **Ne pas maltraiter le cordon. Ne jamais utiliser le cordon pour porter, tirer ou débrancher l'outil. Maintenir le cordon à l'écart de la chaleur, du lubrifiant, des arêtes ou des parties en mouvement.** Des cordons endommagés ou emmêlés augmentent le risque de choc électrique.
- e) **Lorsqu'on utilise un outil à l'extérieur, utiliser un prolongateur adapté à l'utilisation extérieure.** L'utilisation d'un cordon adapté à l'utilisation extérieure réduit le risque de choc électrique.

- f) **Si l'usage d'un outil dans un emplacement humide est inévitable, utiliser une alimentation protégée par un dispositif à courant différentiel résiduel (DDR).** L'usage d'un DDR réduit le risque de choc électrique.

3. SÉCURITÉ DES PERSONNES

- a) **Restez vigilant, regardez ce que vous êtes en train de faire et faites preuve de bon sens dans votre utilisation de l'outil. Ne pas utiliser un outil lorsque vous êtes fatigué ou sous l'emprise de drogues, d'alcool ou de médicaments.** Un moment d'inattention en cours d'utilisation d'un outil peut entraîner des blessures graves des personnes.
- b) **Utiliser un équipement de sécurité. Toujours porter une protection pour les yeux.** Les équipements de sécurité tels que les masques contre les poussières, les chaussures de sécurité antidérapantes, les casques ou les protections acoustiques utilisés pour les conditions appropriées réduiront les blessures de personnes.
- c) **Éviter tout démarrage intempestif. S'assurer que l'interrupteur est en position arrêt avant de brancher l'outil au secteur et/ou au bloc de batteries, de le ramasser ou de le porter.** Porter les outils en ayant le doigt sur l'interrupteur ou brancher des outils dont l'interrupteur est en position marche est source d'accidents.
- d) **Retirer toute clé de réglage avant de mettre l'outil en marche.** Une clé laissée fixée sur une partie tournante de l'outil peut donner lieu à des blessures de personnes.
- e) **Ne pas se précipiter. Garder une position et un équilibre adaptés à tout moment.** Cela permet un meilleur contrôle de l'outil dans des situations inattendues.
- f) **S'habiller de manière adaptée. Ne pas porter de vêtements amples ou de bijoux. Garder les cheveux, les vêtements et les gants à distance des parties en mouvement.** Des vêtements amples, des bijoux ou les cheveux longs peuvent être pris dans des parties en mouvement.
- g) **Si des dispositifs sont fournis pour le raccordement d'équipements pour l'extraction et la récupération des poussières, s'assurer qu'ils sont connectés et correctement utilisés.** Utiliser des collecteurs de poussière peut réduire les risques dus aux poussières.

4. UTILISATION ET ENTRETIEN DE L'OUTIL

- a) **Ne pas forcer l'outil. Utiliser l'outil adapté à votre application.** L'outil adapté réalisera mieux le travail et de manière plus sûre au régime pour lequel il a été construit.
- b) **Ne pas utiliser l'outil si l'interrupteur ne permet pas de passer de l'état de marche à arrêt et vice versa.** Tout outil qui ne peut pas être commandé par l'interrupteur est dangereux et il faut le réparer.
- c) **Débrancher la fiche de la source d'alimentation en courant et/ou le bloc**

de batteries de l'outil avant tout réglage, changement d'accessoires ou avant de ranger l'outil. De telles mesures de sécurité préventives réduisent le risque de démarrage accidentel de l'outil.

- d) **Conserver les outils à l'arrêt hors de la portée des enfants et ne pas permettre à des personnes ne connaissant pas l'outil ou les présentes instructions de le faire fonctionner.** Les outils sont dangereux entre les mains d'utilisateurs novices.
- e) **Observer la maintenance de l'outil. Vérifier qu'il n'y a pas de mauvais alignement ou de blocage des parties mobiles, des pièces cassées ou toute autre condition pouvant affecter le fonctionnement de l'outil. En cas de dommages, faire réparer l'outil avant de l'utiliser.** De nombreux accidents sont dus à des outils mal entretenus.
- f) **Garder affûtés et propres les outils permettant de couper.** Des outils destinés à couper correctement entretenus avec des pièces coupantes tranchantes sont moins susceptibles de bloquer et sont plus faciles à contrôler.
- g) **Utiliser l'outil, les accessoires et les lames etc., conformément à ces instructions, en tenant compte des conditions de travail et du travail à réaliser.** L'utilisation de l'outil pour des opérations différentes de celles prévues pourrait donner lieu à des situations dangereuses.

5. UTILISATION DES OUTILS FONCTIONNANT SUR BATTERIES ET PRÉCAUTIONS D'EMPLOI

- a) **Ne recharger qu'avec le chargeur spécifié par le fabricant.** Un chargeur qui est adapté à un type de bloc de batteries peut entraîner un risque d'incendie lorsqu'il est utilisé avec un autre type de bloc de batteries.
- b) **N'utiliser les outils qu'avec des blocs de batteries spécifiquement désignés.** L'utilisation de tout autre bloc de batteries peut entraîner un risque de blessure et d'incendie.
- c) **Lorsqu'un bloc de batteries n'est pas utilisé, le maintenir à l'écart de tout autre objet métallique, par exemple trombones, pièces de monnaie, clés, clous, vis ou autres objets de petite taille qui peuvent donner lieu à une connexion d'une borne à une autre.** Le court-circuitage des bornes d'une batterie entre elles peut causer des brûlures ou un incendie.
- d) **Dans de mauvaises conditions, du liquide peut être éjecté de la batterie; éviter tout contact. En cas de contact accidentel, nettoyer à l'eau. Si le liquide entre en contact avec les yeux, rechercher en plus une aide médicale.** Le liquide éjecté des batteries peut causer des irritations ou des brûlures.

6. MAINTENANCE ET ENTRETIEN

- A) **Faire entretenir l'outil par un réparateur qualifié uniquement des pièces de rechange identiques.** Cela assurera le maintien de la sécurité de l'outil.

AVERTISSEMENTS DE SÉCURITÉ DE LA SCIE À CHAÎNE

1. **Tenir toutes les parties du corps à distance de la chaîne, lorsque la tronçonneuse tourne. Avant la mise en service, s'assurer que la chaîne ne touché rien.** Lors du travail avec la tronçonneuse, dans un moment d'inattention, des vêtements ou des parties du corps peuvent être happés par la chaîne.
2. **Tenir la tronçonneuse à chaîne à deux mains, la main droite sur la poignée arrière et la main gauche sur la poignée avant.** Une autre position de travail lors de la mise en service de la tronçonneuse à chaîne n'est pas admissible, vue que cela augmenterait le risque de blessures.
3. **Saisissez toujours la scie par ses points isolés, au cas où la chaîne heurterait des câbles électriques cachés.** En cas de contact avec un câble "sous tension", les parties métalliques de la machine s'électrisent immédiatement, exposant alors l'utilisateur à un risque d'électrocution.
4. **Porter des lunettes de protection ainsi qu'une protection acoustique. Nous conseillons également le port d'un équipement de protection pour la tête, les mains, les jambes et les pieds.** Des vêtements de protection appropriés diminuent le risque de blessure par les copeaux projetés dans tous les sens ou par un contact intempestif avec la chaîne de la scie.
5. **Ne travaillez pas sur un arbre avec la tronçonneuse.** En cas d'utilisation de la tronçonneuse sur un arbre, il y a risque de blessures.
6. **Toujours veiller à garder une position stable et équilibrée et n'utiliser la tronçonneuse que lorsque vous vous trouvez sur un sol ferme et plan.** Si vous utilisez une échelle, un sol glissant ou instable peut entraîner une perte de contrôle de l'équilibre et de la tronçonneuse.
7. **Lors de la coupe d'une branche tendre, s'attendre à ce qu'elle revienne comme un ressort.** Quand la tension dans les fibres de bois se relâche, la branche sous tension peut frapper l'utilisateur et/ou lui faire perdre le contrôle de la tronçonneuse.
8. **Être spécialement vigilant lors de la coupe de broussailles et de jeunes arbres.** Les branches fines peuvent être happées par la tronçonneuse et vous frapper ou vous faire perdre l'équilibre.
9. **Porter la tronçonneuse par la poignée avant, la chaîne étant à l'arrêt et le rail de guidage orienté vers l'arrière. Lors du transport ou le stockage de la tronçonneuse, toujours placer le capot de protection.** En utilisant la tronçonneuse avec précaution, il y a peu de risque de toucher par mégarde la chaîne en rotation.
10. **Suivre les instructions concernant le**

graissage, le serrage de la chaîne et le remplacement d'accessoires. Une chaîne qui n'est pas tendue ou graissée comme il faut peut se rompre ou augmenter le risque d'un contrecoup.

- 11. Maintenir les poignées sèches, propres et exemptes de graisse et d'huile.** Les poignées couvertes de graisse et d'huile sont glissantes et entraînent une perte de contrôle.
- 12. Ne scier que du bois. N'utiliser la tronçonneuse que pour les travaux pour lesquels elle est conçue – par exemple : Ne jamais utiliser la tronçonneuse pour scier des matières plastiques, de la maçonnerie ou des matériaux de construction qui ne sont pas en bois.** L'utilisation de la tronçonneuse pour des travaux non conformes peut entraîner des situations dangereuses.

RAISONS POSSIBLES D'UN CONTRECOUP ET MOYENS DE L'ÉVITER :

Un contrecoup peut se produire si la pointe du rail de guidage touche un objet ou que le bois s'arque et que la tronçonneuse se coince dans le tracé.

Dans certains cas, un contact avec la pointe du rail peut entraîner une réaction inattendue vers l'arrière, pendant laquelle le rail de guidage se dirige vers le haut dans la direction de l'utilisateur.

Un coinçage de la chaîne au niveau du bord supérieur du rail de guidage peut tout à coup repousser le rail vers l'arrière en direction de l'utilisateur.

Chacune de ces réactions peut entraîner une perte de contrôle de la tronçonneuse et causer des blessures graves. Ne pas se fier exclusivement aux dispositifs de sécurité incorporés dans la tronçonneuse. L'utilisateur d'une tronçonneuse doit prendre différentes mesures pour pouvoir travailler sans risque d'accidents et de blessures.

Un contrecoup est la suite d'une mauvaise utilisation ou d'une utilisation incorrecte de l'appareil électroportatif. Il peut être évité en respectant les précautions décrites ci-dessous :

- **Tenir la tronçonneuse des deux mains, le pouce et les doigts entourant les poignées de la tronçonneuse. Mettre votre corps et vos bras dans une position qui vous permettra de résister aux forces exercées par un contrecoup.** Si des mesures appropriées ont été prises, l'utilisateur peut contrôler les forces exercées par un contrecoup. Ne jamais lâcher la tronçonneuse.
- **Éviter les positions du corps anormales et ne pas scier en levant les bras au-dessus des épaules.** Ceci permet d'éviter un contact accidentel avec la pointe du rail et assure un meilleur contrôle de la tronçonneuse dans des situations inattendues.
- **Toujours utiliser les rails de rechange et chaînes indiqués par le fabricant.** D'autres

rails et chaînes peuvent entraîner une rupture de la chaîne ou un contrecoup.

- **Suivre les instructions du fabricant concernant l'affûtage et l'entretien de la tronçonneuse.** Les limiteurs de profondeur trop bas augmentent les risques de contrecoup.

RISQUES RÉSIDUELS

Même avec l'utilisation prévue de l'appareil, il existe toujours un risque résiduel qui ne peut être évité. Selon le type et la construction de l'appareil, les risques potentiels suivants pourraient s'appliquer :

- Contact avec les dents de scie exposées de la chaîne de sciage (risques de coupe)
- Accès à la chaîne de sciage rotative (risques de coupe)
- Mouvement imprévu et brutal de la barre de guidage (risques de coupe)
- Les pièces projetées de la chaîne de sciage (risques de coupe / d'injection)
- Les pièces projetées de l'ouvrage
- Contact cutané avec l'huile
- Perte d'audition, si aucune protection auditive requise n'est utilisée pendant le travail

CONSIGNES DE SÉCURITÉ POUR LA TRONÇONNEUSE À PERCHE

1. N'utilisez pas la machine en cas de fatigue, de maladie ou sous l'influence de l'alcool ou d'autres drogues.
2. Pour réduire le risque, veuillez maintenir les spectateurs à une distance de sécurité de la machine pendant son fonctionnement.
3. Soyez conscient du danger des positions de fonctionnement, ainsi que du risque d'être frappé par les branches qui tombent ou qui, après avoir touché le sol, rebondissent, l'opérateur peut être frappé par les branches qui tombent ou par celles qui rebondissent, après avoir frappé le sol. Retirer les branches en sections.
4. Maintenez-vous dans une position stable et conservez l'équilibre au cours de l'utilisation. Utilisez le harnais fourni.
5. Maintenez la machine à une distance suffisante des lignes électriques aériennes.

MISES EN GARDE CONCERNANT LA BATTERIE

- a) **La batterie et les piles secondaires ne doivent pas être ouvertes, démontées ou broyées.**
- b) **La batterie ne doit pas être court-circuitée. Évitez de mettre la batterie en vrac dans une boîte ou dans un tiroir où elles risqueraient**

de se court-circuiter entre elles ou au contact d'autres objets métalliques. Après usage, évitez tout contact de la batterie avec d'autres objets métalliques de petite taille (trombones, pièces, clés, clous, vis etc.) susceptibles de court-circuiter les pôles. Un court-circuit entre les pôles de la batterie peut être à l'origine de brûlures ou d'un incendie.

- c) La batterie ne doit pas être exposée au feu et à la chaleur. Évitez de la ranger à la lumière du soleil.
- d) La batterie et les piles ne doivent pas être soumises à des chocs mécaniques.
- e) En cas de fuite des piles, évitez tout contact du liquide avec la peau et les yeux. En cas de contact, rincez abondamment la surface touchée avec de l'eau et appelez les urgences.
- f) En cas d'ingestion d'une pile ou d'une batterie, appelez immédiatement les urgences.
- g) La batterie et les piles doivent rester propres et sèches.
- h) Si la batterie ou les piles se salissent, essuyez-les avec un chiffon propre et sec.
- i) La batterie et les piles doivent être chargées avant usage. Utilisez toujours le chargeur adéquat, et respectez les instructions du fabricant ou le mode d'emploi de l'appareil concernant la procédure de recharge.
- j) Évitez de laisser une batterie se charger pendant trop longtemps lorsqu'elle n'est pas utilisée.
- k) Après de longues périodes d'inutilisation, il peut être nécessaire de charger et décharger la batterie et les piles à plusieurs reprises avant que celles-ci ne retrouvent leur capacité maximale.
- l) La batterie et les piles fonctionnent au mieux de leur capacité dans une température ambiante normale, comprise entre +15°C et +25°C environ.
- m) Les batteries fonctionnant avec des systèmes électrochimiques différents doivent être mis au rebut séparément.
- n) N'utilisez pas d'autre chargeur que celui spécifié par WORX. N'utilisez pas d'autre chargeur que celui spécifiquement fourni avec l'appareil. Un chargeur destiné à un type de batterie donné peut être à l'origine d'un incendie s'il est utilisé avec une autre batterie.
- o) N'utilisez en aucun cas une batterie autre que celle prévue pour cet appareil.
- p) La batterie doit être tenue hors de portée des enfants.
- q) Gardez la documentation d'origine du produit afin de pouvoir vous y référer ultérieurement.
- r) Enlevez la batterie de l'appareil lorsque vous ne l'utilisez pas.
- s) Respectez les procédures de mise au rebut.

CONSERVEZ CE MODE D'EMPLOI

Consignes portant sur les bonnes techniques d'abattage, d'entaille et de coupe d'abattage élémentaires.

1. Abattage d'arbres

Lors des opérations de tronçonnage et d'abattage par deux ou plusieurs personnes en même temps, séparer les opérations d'abattage de l'opération de tronçonnage par une distance d'au moins le double de la hauteur de l'arbre soumis à l'abattage. Lors de l'abattage d'arbres, veillez à ne pas exposer d'autres personnes à des dangers, à ne pas toucher des conduites d'alimentation et à ne pas causer des dommages matériels. Au cas où un arbre toucherait un câble d'alimentation, immédiatement informer le distributeur d'énergie.

L'opérateur de la tronçonneuse à chaîne doit se maintenir en amont du terrain étant donné que l'arbre pourrait rouler ou glisser vers le bas après l'abattage. Prévoir et dégager un chemin d'évacuation autant que nécessaire avant de commencer les coupes. Le chemin d'évacuation doit s'étendre à l'arrière et diagonalement derrière la ligne de chute prévue comme illustré à la Figure 1.

Avant de commencer l'abattage, prendre en considération l'inclinaison naturelle de l'arbre, la position des plus grandes branches et le sens du vent pour évaluer la façon dont l'arbre tombera. Éliminer de l'arbre la saleté, les pierres, les morceaux d'écorce, les clous agrafes, et les fils.

2. Exécuter une entaille

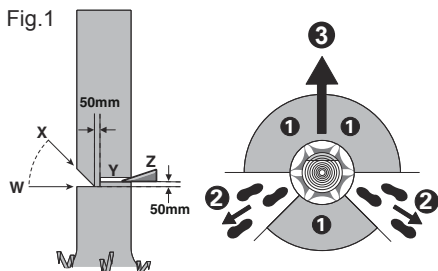
Pratiquez une entaille égale à 1/3 du diamètre de l'arbre, perpendiculaire à la direction de chute comme illustré à la Figure 1. D'abord effectuer l'entaille inférieure horizontale (W). Cela évite que la chaîne ou la barre de guidage ne se coince pendant l'exécution de la deuxième entaille (X).

3. Exécuter une coupe d'abattage

Pratiquez une coupe d'abattage (Y) d'au moins 50 mm plus grande que l'entaille horizontale comme illustré à la Figure 1. Effectuer la coupe parallèlement à l'entaille horizontale. Scier de façon qu'il reste un dos (latte de coupe) qui sert de charnière. Cette charnière évite que l'arbre ne tourne et tombe dans la mauvaise direction. Ne pas scier complètement le dos.

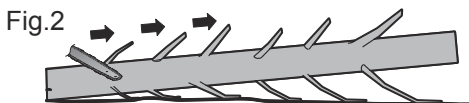
Lorsque la coupe d'abattage approche du dos, l'arbre devrait commencer à tomber. S'il s'avère que l'arbre ne tombe probablement pas dans la direction souhaitée ou qu'il se penche vers l'arrière et que la chaîne de la tronçonneuse coince, interrompre la coupe et utiliser des coins en bois, en matière plastique ou en aluminium (Z) pour faire revenir l'arbre dans la direction souhaitée et pour ouvrir la coupe (3).

Lorsque l'arbre commence à tomber, sortir la tronçonneuse de la coupe, l'arrêter, la poser par terre et quitter la zone de danger par la voie d'issue prévue (2). Faire attention aux branches qui tombent et à ne pas trébucher. (Voir Fig. 1)



4. Ebranchage

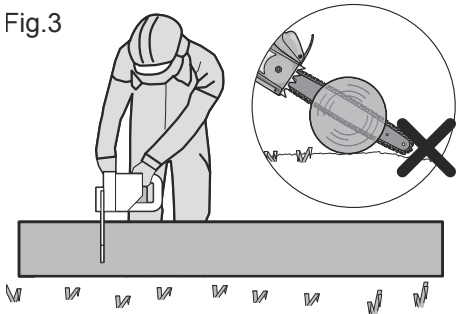
Il s'agit ici du découpage des branches d'un arbre abattu. Lors de l'ébranchage, ne pas commencer par le découpage des grosses branches inférieures. Ces dernières soutiennent l'arbre. Retirer les petites branches en une coupe comme illustré à la Figure 2. Les branches sous tension devraient être sciées du bas vers le haut afin d'éviter que la scie ne se coince.



5. Tronçonner les troncs d'arbre

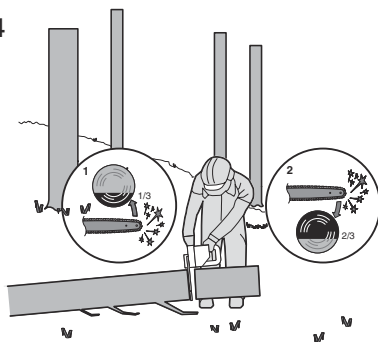
Il s'agit du découpage en tronçons de l'arbre abattu. Veiller à maintenir une position stable et à répartir le poids de votre corps uniformément sur vos deux pieds. Si possible, caler et soutenir le tronc au moyen de branches, de poutres ou de cales. Suivre les instructions simples pour sciage facile.

Lorsque le tronc est soutenu sur toute la longueur comme illustré à la Figure 3, il faut le couper par le haut (coupe par le haut), éviter de toucher le sol cela réduira fortement l'affûtage de la chaîne.



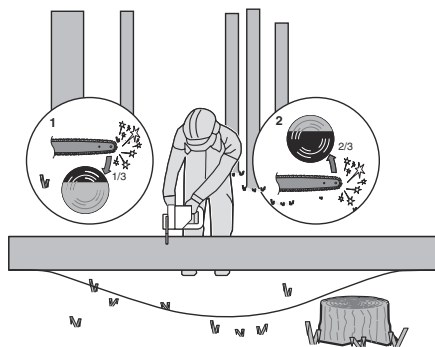
Lorsque le rondin est soutenu par une extrémité, comme illustré sur la Figure 4, coupez 1/3 du diamètre de la face du dessous (depuis le bas) (1). Puis, terminez la coupe en coupant par le haut (2) pour rejoindre la première coupe.

Fig.4



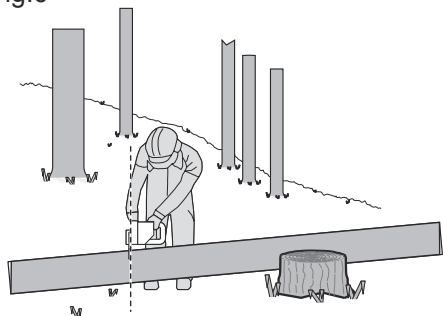
Lorsque le tronc est soutenu par les deux extrémités, comme illustré à la Figure 5, coupez 1/3 du diamètre depuis le haut (coupe par le haut) (1). Ensuite, pratiquez la coupe de finition depuis le bas sur les 2/3 inférieurs (2) pour rejoindre la première coupe.

Fig.5



Lorsque le tronçonnage a lieu sur une pente, vous devez toujours vous placer vers le sommet de la pente par rapport au tronc, comme illustré à la Figure 6. Afin d'assurer le contrôle complet au moment où le tronc est « complètement scié », réduire la pression appliquée en fin de coupe tout en continuant à maintenir une prise ferme sur les poignées de la tronçonneuse. Veiller à ce que la chaîne de la scie ne touche pas le sol. Une fois la coupe terminée, attendre l'arrêt total de la chaîne de la scie avant de retirer la tronçonneuse. Toujours mettre le moteur de la tronçonneuse hors fonctionnement avant de passer à l'arbre suivant.

Fig.6



SYMBOLES

	Pour réduire le risque de blessure, l'utilisateur doit lire le mode d'emploi.
	Avertissement
	Porter une protection pour les oreilles
	Porter une protection pour les yeux
	Porter un masque contre la poussière
	Ne pas exposer à la pluie ou à l'eau.
	Portez une protection pour la tête
	Portez des gants de protection
	Portez des chaussures de protection.
	Avertissement de danger dû aux lignes électriques aériennes.

	Les déchets d'équipements électriques et électroniques ne doivent pas être déposés avec les ordures ménagères. Ils doivent être collectés pour être recyclés dans des centres spécialisés. Consultez les autorités locales ou votre revendeur pour obtenir des renseignements sur l'organisation de la collecte.
 	Ne pas jeter les batteries. Les batteries usagées doivent être déposées dans un centre de collecte local ou dans un centre de recyclage.
	Ne pas brûler.
	Ne pas exposer à la pluie ou à l'eau.
	Le contact de l'extrémité du guide-chaîne avec tout objet doit être évité.
	Le contact du bout de la lame peut faire soudain bondir le guide-chaîne vers le haut et vers l'avant, et cela peut blesser gravement l'utilisateur.
	Utilisez toujours la tronçonneuse à deux mains.
	xINR18/65-y: Les cellules cylindriques de la batterie au lithium avec un diam max de 18mm et une hauteur max de 65mm; "x" représente un nombre de cellules connectées en série, vide si 1; "-y" représente un numéro de cellules connectées en parallèle, vide si 1.


LISTE DES COMPOSANTS

1. **POIGNÉE ARRIÈRE**
2. **INTERRUPTEUR MARCHÉ/ARRÊT/AMORCE**
3. **COUVERCLE RÉSERVOIR D'HUILE**
4. **POIGNÉE AVANT**
5. **PROTÈGE-MAIN**
6. **BARRE GUIDE**
7. **CHAÎNE**
8. **BOUTON DE RÉGULATION DE LA TENSION DE CHAÎNE**
9. **CAPOT**
10. **PACK BATTERIE ***
11. **VERROU DE PACK BATTERIE ***
12. **PROTECTEUR DE MAIN ARRIÈRE**
13. **PIC DE BUTÉE**
14. **JAUGE DU NIVEAU DE L'HUILE**
15. **VERROUILLAGE DE MISE EN MARCHÉ**
16. **PIGNON DE CHAÎNE**
17. **SYMBOLE SENS DE ROTATION ET DE COUPE**
18. **BUSE D'HUILE**
19. **BARRE DE SERRAGE**
20. **TROU DE LA BARRE DE SERRAGE**
21. **GOUPILLE DE POSITIONNEMENT DU GUIDE**
22. **RANGEMENT CHAÎNE ET BARRE / PROTECTION DE TRANSPORT*(FOURREAU)**
23. **CLIQUET DE TENSION DE LA CHAÎNE (VOIR FIG. A)**
24. **POIGNÉE DE RALLONGE DU MANCHE***
25. **BOUTON DE VERROUILLAGE***
26. **LEVIER DE SERRAGE***
27. **MANCHE INTÉRIEUR***
28. **BOUTON DE VERROUILLAGE***
29. **SUPPORT DE RACCORDEMENT DE LA RALLONGE DU MANCHE***
30. **BOUTON DE VERROUILLAGE SUR LA POIGNÉE DE LA RALLONGE DU MANCHE***
31. **INTERRUPTEUR MARCHÉ / ARRÊT SUR LA POIGNÉE DE LA RALLONGE DU MANCHE***
32. **BANDOULIÈRE***

* Les accessoires reproduits ou décrits ne sont pas forcément fournis avec l'appareil.

CARACTÉRISTIQUES TECHNIQUES

Modèle **WG322E WG322E.9 WG323E WG323E.9 (3 - Désignation de machines, représentant la scie à chaîne et la scie à rallonge)**

	WG322E	WG322E.9	WG323E	WG323E.9
Tension	20V  Max**			
Longueur du guide	25cm			
Vitesse de coupe	3.8m/s			
Quantité d'huile dans le réservoir	130ml			
Pas de chaîne	3/8"			
Nombre de maillons	40			
Echelle limnométrique à chaîne	0.043"			
Type de chaîne d'adaptation	ES: 3/8.043-40E/ QIRUI : A0(T)-40E/ OREGON: 90PX040G			
Type de barre d'adaptation	ES: ES104SDEA041/ QIRUI : PO10-43SR(T) / OREGON: 104MLEA041			
Temps de chargement	5hrs			
Masse (chaîne & guide inclus)	2.8kg	2.4kg	4.6kg	4.2kg

**Tension mesurée sans charge. La tension de la batterie initiale atteint un maximum de 20 volts. La tension nominale est de 18 volts.


48

ACCESSOIRES

	WG322E	WG322E.9	WG323E	WG323E.9
Chaîne	1	1	1	1
Barre guide	1	1	1	1
Protection de transport	1	1	1	1
Perche (WA0166)	/	/	1	1
Chargeur (WA3760)	1	/	1	/
Pack batterie (WA3551)	1	/	1	/
Bandoulière	/	/	1	1

Nous recommandons d'acheter tous les accessoires dans le magasin d'acquisition de l'outil. Pour plus d'informations, se référer à l'emballage des accessoires. Le personnel du magasin est également là pour vous conseiller.

INFORMATIONS RELATIVES AU BRUIT

	WG322E WG322E.9	WG323E WG323E.9
Niveau de pression acoustique pondéré A	$L_{pA} = 87.9 \text{ dB(A)}$	$L_{pA} = 85.7 \text{ dB(A)}$
Niveau de puissance acoustique pondéré A	$L_{wA} = 96 \text{ dB(A)}$	$L_{wA} = 96 \text{ dB(A)}$
$K_{pA} = 3.0 \text{ dB(A)}$		
Porter une protection pour les oreilles. 		

INFORMATIONS RELATIVE AUX VIBRATIONS

Valeurs totales de vibrations déterminées selon la norme EN 60745:

Valeur d'émission de vibrations $a_v < 2.5 \text{ m/s}^2$	Incertitude $K = 1.5 \text{ m/s}^2$
---	-------------------------------------

La valeur totale de vibration déclarée peut être utilisée pour comparer un outil à un autre, et peut également être utilisé dans une évaluation préliminaire de l'exposition.

AVERTISSEMENT: La valeur d'émission de vibrations pendant l'utilisation réelle de l'outil électrique peut différer de la valeur déclarée selon la manière dont l'outil est utilisé, selon les exemples suivants et d'autres variations sur la manière dont l'outil est utilisé:

Comment l'outil est utilisé et quels matériaux sont coupés ou percés.

L'outil est en bon état et bien entretenu.

L'utilisation du bon accessoire pour l'outil et l'assurance qu'il est affûté et en bon état.

La bonne tenue des poignées et, le cas échéant, les accessoires anti-vibrations utilisés.

L'outil est utilisé comme prévu dans sa conception et dans le présent mode d'emploi.

Cet outil peut causer un syndrome des vibrations main-bras s'il n'est pas correctement géré.

AVERTISSEMENT: Pour être précise, une évaluation du niveau d'exposition en conditions réelles d'utilisation doit également tenir compte de toutes les parties du cycle d'utilisation telles que les moments où l'outil est éteint, et ceux où il fonctionne au ralenti mais ne réalise pas réellement de tâche. Ceci peut réduire de manière significative le niveau d'exposition et la durée d'utilisation totale.

Afin de minimiser le risque d'exposition aux vibrations : Utilisez TOUJOURS des burins, des forets et des lames affûtés.

Entretenez cet outil de manière conforme au mode d'emploi et maintenez-le lubrifié (le cas échéant). Si l'outil doit être utilisé régulièrement, investissez dans des accessoires anti-vibrations.

Planifiez votre travail pour étaler l'utilisation des outils à forte vibration sur plusieurs jours.

UTILISATION CONFORME

L'appareil est conçu pour abattre les arbres ainsi que pour scier des troncs, des branches, des poutres en bois, des planches, etc. et peut être utilisé pour des coupes longitudinales et transversales. Cet appareil n'est pas approprié à scier des matériaux essentiellement composés de minéraux.

MONTAGE

AVERTISSEMENT! N'installez pas la batterie avant qu'elle ne soit complètement assemblée. Pour toute manipulation de la chaîne, utiliser toujours des gants de protection.

MONTAGE DU GUIDE ET DE LA CHAÎNE

- Sortir avec précaution toutes les pièces de l'emballage.
- Placer la tronçonneuse sur une surface plate et ferme.
- Utiliser les chaînes WORX originales ou celles recommandées pour le guide uniquement.
- Monter la chaîne (7) dans la rainure périphérique du guide (6). Assurez-vous que la chaîne soit mise dans le bon sens en comparant son sens à celui de l'icône de la chaîne sur le guide ou en consultant le symbole du sens de rotation de la chaîne (17) situé sur le corps de la tronçonneuse. Assurez-vous que le cliquet de tension de la chaîne (23) est orienté vers l'extérieur. (Voir Fig. A)
- Poser les mailles de la chaîne autour du pignon de la chaîne (16) de sorte que le boulon de fixation (20) et les deux goupilles de positionnement (21) prennent dans le trou longitudinal du guide (6). (Voir Fig. B1, B2)
- Contrôler si toutes les pièces sont correctement positionnées. S'assurer que les maillons sont à leur place sur le pignon (Voir Fig. C1). Éviter les plis comme montrer à la Fig. C2. S'il y a un pli, prendre la chaîne au niveau du guide juste avant le pli et tirer le pli.

REMARQUE: La chaîne doit tourner librement sans pli.

- Placer la protection de la chaîne (9) et la serrer en tournant le bouton de tension de la chaîne (8) vers la droite jusqu'à ce qu'elle soit tendue. (Voir Fig. D)

AVERTISSEMENT: La chaîne n'est pas tendue. Tendez la chaîne de la manière décrite dans le chapitre « Tension de la chaîne »

» La tension de la chaîne doit alors être contrôlée.

TENSION DE LA CHAÎNE (VOIR FIG. E1, E2)

REMARQUE: La nouvelle chaîne se détend. Vérifier la tension de la chaîne à intervalles réguliers avant de l'utiliser pour la première fois et serrer quand la chaîne (7) se desserre autour du guide (6).



AVERTISSEMENT:

- Enlevez la batterie hors de l'outil avant d'ajuster la tension de la chaîne.
- Les bords coupants de la chaîne sont affûtés. Utilisez des gants de protection pour manipuler la chaîne.
- Conservez toujours la tension de chaîne appropriée. Une chaîne lâche augmentera les risques de rebond. Une chaîne lâche peut sauter hors de la rainure du guide-chaîne. Cela peut blesser gravement l'utilisateur et provoquer des dégâts matériels. Une chaîne lâche provoquera l'usure rapide de la chaîne, du guide-chaîne et de la roue dentées.

1. Poser la tronçonneuse à chaîne sur une surface plane.
2. Tourner progressivement, et dans le sens des aiguilles d'une montre, le bouton de régulation de la tension de chaîne (8) jusqu'à ce que la chaîne ait la bonne tension.

REMARQUE: La tension augmente automatiquement quand le bouton de régulation de la tension de la chaîne (8) est tourné vers la droite. Le mécanisme du cliquet empêche la chaîne de se desserrer.

3. Basculez la tronçonneuse en arrière (Voir Fig. E1) pour que l'extrémité du guide (6) soit orientée vers le haut. Ceci permettra de retendre la chaîne.
4. Serrer complètement le bouton rotatif de régulation de la tension de la chaîne (8) en le tournant vers la droite.
5. Contrôlez la tension établie par le bouton de mise en tension automatique de la chaîne. La chaîne (7) est tendue correctement quand elle peut être levée à environ la moitié de la profondeur du lien d'entraînement de la barre de guidage (6) au centre. (Voir Fig. E2)

REMARQUE: La chaîne (7) est bien tendue quand elle peut être levée de la barre de guidage (6) et que le lien d'entraînement est dans le rail de la barre de guidage (6).

REMARQUE: La chaîne (7) s'étire pendant la coupe et perd sa tension. Lorsqu'elle est détendue, dévisser complètement le bouton de régulation de la tension de la chaîne (8) ou tournez complètement le bouton trois fois vers la gauche, puis resserrer le bouton de régulation de la tension (8) de tension de la chaîne pour rétablir une tension de la chaîne adéquate en répétant les étapes susmentionnées de 1 à 4.

MONTAGE DE LA PERCHE (uniquement pour WG323E, WG323E.9)

Alignez et insérez la poignée de la rallonge du manche dans l'arbre. Tournez le bouton de verrouillage dans le sens horaire pour procéder au verrouillage. (Voir Fig. F1, F2)

REMARQUE: Assurez-vous que l'arbre est fermement verrouillé en place.

MONTAGE DE LA RALLONGE DU MANCHE SUR LA MACHINE (Voir Fig. G1)

Étape 1 : alignez et insérez le support du raccord du manche (29) dans la scie.

Étape 2 : tournez le bouton de verrouillage (28) dans le sens antihoraire pour serrer la rallonge du manche sur la machine.

REMARQUE: Assurez-vous que la rallonge du manche est fermement verrouillée en place avant la mise en marche.

RETRAIT DE LA RALLONGE DU MANCHE (Voir Fig. G2)

Étape 1 : tournez le bouton de verrouillage (28) dans le sens horaire pour le desserrer et le retirer.

Étape 2 : faites glisser la scie pour retirer la rallonge du manche avec la scie.



AVERTISSEMENT!

• Lorsque vous utilisez cette machine avec la rallonge du manche, assurez-vous que la batterie a été retirée.

Ajustement de la longueur du manche

La scie à manche long dispose d'un manche télescopique qui s'étend de 2m (entièrement rétracté) à 2.7m (complètement étendu).

Le niveau de serrage (26) est utilisé pour maintenir le manche en position à n'importe quelle longueur de rallonge.

1. Pour rallonger le manche, desserrer le levier de serrage tel qu'illustré à la Fig. H. Le manche glissera librement.
2. Tirez sur la section intérieure du manche jusqu'à la longueur de rallonge souhaitée. Remarque: rallonger uniquement de la longueur minimale nécessaire pour atteindre la branche à découper.
3. Pour verrouiller le manche en position, serrez le levier de serrage tel qu'illustré sur la Fig. H.

GRAISSAGE DE LA CHAÎNE


IMPORTANT : A sa livraison, la tronçonneuse à chaîne n'est pas remplie d'huile adhérente pour chaîne. Il est important de la remplir d'huile avant de l'utiliser. L'utilisation de la tronçonneuse à chaîne sans huile adhérente pour chaîne ou avec un niveau d'huile en dessous du marquage minimum entraîne un endommagement de l'appareil.

REMARQUE: La durée de vie et la puissance de coupe de la chaîne dépendent d'un graissage optimal. C'est la raison pour laquelle, durant son fonctionnement, la chaîne est automatiquement graissée d'huile adhérente pour chaîne.

REMPLIR LE RÉSERVOIR D'HUILE:

 **AVERTISSEMENT: retrait de la batterie avant le remplissage du réservoir d'huile.**

1. Déposer la tronçonneuse à chaîne sur un support approprié, le couvercle du réservoir d'huile (3) orienté vers le haut.
2. Nettoyer l'endroit autour du couvercle du réservoir d'huile à l'aide d'un torchon et dévisser le couvercle.
3. Mettez de l'huile pour chaîne jusqu'à remplir en entier le réservoir.
4. Veiller à ce qu'aucune saleté n'entre dans le réservoir d'huile, remettre le bouchon d'huile (3) et le serrer bien fermement en le tournant vers la droite.

 **IMPORTANT : Pour permettre un échange d'air entre le réservoir d'huile et l'environnement, le couvercle du réservoir d'huile a été équipé de petits canaux de compensation. Pour éviter que de l'huile ne sorte, veiller toujours à poser la scie horizontalement lorsqu'elle n'est pas utilisée (le couvercle du réservoir d'huile (3) est orienté vers le haut).**

Utiliser exclusivement l'huile adhérente pour chaîne biodégradable recommandée afin de ne pas endommager la tronçonneuse à chaîne (Grade: ISO VG32). L'huile peut être disponible dans le magasin où vous avez acheté la tronçonneuse ou chez votre fournisseur local. Ne jamais utiliser d'huile recyclée ou d'huile usée. L'utilisation d'une huile non autorisée entraîne la perte du bénéfice de la garantie. Ne pas avaler. En cas d'ingestion, appeler immédiatement un médecin. Tenir hors de la portée des enfants. Stocker à l'abri de la chaleur ou de flammes nues.

CONTRÔLE DU GRAISSEUR AUTOMATIQUE

Il est possible de contrôler le fonctionnement correct du graisseur automatique en faisant fonctionner la tronçonneuse et en plaçant l'extrémité du guide (6) au-dessus d'un morceau de carton ou de papier au sol. Si vous constatez une tache d'huile grandissante sur le carton, le graisseur automatique fonctionne correctement. Si vous ne constatez pas de tache bien que le réservoir d'huile soit plein, contactez un agent du Service Clients WORX.

 **ATTENTION : Ne mettez pas la chaîne en contact avec le sol. Gardez une distance de sécurité de 30 cm.**

FONCTIONNEMENT

1. AVANT D'UTILISER VOTRE OUTIL SANS FIL

 **AVERTISSEMENT:** Le chargeur et la batterie ont été spécialement conçus pour fonctionner ensemble, ne pas utiliser d'autres dispositifs. Ne jamais insérer d'objets métalliques dans le chargeur ou dans les connexions de la batterie, cela

pourrait provoquer un court circuit ou être une source de danger.

REMARQUE: La batterie N'EST PAS CHARGÉE et il faut la charger une fois avant de l'utiliser. Le chargeur de batterie fourni est adapté à la batterie Li-ion installé dans l'instrument. N'utilisez pas d'autre chargeur de batterie.

2. CHARGE DE VOTRE BATTERIE


La batterie Li-ion est protégée contre les fortes décharges. Lorsque la batterie est vide, l'instrument s'éteint via un circuit de protection. En environnement chaud ou après une utilisation intensive, le pack batterie peut devenir trop chaud pour permettre la charge. Laissez le temps à la batterie de refroidir avant de recharger.

3. ENLEVER OU INSTALLER LA BATTERIE (Voir Fig. 11, 12, 13)

Enfoncez la languette du bloc de batterie pour le déloger et faites-le glisser hors de l'outil. Après le rechargement, faites-le glisser en place sur l'outil. Un simple coulisement et une légère pression seront suffisants. Vérifiez que la batterie est solidement fixée.


REMARQUE: Lorsque vous retirez la batterie, tenez-la fermement afin d'éviter toute chute ou blessure.

4. Mise en fonctionnement/Arrêt (Voir Fig. J)

 **ATTENTION : vérifiez la batterie avant d'utiliser votre outil sans fil. Utilisez uniquement la batterie énumérée dans la section d'accessoires.**

Afin de mettre en marche l'appareil, pousser le verrouillage de mise en marche (15), puis presser à fond l'interrupteur Marche/Arrêt (2) et le maintenir dans cette position. Maintenant, le verrouillage de mise en marche peut être relâché. Afin d'arrêter l'appareil, relâcher l'interrupteur Marche/Arrêt.

5. TRAVAILLER

 **IMPORTANT : Le réservoir d'huile est-il rempli ? Contrôler le voyant du niveau d'huile (14) avant de commencer le travail, et, à intervalles réguliers, durant le sciage (Voir Fig. K1). Rajouter de l'huile dès que le niveau d'huile a atteint le bord inférieur du voyant de contrôle. La quantité contenue dans le réservoir suffit pour 12 minutes env. et dépend des pauses et de l'intensité du travail. Durant le sciage, contrôler la tension de la chaîne toutes les 10 minutes.**

- 1) Montez le pack de batterie dans la tronçonneuse.
- 2) Vérifiez que la section de la bûche à couper ne repose pas au sol pour empêcher la chaîne (7) de venir en contact avec le sol pendant la coupe. Le contact avec le sol lorsque la chaîne tourne est dangereux et abîme la chaîne.
- 3) Saisissez fermement la scie avec vos deux mains, la main gauche sur la poignée avant (4) et la main droite sur la poignée arrière (1). Un minimum de force est nécessaire. Tenir en permanence les

poignées serrées avec les doigts et le pouce. (Voir Fig. K2)

- 4) Vérifiez que vous êtes fermement appuyé au sol. Écartez vous de la largeur des épaules. Répartissez régulièrement votre poids sur vos pieds.
- 5) Lorsque vous êtes prêt à couper, appuyez à fond avec le pouce sur le bouton de déverrouillage (15) et appuyez sur la gâchette pour faire tourner la chaîne de coupe. Relâchez la gâchette pour arrêter la rotation de la chaîne. Vérifiez que la chaîne tourne à pleine vitesse avant de commencer à couper.
- 6) Lorsque vous commencez à couper, placez la chaîne en mouvement contre le bois. Le bois doit être le plus proche possible du corps de la tronçonneuse. Maintenez la tronçonneuse fermement en place pour éviter un retour ou un dérapage (latéral) de la machine.
- 7) Guidez la machine en appuyant légèrement et n'exercez pas d'effort excessif sur la chaîne, en laissant la tronçonneuse faire son travail, ce qui peut entraîner une surcharge qui fait griller le moteur. Le travail est plus sûr et meilleur à la vitesse prévue pour la machine.
- 8) Enlevez la machine d'une coupe lorsqu'elle tourne à pleine vitesse. Relâchez le bouton On/Off (2) pour arrêter la machine. Vérifiez que la chaîne est arrêtée avant de poser la tronçonneuse.
- 9) Continuez de couper des rondins de rebut dans une zone sécurisée jusqu'à ce que vous soyez à l'aise et coupez facilement avec un mouvement souple et une vitesse de coupe constante.

Sécurité anti-retour sur cette tronçonneuse

Cette tronçonneuse est équipée d'une chaîne de sécurité et d'un guide réduisant son retour. Ces deux caractéristiques diminuent le risque de retour qui est néanmoins toujours possible avec cette machine. Pour éviter le recul de l'appareil.

- Saisissez la scie avec vos deux mains pour découper les branches. Un minimum de force est nécessaire pour maintenir fermement votre machine-outil. Tenir en permanence les poignées serrées avec les doigts et le pouce.
- Vérifiez que tous les éléments de sécurité sont en place et qu'ils fonctionnent correctement.
- Ne travaillez pas dans des conditions déraisonnables et ne coupez pas au-dessus de vos épaules.
- Garder une position et un équilibre adaptés à tout moment.
- Tenez-vous debout légèrement à gauche de la tronçonneuse pour éviter que votre corps se trouve directement dans l'alignement de la chaîne
- Veillez à ce que l'extrémité du guide ne touche rien lorsque la chaîne tourne.
- N'essayez jamais de couper deux branches en même temps. Votre scie n'a pas été conçue pour cela.
- Ne plongez pas l'extrémité du guide dans la terre ni n'effectuez de coupes plongeantes (percer le bois à l'aide de l'extrémité du guide).

- Faites attention aux branches en mouvement ou aux autres forces qui pourraient refermer une entaille et pincer ou entraver la chaîne.
- Soyez extrêmement prudent lorsque vous réinsérez la chaîne dans une entaille déjà entamée.
- Utilisez uniquement la chaîne (6) et le guide de sécurité fournis avec cette tronçonneuse.
- Ne jamais travailler avec une chaîne lâche, détendue ou fortement usée. Faire attention à la bonne tension de la chaîne.

Utilisation sûre de la chaîne

1. Utilisez la tronçonneuse uniquement lorsque votre appui au sol est stable et sûr.
2. Tenez la tronçonneuse à droite de votre corps (Voir Fig. L).
3. La chaîne (7) doit tourner à pleine vitesse avant d'entrer en contact avec le bois.
4. Utilisez les pics de butée (13) pour sécuriser la scie sur le bois avant de commencer à le couper.
5. Utilisez les pics de butée comme point de levier pendant la coupe (Voir Fig. M)
6. N'utilisez pas la tronçonneuse avec les bras complètement tendus. N'essayez pas d'atteindre des endroits difficilement accessibles. Ne vous perchez sur une échelle pendant la coupe (Voir Fig. N).

Ne jamais utiliser la tronçonneuse au-delà de la hauteur des épaules.

SCIAGE DU BOIS SOUS TENSION (VOIR FIG. O)

AVERTISSEMENT: Lors de la coupe d'une branche tendre, s'attendre à ce qu'elle revienne comme un ressort. Quand la tension dans les fibres de bois se relâche, la branche sous tension peut frapper l'utilisateur et/ou lui faire perdre le contrôle de la tronçonneuse.

Si le bois repose des deux côtés, couper d'abord par le haut un tiers du diamètre du tronc (Y) (coupe par le fond), puis tronçonner le tronc au même endroit par le bas (Z) afin d'éviter des éclats ou le coinçage de la tronçonneuse à chaîne. Faire attention cependant à ne pas toucher le sol. Si, par contre, le bois ne repose que d'un seul côté, couper d'abord par en bas un tiers du diamètre du tronc (Y) (coupe par le haut), puis tronçonner le tronc au même endroit par le haut (Z) afin d'éviter des éclats ou le coinçage de la tronçonneuse à chaîne.

FONCTIONNEMENT DE LA SCIE À MANCHE LONG (UNIQUEMENT POUR WG323E, WG323E.9)

Coupe avec la bandoulière (Voir Fig. P1)

Le tube de rallonge est fourni avec une bandoulière permettant une meilleure tenue de la scie lorsque vous la soulevez au-dessus de la tête. Accrochez la bandoulière au tube de rallonge et passez-la sur votre épaule. La bandoulière permet également d'amortir la chute lorsque la scie tombe brusquement à la fin d'une coupe.

Découpe à l'aide d'une scie à manche long

1. Montez le pack de batterie dans la tronçonneuse.
2. Avant de couper une branche en hauteur, reprenez toutes les recommandations de la section "Taillage des branches", avec une attention plus particulière pour le chemin de chute de la branche.



AVERTISSEMENT: Ne vous tenez pas directement sous la branche que vous coupez. Tenez toutes les personnes éloignées. N'utilisez jamais votre scie lorsque votre position est instable, par exemple sur une échelle. N'utilisez jamais votre scie à proximité de câble, de lignes électriques et de lignes téléphoniques. Respectez une distance de sécurité de 3m(10pieds) avec les lignes électriques aériennes. (Voir Fig. P2-P5)

3. Saisissez fermement la scie avec vos deux mains. N'utilisez que les zones de préhension désignées lorsque vous utilisez une scie à manche long (Voir Fig. P6). Un minimum de force est nécessaire. Tenir en permanence les poignées serrées avec les doigts et le pouce.
4. Vérifiez que vous êtes fermement appuyé au sol. Écartez vous de la largeur des épaules. Répartissez régulièrement votre poids sur vos pieds.
5. Lorsque vous êtes prêt à couper, appuyez à fond avec le pouce sur le bouton de déverrouillage (30), puis appuyez complètement sur l'interrupteur Marche/Arrêt (31) (Voir Fig. P7). Cela transforme la scie à perche sur. Relâchez la gâchette pour arrêter la rotation de la chaîne. Vérifiez que la chaîne tourne à pleine vitesse avant de commencer à couper.
6. Lorsque vous commencez à couper, placez la chaîne en mouvement contre le bois. Maintenez la tronçonneuse fermement en place pour éviter un retour ou un dérapage (latéral) de la machine.
7. Guidez la machine en appuyant légèrement et n'exercez pas d'effort excessif sur la chaîne, ce qui peut entraîner une surcharge qui fait griller le moteur. Le travail est plus sûr et meilleur à la vitesse prévue pour la machine.
8. Enlevez la machine d'une coupe lorsqu'elle tourne à pleine vitesse. Relâchez le bouton On/Off pour arrêter la machine. Vérifiez que la chaîne est arrêtée avant de poser la tronçonneuse.

ÉBRANCHAGE D'UN ARBRE (ÉLAGAGE)



AVERTISSEMENT : évitez le rebond. Le rebond peut entraîner des blessures graves ou la mort.

Voir Rebond, pour éviter tout risque de rebond.

AVERTISSEMENT : n'utilisez pas de scie à manche long tant que vous êtes

- sur un arbre
- sur une échelle ou toute autre surface instable

• dans une position difficile

Vous pouvez perdre le contrôle de la scie à manche long et entraîner de graves blessures.



AVERTISSEMENT : n'étendez pas les bras au-dessus des épaules lors de l'utilisation d'une scie à manche long.

MISE EN GARDE : cherchez l'aide d'un professionnel si vous rencontrez des difficultés qui dépassent vos capacités.

L'ébranchage d'un arbre consiste à découper les branches d'un arbre vivant. Vérifiez que vous êtes fermement appuyé au sol. Écartez vous de la largeur des épaules. Répartissez régulièrement votre poids sur vos pieds.

Suivez les instructions ci-dessous pour ébrancher un arbre.

1. Réalisez d'abord une première coupe de 15 cm depuis le tronc d'arbre sur la partie inférieure de la branche. Utilisez le haut de la barre de guidage pour effectuer cette coupe. Coupez 1/3 du diamètre de la branche (Voir Fig. P8).
2. Déplacez-vous 5 à 10 cm plus loin sur la branche. Réalisez une deuxième coupe depuis la branche supérieure. Poursuivez la coupe jusqu'à ce que vous découpiez la branche.
3. Réalisez une troisième coupe le plus près possible du tronc d'arbre dans la mesure du possible sur la partie inférieure de la souche de la branche. Utilisez le haut de la barre de guidage pour réaliser cette coupe. Coupez 1/3 du diamètre de la souche.
4. Réalisez une quatrième coupe directement au-dessus de la troisième coupe. Procédez à la coupe nécessaire pour atteindre la troisième coupe. Ceci éliminera la souche de la branche.

ENTRETIEN DE LA TRONÇONNEUSE

Exécutez les instructions d'entretien rapportées dans ce guide. Un nettoyage convenable de la scie et de la chaîne, et un entretien régulier du guide peuvent réduire les risques de rebond. Vérifiez et nettoyez la scie après chaque utilisation. Ces recommandations peuvent suffire pour garder votre machine-outil en bon état pendant longtemps.

REMARQUE: Chaque affûtage des dents de la chaîne augmente le risque de rebond.

MAINTENANCE ET STOCKAGE DE LA TRONÇONNEUSE

1. Retirer le boîtier de la batterie de la tronçonneuse

- lorsque vous ne l'utilisez pas
- Avant de vous déplacer d'un endroit à un autre
- Avant de la réparer
- Avant de changer un accessoire ou une pièce, telle que la chaîne de scie ou la barre de protection.

2. Avant et après chaque découpe avec votre scie, vérifiez. Vérifiez soigneusement si la protection ou une autre pièce a été endommagée.

Recherchez toute détérioration qui peut nuire à la sécurité de l'utilisateur ou au fonctionnement de la machine. Vérifiez l'alignement ou la liaison des pièces mobiles. Vérifiez si des pièces sont cassées ou endommagées. N'utilisez pas la tronçonneuse si des détériorations nuisent à sa sécurité d'utilisation. Faites réparer la machine par un centre technique agréé. Pour trouver un centre technique, visitez le site www.worx.com

3. Entretenez soigneusement la tronçonneuse.

- Ne jamais exposer directement la tronçonneuse à la pluie ou la moisissure directe.
- Pour obtenir les meilleures performances de votre machine-outil et l'utiliser en toute sécurité, veillez à ce que la chaîne soit toujours propre, affûtée et lubrifiée.
- Conformez-vous aux instructions de ce guide pour affuter les dents de la chaîne.
- Les poignées doivent être sèches, propres et exemptes d'huile et de graisse.
- Vérifiez régulièrement que les vis et les écrous sont suffisamment serrés.

4. Faire entretenir l'outil par un réparateur qualifié utilisant uniquement des pièces de rechange identiques.

5. Rangez toujours la tronçonneuse lorsque vous ne l'utilisez pas.

- En hauteur, dans un endroit qui ferme à clé pour rester hors de portée des enfants
- Dans un endroit sec.
- Avec protection de la chaîne (9) et de la barre en position.

Entretien de la barre de guidage

Pour une durée de vie maximale de la barre de guidage, il est recommandé d'appliquer les procédures suivantes.

Les rails de guidage de la barre qui maintiennent la chaîne doivent être nettoyés avant de ranger la machine ou si la barre ou la chaîne est sale.

Les rails de guidage doivent être nettoyés à chaque démontage de la chaîne.

Pour nettoyer les rails de guidage:

1. Enlevez le cache de la chaîne et déposez la barre et la chaîne. (voir le paragraphe MONTAGE)
2. Avec une brosse métallique, un tournevis ou un outil similaire, enlevez les déchets et les saletés

des rails de la barre. (Voir Fig. Q)

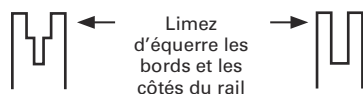
3. N'oubliez pas de nettoyer complètement les passages d'huile.

Conditions qui nécessitent d'entretenir la chaîne(7) et la barre de guidage (6):

- La tronçonneuse coupe d'un côté ou en angle.
- La tronçonneuse doit être forcée dans la coupe.
- Arrivée d'huile insuffisante sur la barre et la chaîne.

Vérifiez l'état de la barre de guidage à chaque affûtage de la chaîne. Une barre de guidage usée endommage la chaîne et rend la coupe difficile. Après chaque utilisation, la machine étant débranchée d'une source de courant, nettoyez toute la scie sur la barre de guidage et dans le trou du pignon d'entraînement.

Lorsque la partie supérieure du rail de guidage est irrégulière, utilisez une lime plate pour refaire des bords et des côtés droits.



Rainure usée

Rainure correcte

Remplacez la barre de guidage lorsque la rainure est usée, lorsque la barre est courbée ou fissurée ou lorsque les rails chauffent ou grincent excessivement. Si le remplacement est indispensable, utilisez uniquement la barre de guidage prévue pour votre tronçonneuse dans la nomenclature des pièces de réparation ou sur l'autocollant situé sur la tronçonneuse.

Remplacement/changement de la chaîne et du guide

Remplacez la chaîne lorsque les couteaux sont trop usés pour être affûtés ou en cas de rupture de la chaîne. La nouvelle chaîne doit présenter toutes les caractéristiques techniques mentionnées dans ce guide.

Travailler avec un guide usé ou endommagé vous expose à un risque de blessures, expose la chaîne à des dommages et rend la coupe plus difficile. Placer le cliquet de tension de la chaîne (23) en l'insérant dans la nouvelle barre en serrant les vis vers la droite. La partie saillante du cliquet (a) doit être rentrée dans le trou du guide. (Voir Fig. R)

CONTRÔLE DU GRAISSAGE AUTOMATIQUE

AVERTISSEMENT: Enlevez le boîtier de batterie hors de la scie avant de procéder à un entretien. Une

électrocution ou le contact avec la chaîne en mouvement peut entraîner des blessures graves ou la mort.

Les bords coupants de la chaîne sont affûtés. Utilisez des gants de protection pour manipuler la chaîne.

Garder affûtés et propres les outils permettant de couper. Vous travaillez plus rapidement et diminuez les risques. Une chaîne aux dents émoussées accélère l'usure de la couronne d'entraînement, du

guide, de la chaîne et du moteur. Les dents sont probablement émoussées lorsque vous devez forcer la scie dans le bois ou lorsque la découpe produit uniquement de la sciure avec quelques gros morceaux.

LUBRIFICATION DU PIGNON

 **AVERTISSEMENT: Portes des gants de travail lorsque vous effectuez une opération d'entretien sur cette machine.**


Enlevez toujours le pack de batterie de la tronçonneuse avant toute intervention d'entretien sur cette machine.

REMARQUE: Il n'est pas nécessaire d'enlever la chaîne ou le guide pour graisser le pignon.

1. Nettoyez le guide et le pignon.
2. Insérez la pointe du pistolet de graissage à l'intérieur du trou de graissage et injectez la graisse jusqu'à ce qu'elle apparaisse sur le bord

3. Faites tourner le pignon en tirant la chaîne à la main, de manière à amener le côté non graissé du pignon en face du trou de graissage; puis répétez la procédure.

PROTECTION DE L'ENVIRONNEMENT

 Les déchets d'équipements électriques et électroniques ne doivent pas être déposés avec les ordures ménagères. Ils doivent être collectés pour être recyclés dans des centres spécialisés. Consultez les autorités locales ou votre revendeur pour obtenir des renseignements sur l'organisation de la collecte.

GUIDE DE DÉPANNAGE

Au cas où votre outil électroportatif ne fonctionnerait pas correctement, le tableau suivant vous montre les types de pannes et les causes possibles et vous indique comment vous pouvez y remédier. Si malgré cela vous n'arrivez pas à identifier le problème et à le résoudre, contactez votre Service Après-Vente. **ATTENTION : Avant de dépister la panne, arrêtez l'outil électroportatif et sortez l'accu.**

Problème	Cause possible	Remède
La tronçonneuse à chaîne ne fonctionne pas.	La batterie est à plat. Fusible défectueux.	Chargez le boîtier de la batterie. Remplacer le fusible.
La tronçonneuse à chaîne travaille par intermittence.	Surchauffe La pression exercée lors de la coupe est trop forte. Raccord lâche. Mauvais contact interne. Interrupteur Marche/Arrêt défectueux.	Placer l'outil à un endroit frais et ventilé pour qu'il refroidisse. Exercer une pression moindre lors de la coupe. Contacter un service après-vente. Contacter un service après-vente. Contacter un service après-vente.
Chaîne trop sèche.	Pas d'huile dans le réservoir. Obturation du dispositif d'aération dans le couvercle du réservoir d'huile. Tuyau de sortie d'huile obturé.	Rajouter de l'huile Nettoyer le couvercle du réservoir d'huile. Déboucher le tuyau de sortie d'huile
Chaîne/glissière trop chaude.	Pas d'huile dans le réservoir. Obturation du dispositif d'aération dans le couvercle du réservoir d'huile. Tuyau de sortie d'huile obturé. Tension trop grande de la chaîne. Chaîne émoussée.	Rajouter de l'huile. Nettoyer le couvercle du réservoir d'huile. Déboucher le tuyau de sortie d'huile. Régler la tension de la chaîne. Réaffûter la chaîne ou la remplacer.
La tronçonneuse à chaîne broute, génère des vibrations ou ne scie pas correctement.	Tension trop faible de la chaîne. Chaîne émoussée. Chaîne usée. Dents de la chaîne orientées dans la mauvaise direction.	Régler la tension de la chaîne. Réaffûter la chaîne ou la remplacer. Remplacer la chaîne. Monter à nouveau la chaîne en mettant les dents dans la bonne direction.

DÉCLARATION DE CONFORMITÉ

Nous,
Positec Germany GmbH
Grüner Weg 10, 50825 Cologne, Germany

Déclarons ce produit,
Description **Scie à chaîne et scie à rallonge à batterie**

Modèle **WG322E WG322E.9 WG323E WG323E.9 (3 - Désignation de machines, représentant la scie à chaîne et la scie à rallonge)**

Fonctions **Découpe de bois**

Est conforme aux directives suivantes,

2006/42/EC

2014/30/EU

2011/65/EU

2000/14/EC modifiée par 2005/88/EC

Notification réalisée par

Nom: Intertek Deutschland GmbH (Organisme notifié 0905)

Adresse: Stangenstraße 1, 70771 LEINFELDEN-ECHTERDINGEN

No de certification: 17SHW1086-01 (WG322E WG322E.9) 17SHW1166-01 (WG323E WG323E.9)

WG322E WG322E.9

2000/14/EC modifiée par 2005/88/EC:

- Procédure d'évaluation de la conformité

conformément à **Annex V**

- Niveau de pression acoustique **94.7 dB(A)**

- Niveau d'intensité acoustique **96 dB(A)**

WG323E WG323E.9

2000/14/EC modifiée par 2005/88/EC:

- Procédure d'évaluation de la conformité

conformément à **Annex V**

- Niveau de pression acoustique **95.2 dB(A)**

- Niveau d'intensité acoustique **96 dB(A)**

Et conforme aux normes,

EN 60745-1

EN 60745-2-13

EN ISO 3744

EN 55014-1

EN 55014-2

Soumis à EN ISO11680-1

La personne autorisée à compiler le dossier technique,

Nom: Marcel Filz

Adresse: Positec Germany GmbH, Grüner Weg 10, 50825 Cologne, Germany



2018/03/09

Allen Ding

Ingénieur en chef adjoint, Essais & Certification

Positec Technology (China) Co., Ltd.

18, Dongwang Road, Suzhou Industrial

Park, Jiangu 215123, P. R. China

AVVISI GENERALI PER LA SICUREZZA DEGLI UTENSILI A MOTORE



ATTENZIONE! È assolutamente necessario leggere attentamente tutte le istruzioni.

Eventuali errori nell'adempimento delle istruzioni qui di seguito riportate potranno causare scosse elettriche, incendi e/o lesioni gravi.

Conservare tutti gli avvisi e le istruzioni per poterle consultare quando necessario.

Il termine qui di seguito utilizzato «utensile elettrico» si riferisce ad utensili elettrici alimentati dalla rete (con linea di allacciamento), nonché ad utensili elettrici alimentati a pile (senza linea di allacciamento).

1. POSTO DI LAVORO

- a) **Mantenere pulito ed ordinato il posto di lavoro.** Il disordine e le zone di lavoro non illuminate possono essere fonte di incidenti.
- b) **Evitare d'impiegare l'utensile in ambienti soggetti al rischio di esplosioni nei quali si trovino liquidi, gas o polveri infiammabili.** Gli utensili elettrici producono scintille che possono far infiammare la polvere o i gas.
- c) **Mantenere lontani i bambini ed altre persone durante l'impiego dell'utensile elettrico.** Eventuali distrazioni potranno comportare la perdita del controllo sull'utensile.

2. SICUREZZA ELETTRICA

- a) **La spina per la presa di corrente dovrà essere adatta alla presa. Evitare assolutamente di apportare modifiche alla spina. Non impiegare spine adattatrici assieme ad utensili con collegamento a terra.** Le spine non modificate e le prese adatte allo scopo riducono il rischio di scosse elettriche.
- b) **Evitare il contatto fisico con superfici collegate a terra, come tubi, riscaldamenti, cucineelettriche e frigoriferi.** Sussiste un maggior rischio di scosse elettriche nel momento in cui il corpo è messo a massa.
- c) **Custodire l'utensile al riparo dalla pioggia o dall'umidità.** L'eventuale infiltrazione di acqua in un utensile elettrico va ad aumentare il rischio d'insorgenza di scosse elettriche.
- d) **Non usare il cavo per scopi diversi da quelli previsti al fine di trasportare o appendere l'apparecchio, oppure di togliere la spina dalla presa di corrente. Mantenere l'utensile al riparo da fonti di calore, dall'olio, dagli spigoli da parti di strumenti in movimento.** I cavi danneggiati o aggrovigliati aumentano il rischio d'insorgenza di scosse elettriche.
- e) **Qualora si voglia usare l'utensile all'aperto, impiegare solo ed esclusivamente cavi di prolunga omologati per l'impiego all'esterno.** L'uso di un cavo di prolunga

omologato per l'impiego all'esterno riduce il rischio d'insorgenza di scosse elettriche.

- f) **Se si deve utilizzare l'utensile a motore in un luogo umido, utilizzare una fonte di alimentazione con protezione a corrente residua.** L'uso di un dispositivo a corrente residua reduce il rischio di folgorazioni elettriche.

3. SICUREZZA DELLE PERSONE

- a) **È importante concentrarsi su ciò che si sta facendo e a maneggiare con giudizio l'utensile elettrico durante le operazioni di lavoro. Non utilizzare l'utensile in caso di stanchezza o sotto l'effetto di droghe, bevande alcoliche e medicinali.** Un attimo di distrazione durante l'uso dell'utensile potrà causare lesioni gravi.
- b) **Indossare sempre equipaggiamento protettivo individuale, nonché guanti protettivi.** Se si avrà cura d'indossare equipaggiamento protettivo individuale come la maschera antipolvere, la calzatura antidruido di sicurezza, il casco protettivo o la protezione dell'udito, a seconda dell'impiego previsto per l'utensile elettrico, si potrà ridurre il rischio di ferite.
- c) **Evitare avvii involontari. Controllare che l'interruttore sia nella posizione off prima di effettuare il collegamento a una sorgente di alimentazione/batteria, e prima di sollevare o trasportare l'utensile.** Il fatto di tenere il dito sopra all'interruttore o di collegare l'utensile acceso all'alimentazione di corrente potrà essere causa di incidenti.
- d) **Togliere gli attrezzi di regolazione o la chiave inglese prima di accendere l'utensile.** Un utensile o una chiave inglese che si trovino in una parte di strumento in rotazione potranno causare lesioni.
- e) **È importante non sopravvalutarsi. Avere curati mettersi in posizione sicura e di mantenere l'equilibrio.** In tale maniera sarà possibile controllare meglio l'apparecchio in situazioni inaspettate.
- f) **Indossare vestiti adeguati. Evitare di indossare vestiti lenti o gioielli. Tenere i capelli, i vestiti ed i guanti lontani da pezzi in movimento.** Vestiti lenti, gioielli o capelli lunghi potranno impigliarsi in pezzi in movimento.
- g) **Se sussiste la possibilità di montare dispositivi di aspirazione o di captazione della polvere, assicurarsi che gli stessi siano stati installati correttamente e vengano utilizzati senza errori.** L'impiego dei suddetti dispositivi diminuisce il pericolo rappresentato dalla polvere.

4. Maneggio ed impiego accurato di utensili elettrici

- a) **Non sovraccaricare l'utensile. Impiegare l'utensile elettrico adatto per sbrigare il lavoro.** Utilizzando l'utensile elettrico adatto si

potrà lavorare meglio e con maggior sicurezza nell'ambito della gamma di potenza indicata.

- b) Non utilizzare utensili elettrici con interruttori difettosi.** Un utensile elettrico che non si può più accendere o spegnere è pericoloso e dovrà essere riparato.
- c) Scollegare la spina dalla sorgente di alimentazione e/o la batteria dall'utensile prima di effettuare regolazione, cambiare accessori, o riporre gli utensili a motore.** Tale precauzione eviterà che l'apparecchio possa essere messo in funzione inavvertitamente.
- d) Custodire gli utensili elettrici non utilizzati al di fuori della portata dei bambini. Non fare usare l'apparecchio a persone che non sono abituate ad usarlo o che non abbiano letto le presenti istruzioni.** Gli utensili elettrici sono pericolosi se utilizzati da persone inesperte.
- e) Effettuare accuratamente la manutenzione dell'apparecchio. Verificare che le parti mobili dello strumento funzionino perfettamente e non s'inceppino, che non ci siano pezzi rotti o danneggiati al punto tale da limitare la funzione dell'apparecchio stesso. Far riparare le parti danneggiate prima d'impiegare l'apparecchio.** Numerosi incidenti vengono causati da utensili elettrici la cui manutenzione è stata effettuata poco accuratamente.
- f) Mantenere affilati e puliti gli utensili da taglio.** Gli utensili da taglio curati con particolare attenzione e con taglienti affilati s'inceppano meno frequentemente e sono più facili da condurre.
- g) Utilizzare utensili elettrici, accessori, attrezzi, ecc. in conformità con le presenti istruzioni e secondo quanto previsto per questo tipo specifico di apparecchio. Osservare le condizioni di lavoro ed il lavoro da eseguirsi durante l'impiego.** L'impiego di utensili elettrici per usi diversi da quelli consentiti potrà dar luogo a situazioni di pericolo.

5. MANEGGIO ED IMPIEGO ACCURATO DI ACCUMULATORI

- a) Caricare l'accumulatore solo ed esclusivamente nei dispositivi di carica consigliati dal produttore.** Per un dispositivo di carica previsto per un determinato tipo di accumulatore, sussiste pericolo di incendio, se utilizzato con un accumulatore di tipo diverso.
- b) Utilizzare negli utensili elettrici solo ed esclusivamente gli accumulatori previsti allo scopo.** L'uso di accumulatori di tipo diverso potrà dare insorgenza a lesioni e comportare il rischio d'incendi.
- c) Tenere l'accumulatore non utilizzato lontano da graffette, monete, chiavi, chiodi, viti o da altri oggetti in metallo di piccole dimensioni che potrebbero causare un ponte tra i contatti.** Un eventuale corto circuito tra i contatti dell'accumulatore potrà dare origine a bruciacature o ad incendi.
- d) In caso di impiego sbagliato, potranno**

insorgere fuoriuscite di liquido dall'accumulatore. Evitarne il contatto. In caso di contatto casuale, sciacquare con acqua. Qualora il liquido dovesse entrare in contatto con gli occhi, chiedere immediato consiglio al medico. Il liquido fuoriuscito dall'accumulatore potrà causare irritazioni cutanee o bruciacature.

6. ASSISTENZA

- a) Fare riparare l'apparecchio solo ed esclusivamente da personale specializzato e solo impiegando pezzi di ricambio originali.** In tale maniera potrà essere salvaguardata la sicurezza dell'apparecchio.

INDICAZIONI DI SICUREZZA PER SEGHE A CATENA

- 1. Quando la sega è in azione tenere tutte le parti del corpo lontane dalla catena della sega. Prima di avviare la sega assicurarsi che la catena della sega non possa arrivare a toccare niente.** Lavorando con una sega a catena vi è il serio pericolo che in un attimo di distrazione la catena della sega possa far presa su un indumento oppure su parti del corpo.
- 2. Tenere la sega a catena ben ferma afferrando con la mano destra l'impugnatura posteriore e con la mano sinistra l'impugnatura anteriore.** Tenendo la sega a catena in un'altra posizione operativa si viene ad aumentare il rischio di incidenti e, quindi, non può essere utilizzata.
- 3. Impugnare l'utensile elettrico solo dalle superfici isolate idonee per essere impugnate, poiché la motosega può venire a contatto con cavi nascosti.** In caso di contatto della motosega con cavi sotto tensione, le parti metalliche a vista dell'utensile potrebbero essere sotto tensione ed esporre l'operatore al rischio di folgorazione elettrica.
- 4. Portare occhiali e cuffie di protezione. Si consiglia di utilizzare ulteriori equipaggiamenti di protezione per la testa, le mani, le gambe ed i piedi.** Tramite indumenti di protezione adatti si riduce il rischio di incidenti dovuto a materiale di scarto scaraventato per l'aria o a contatti accidentali con la catena della sega.
- 5. Non lavorare mai con la sega a catena su un albero.** Utilizzando impropriamente una sega a catena su un albero si vengono a creare seri rischi di incidenti.
- 6. Accertarsi sempre una posizione operativa sicura ed utilizzare la sega a catena unicamente su una base che sia ben solida, sicura e piana.** In caso di utilizzo di scale, una base scivolosa oppure instabile può provocare una perdita del controllo sull'equilibrio e sulla sega a catena.

- 7. Durante il taglio di un ramo che si trova sotto sollecitazione, calcolare sempre la possibilità che possa scattare all'indietro.** Liberando la tensione delle fibre del legno è possibile che il ramo teso possa colpire l'operatore e/o fargli perdere il controllo sulla sega a catena.
- 8. Si raccomanda di operare con la dovuta attenzione quando si taglia legname nel sottobosco ed alberi giovani.** Il materiale sottile può rimanere impigliato nella catena della sega e colpire l'operatore facendogli perdere l'equilibrio.
- 9. Portare la sega a catena tenendola all'impugnatura anteriore con la catena della sega ferma ed il binario di guida rivolto verso l'indietro. Trasportando oppure conservando la sega a catena applicare sempre la copertura di protezione.** Un trattamento accurato con la sega a catena contribuisce a ridurre la probabilità di un contatto accidentale con la catena della sega in funzione.
- 10. Attenersi alle istruzioni relative alla lubrificazione, alla tensione della catena ed alla sostituzione di accessori opzionali.** Una catena che non sia tesa oppure lubrificata correttamente può rompersi oppure aumentare il rischio di un contraccolpo.
- 11. Avere cura di tenere le impugnature sempre asciutte, pulite e completamente libere da olio e da materiale grasso.** Impugnature sporche di grasso e di olio sono scivolose e possono comportare la perdita del controllo.
- 12. Tagliare solo ed esclusivamente legname. Utilizzare la sega a catena solo per lavori per i quali essa è esplicitamente prevista** - Esempio: **Non utilizzare la sega a catena per tagliare materiali sintetici, murature oppure altri materiali costruttivi che non siano di legno.** Utilizzando la sega a catena per lavori non consentiti si possono provocare situazioni molto pericolose.

POSSIBILI CAUSE ED ACCORGIMENTI PER IMPEDIRE UN CONTRACCOLPO

Un contraccolpo si può verificare quando la punta del binario di guida tocca un oggetto oppure quando il legname si piega e la catena della sega resta bloccata nel taglio.

Toccando la punta del binario di guida si può in alcuni casi provocare una reazione improvvisa all'indietro nel corso della quale il binario di guida viene sollevato e scaraventato in direzione dell'operatore.

Il blocco della catena della sega sul bordo superiore del binario di guida può far ribaltare rapidamente la

guida in direzione dell'operatore.

Ognuna di queste reazioni può comportare la perdita di controllo sulla sega ed il pericolo concreto di seri incidenti. Mai fare affidamento esclusivamente sui dispositivi di sicurezza di cui dispone la sega a catena. Lavorando con una sega a catena si devono adottare diverse precauzioni in modo da poter operare con sicurezza ed evitare di creare situazioni pericolose. Un contraccolpo è la conseguenza di un utilizzo non appropriato oppure non corretto dell'elettroutensile. Esso può essere evitato soltanto prendendo misure adatte di sicurezza come dalla descrizione che segue:

- **Tenere la sega ben saldamente con entrambe le mani e con i pollici e le dita che afferrano saldamente le impugnature della sega a catena. Portare il proprio corpo e le braccia in una posizione che permetta di resistere bene ad ogni forza di contraccolpo.** Adottando misure adatte l'operatore è in grado di controllare pienamente le forze di contraccolpo che si possono sviluppare. Mai lasciare la sega a catena in modo incontrollato.
- **Evitare una posizione anomala del corpo e non eseguire tagli oltre l'altezza della spalla.** Questa accortezza consente di evitare che si possa toccare involontariamente la punta del binario di guida rendendo possibile un miglior controllo della sega a catena quando si presentano situazioni inaspettate.
- **Utilizzare sempre guide di ricambio e catene della sega esplicitamente prescritte dalla casa costruttrice.** In caso di guide di ricambio e catene della sega non appropriate vi è il pericolo che la catena possa rompersi oppure provocare un contraccolpo.
- **Per quanto riguarda l'affilatura e la manutenzione della catena della sega, attenersi alle istruzioni della casa costruttrice.** Limitatori di profondità troppo bassi aumentano la tendenza a provocare contraccolpi.

RISCHI RESIDUI

Anche se l'apparecchiatura viene utilizzata come previsto, esiste sempre un rischio residuo non evitabile. In base al tipo e alla struttura dell'apparecchio, potrebbero sussistere i seguenti pericoli potenziali:

- Contatto con i denti esposti della motosega (pericolo di taglio)
- Accesso alla catena in rotazione (pericolo di taglio)
- Movimento imprevedibile e improvviso della barra (pericolo di taglio)
- Proiezione di parti dalla motosega (pericolo di taglio/ferimento)
- Proiezione di parti del pezzo lavorato
- Contatto tra pelle e olio
- Perdita di udito se non vengono utilizzate le protezioni acustiche prescritte durante il lavoro

AVVERTENZE DI SICUREZZA PER LA SEGA ELETTRICA A CATENA CON ASTA DI PROLUNGA

1. Non utilizzare la macchina se l'operatore è stanco, ammalato o sotto l'effetto di alcol o sostanze stupefacenti.
2. Per ridurre i rischi, mantenere le persone presenti a una distanza di sicurezza dalla macchina durante questa operazione.
3. Tenere in considerazione il pericolo delle posizioni di lavoro e il rischio che l'operatore venga colpito dai rami che cadono dall'albero o che rimbalzano dopo essere caduti a terra. Rimuovere i rami tagliandoli in sezioni.
4. Mantenere sempre i piedi saldi a terra e un buon equilibrio durante l'uso. Utilizzare l'imbracatura fornita in dotazione.
5. Mantenere la macchina a una distanza sufficiente da linee elettriche aeree.

ISTRUZIONI PER LA SICUREZZA DEL PACCO BATTERIA

- a) **Non smontare, aprire o strappare le cellule secondarie o il pacco batteria.**
- b) **Non cortocircuitare un pacco batteria. Non conservare un pacco batteria disordinatamente in una scatola o un cassetto in cui potrebbero cortocircuitarsi tra essi o essere cortocircuitati da altri oggetti metallici.** Quando il pacco batteria non è in uso, tenerlo lontano da altri oggetti metallici come graffette, monete, chiavi, chiodi, viti e altri piccoli oggetti metallici, potrebbe avverarsi un collegamento tra i due terminali. Collegare i terminali della batteria potrebbe causare incendi o ustioni.
- c) **Non esporre il pacco batteria a calore o fuoco. Evitare di conservarli alla luce diretta del sole.**
- d) **Non sottoporre il pacco batteria a scosse meccaniche.**
- e) **In caso di perdite da una cellula, evitare che il liquido entri in contatto con la pelle o gli occhi. In caso di contatto, lavare l'area interessata con abbondante acqua e consultare un medico.**
- f) **Se si ingerisce una cellula o un pacco batteria, consultare immediatamente un medico.**
- g) **Tenere le cellule e il pacco batteria puliti e asciutti.**
- h) **Pulire i terminali delle cellule e del pacco batteria con un panno pulito e asciutto nel caso in cui si sporchino.**
- i) **Il pacco batteria deve essere caricato prima**

dell'uso. Utilizzare sempre il caricatore corretto e consultare le istruzioni.

- j) **Non lasciare un pacco batteria in carica se non in uso.**
- k) **Dopo lunghi periodi di conservazione, potrebbe essere necessario caricare e scaricare le cellule o il pacco batteria diverse volte per ottenere le massime prestazioni.**
- l) **Il pacco batteria offre prestazioni ottimali se utilizzate ad una temperatura ambiente normale (20°C ± 5°C).**
- m) **Quando si smaltiscono i pacchi batteria, tenere i pacchi batteria con diversi sistemi elettrochimici separati gli uni dagli altri.**
- n) **Ricaricare solo con il caricatore specificato da WORX. Non utilizzare caricatori diversi da quelli forniti per l'uso specifico con l'apparecchiatura.** Un caricatore adatto ad un tipo di pacco batteria potrebbe provocare rischi d'incendi quando è usato con un altro pacco batteria.
- o) **Non utilizzare un pacco batteria non progettato per l'uso con l'apparecchiatura.**
- p) **Tenere il pacco batteria fuori dalla portata dei bambini.**
- q) **Conservare i documenti originali del prodotto per riferimenti futuri.**
- r) **Rimuovere la batteria dall'apparecchiatura, se non in uso.**
- s) **Smaltire adeguatamente.**

SALVARE LE PRESENTI ISTRUZIONI

Istruzioni riguardanti le tecniche corrette per l'abbattimento, la sramatura e il taglio trasversale

1. Taglio di alberi

Se vi sono due o più persone che tagliano i rami ed abbattano alberi contemporaneamente, la distanza tra gli operatori che tagliano i rami e quelli che tagliano il tronco dell'albero deve corrispondere almeno al doppio dell'altezza dell'albero che si sta abbattendo. Quando si abbattano alberi si deve stare attenti ad evitare di esporre altre persone a qualunque tipo di pericolo, a non colpire nessuna linea di alimentazione ed a non provocare nessun tipo di danno materiale. Se un albero dovesse arrivare a toccare una linea di alimentazione, informare immediatamente l'ente di approvvigionamento dell'energia. In caso di lavori di taglio eseguiti su pendii, chi opera con la sega a catena sul terreno deve prendere posizione nella parte superiore dell'albero che si intende abbattere perché il tronco dell'albero dopo il taglio probabilmente rotolerà oppure scivolerà verso il basso.

Prima di iniziare l'operazione di abbattimento di un albero si deve predisporre una via di fuga che sia agibile in caso d'emergenza e, se necessario, se

ne dovrà preparare una. La via di fuga deve essere tracciata alle spalle dell'operatore e diagonalmente rispetto alla linea di caduta dell'albero, come illustrato nella Figura 1.

Per poter determinare la direzione della caduta dell'albero, prima dell'abbattimento è necessario prendere in considerazione la pendenza naturale dell'albero, la posizione dei rami più grossi e la direzione del vento.

Liberare l'albero da ogni tipo di sporcizia, materiale pietroso, corteccia staccata dal tronco, chiodi, graffi e fili di ferro.

2. Esecuzione di intaglio a tacche

Praticare un intaglio pari a 1/3 del diametro, come illustrato nella Figura 1. Eseguire prima l'intaglio a tacche inferiore orizzontale (W). Questa procedura consente di evitare che la catena della sega oppure il binario di guida possano rimanere incastrati quando ci si accinge ad eseguire il secondo intaglio a tacche (X).

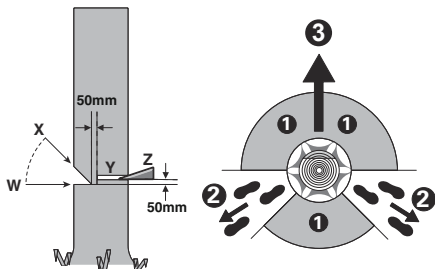
3. Esecuzione del taglio di abbattimento

Praticare il taglio di abbattimento almeno (Y) 50 mm sopra l'intaglio direzionale orizzontale, come illustrato nella Figura 1. Eseguire il taglio di abbattimento in posizione parallela rispetto all'intaglio a tacche orizzontale. Eseguire il taglio di abbattimento con una profondità tale da far rimanere soltanto una striscia ritagliata (striscia di abbattimento) che possa fungere da cerniera. La striscia ritagliata ha la funzione di impedire che l'albero possa girare su se stesso e cadere nella direzione sbagliata. Non tagliare mai completamente la striscia ritagliata.

Quando il taglio di abbattimento si avvicina alla cerniera l'albero dovrebbe cominciare a cadere. In caso dovesse essere chiaro che l'albero potrebbe non cadere nella direzione richiesta oppure potrebbe piegarsi all'indietro e bloccare la catena della sega, interrompere il taglio di abbattimento e inserire nel taglio cunei di legno, di materiale sintetico o di lega leggera (Z) in modo da aprire ulteriormente il taglio e dare all'albero la linea di caduta richiesta (3).

Quando l'albero inizia a cadere, togliere la sega a catena dal taglio, spegnere la macchina, posarla ed abbandonare l'area di pericolo utilizzando la via di fuga precedentemente determinata (2). Attenzione a rami che potrebbero cadere dall'alto ed evitare di inciampare. (Vedi Fig. 1)

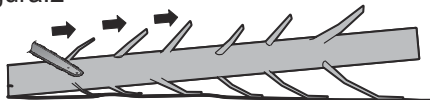
Figura.1



4. Sramatura

Con questo termine si intende il taglio di rami dal tronco dell'albero abbattuto. Nel corso della sramatura, non tagliare mai prima i rami più grandi che indicano verso il basso e sui quali l'albero poggia. Rimuovere i rami più piccoli con un taglio solo, come illustrato nella Figura 2. In caso di rametti che si trovano sotto sollecitazione, tagliarli dalla parte inferiore verso l'alto in modo da evitare che la sega possa incastrarsi.

Figura.2

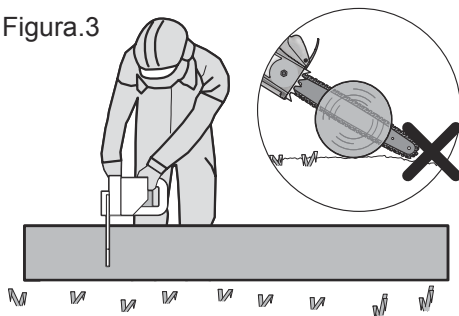


5. Taglio di tronco d'albero

Con questo termine si intende il taglio sulla lunghezza richiesta dell'albero abbattuto. Assicurarsi sempre una posizione operativa sicura ed una distribuzione uniforme del peso del corpo su entrambi i piedi. Se possibile, il tronco dovrebbe poggiare su rami, travi oppure cunei. Seguire le istruzioni semplici previste per facili operazioni di taglio.

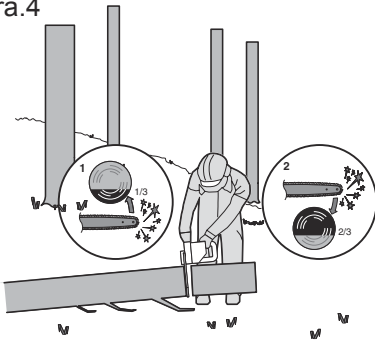
Quando il tronco è sostenuto per l'intera lunghezza, come illustrato nella Figura 3, praticare il taglio finale dall'alto (soprataglio), evitando di toccare il terreno, in quanto la catena diventerebbe molto meno affilata.

Figura.3



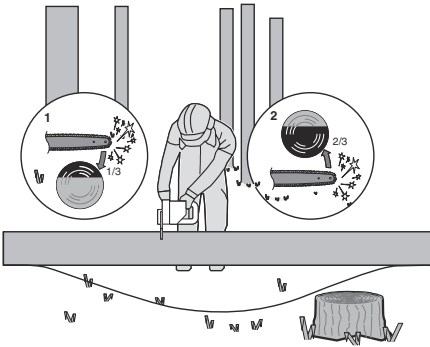
Quando il tronco è supportato su un lato, come illustrato in figura 4, tagliare 1/3 del diametro dalla parte inferiore (sottotaglio) (1). Quindi praticare il taglio finito tramite il sottostrato per incontrare (2) il primo taglio.

Figura.4



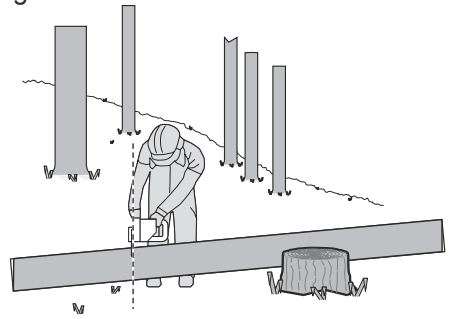
Quando il tronco è supportato da entrambe le estremità, come illustrato nella Figura 5, tagliare 1/3 del diametro dall'alto (soprataglio) (1); Quindi praticare il taglio finale tagliando i 2/3 inferiori per incontrare (2) il primo taglio.

Figura.5



Durante il taglio su terreni pendenti, l'operatore deve posizionarsi sempre a monte del tronco, come illustrato nella Figura 6. Per poter mantenere il controllo completo al momento del "taglio completo", quando ci si avvicina alla fine del taglio ridurre la pressione esercitata senza allentare minimamente la presa sulle impugnature della sega a catena. Fare sempre in modo che la catena della sega non arrivi a toccare il terreno. Una volta terminato completamente il taglio, prima di allontanare la sega a catena dal punto di taglio, attendere che la catena della sega si sia fermata completamente. Prima di passare da un albero all'altro, spegnere sempre il motore della sega a catena.

Figura.6



SYMBOLI

	Per ridurre il rischio di lesioni, l'utente deve leggere il manuale di istruzioni.
	Attenzione
	Indossare protezione per le orecchie.
	Indossare protezione per gli occhi.
	Indossare una mascherina antipolvere.
	Non esporre alla pioggia o all'acqua.
	Indossare un dispositivo di protezione per il capo.
	Indossare guanti protettivi.
	Calzature protettive.

	Avvertenza di pericolo da linee elettriche aeree.
	I prodotti elettrici non possono essere gettati tra i rifiuti domestici. L'apparecchio da rottamare deve essere portato al centro di riciclaggio per un corretto trattamento. Controllare con le autorità locali o con il rivenditore per localizzare il centro di riciclaggio più vicino.
 Li-Ion 	Non smaltire le batterie. Portare le batterie scariche presso un punto locale di riciclaggio o di raccolta.
	Non bruciare.
	Non esporre alla pioggia o all'acqua.
	Deve essere evitato il contatto dell'estremità della barra con qualsiasi oggetto.
	Il contatto con l'estremità può provocare l'improvviso movimento della barra verso l'alto o il basso provocando gravi lesioni all'operatore.
 	Usare sempre due mani quando si adopera la motosega.
<p>x1NR18/65-y: Batterie cilindriche agli ioni di litio con diametro di 18 mm e altezza max di 65 mm; "x" rappresenta un numero di batterie collegate in serie, vuoto se 1; "-y" rappresenta un numero di batterie collegate in parallelo, vuoto se 1.</p>	


ELENCO DEI COMPONENTI

1. **IMPUGNATURA POSTERIORE**
2. **INTERRUTTORE DI AVVIO/ARRESTO**
3. **TAPPO DEL SERBATOIO PER L'OLIO**
4. **IMPUGNATURA ANTERIORE**
5. **PROTEZIONE MANO**
6. **LAMA**
7. **CATENA DELLA SEGA**
8. **MANOPOLA PER TENSIONE DELLA CATENA**
9. **CUFFIA DI PROTEZIONE**
10. **UNITÀ BATTERIA ***
11. **SERRATURA A SCATTO UNITÀ BATTERIA ***
12. **PROTEZIONE POSTERIORE PER LA MANO**
13. **RAMPONE**
14. **INDICATORE DEL LIVELLO DELL'OLIO**
15. **PULSANTE DI SICUREZZA**
16. **ROCCHETTO PER CATENA**
17. **SIMBOLO DELLA DIREZIONE DI MARCIA E DI TAGLIO**
18. **UGELLO PER L'OLIO**
19. **MORSETTO A BARRA**
20. **FORO DI FISSAGGIO PER LA BARRA**
21. **TRAVERSINO DI GUIDA PER LA LAMA**
22. **COPRICATENA/CUSTODIA PER IL TRASPORTO*(FODERO)**
23. **FERMO DI TENSIONATURA DELLA CATENA (VEDI FIG. A)**
24. **IMPUGNATURA ASTA DI PROLUNGA***
25. **POMELLO DI BLOCCAGGIO***
26. **LEVA DI FISSAGGIO***
27. **SEZIONE INTERNA DELL'ASTA***
28. **POMELLO DI BLOCCAGGIO***
29. **STAFFA DI ATTACCO ASTA DI PROLUNGA***
30. **PULSANTE DI SICUREZZA SULL'IMPUGNATURA DELL'ASTA DI PROLUNGA***
31. **INTERRUTTORE DI ACCENSIONE/SPEGNIMENTO SULL'IMPUGNATURA ASTA DI PROLUNGA***
32. **TRACCOLLA***

* Gli accessori illustrati o descritti nelle istruzioni per l'uso non sono sempre compresi nella fornitura.

DATI TECNICI

Codice **WG322E WG322E.9 WG323E WG323E.9 (3 - designazione del macchinario, rappresentativa di motosega e potatore)**

	WG322E	WG322E.9	WG323E	WG323E.9
Tensione	20V  Max**			
Lunghezza della lama	25cm			
Velocità della catena	3.8m/s			
Capacità del serbatoio di scorta olio	130ml			
Passo della catena	3/8"			
Quantità degli elementi di trazione	40			
Calibro della catena	0.043"			
Tipo catena adattativo	ES: 3/8.043-40E/ QIRUI : A0(T)-40E/ OREGON: 90PX040G			
Tipo barra adattativo	ES: ES104SDEA041/ QIRUI : PO10-43SR(T) / OREGON: 104MLEA041			
Tempo di ricarica	5hrs			
Peso (catena e barra inclusa)	2.8kg	2.4kg	4.6kg	4.2kg

**Voltaggio misurato senza carico. Il voltaggio iniziale della batteria raggiunge un massimo di 20 volt. Il voltaggio nominale è di 18 volt.

ACCESSORI

	WG322E	WG322E.9	WG323E	WG323E.9
Catena per la sega	1	1	1	1
Barra	1	1	1	1
Custodia per il trasporto	1	1	1	1
Asta di prolunga (WA0166)	/	/	1	1
Caricabatteria (WA3760)	1	/	1	/
Unità batteria (WA3551)	1	/	1	/
Tracolla	/	/	1	1

Si raccomanda di acquistare tutti gli accessori nello stesso negozio in cui è stato acquistato l'attrezzo. Fare riferimento alla confezione dell'accessorio per altri dettagli. Il personale del negozio può aiutarvi e consigliarvi.

INFORMAZIONI SUL RUMORE

	WG322E WG322E.9	WG323E WG323E.9
Pressione sonora ponderata A	$L_{pA} = 87.9 \text{ dB(A)}$	$L_{pA} = 85.7 \text{ dB(A)}$
Potenza sonora ponderata A	$L_{wA} = 96 \text{ dB(A)}$	$L_{wA} = 96 \text{ dB(A)}$

$K_{pA} = 3.0 \text{ dB(A)}$

Indossare protezione per le orecchie.



INFORMAZIONI SULLA VIBRAZIONE

I valori totali di vibrazione sono determinati secondo lo standard EN 60745:

Valore emissione vibrazioni $a_h < 2.5 \text{ m/s}^2$	Incertezza $K = 1.5 \text{ m/s}^2$
---	------------------------------------

Si può usare il valore totale della vibrazione dichiarata per riportare un attrezzo all'altro e anche come verifica preliminare dell'esposizione.

AVVERTENZA: Il valore delle vibrazioni emesse durante il reale utilizzo dello strumento può differire dal valore dichiarato in base ai modi con cui viene usato lo strumento, ai seguenti esempi e ad altre variabili:

Come viene usato l'apparecchio e i materiali tagliati o forati.

Le condizioni e la buona manutenzione dello strumento.

L'uso dell'accessorio corretto per il taglio e la sua affilatura, nonché le sue buone condizioni.

La stretta sull'impugnatura e l'eventuale utilizzo di accessori antivibrazione.

L'adeguatezza dell'utilizzo dell'utensile rispetto a quanto previsto.

Questo strumento potrebbe causare la sindrome da vibrazioni mano-braccio se il suo utilizzo non viene gestito correttamente.

AVVERTENZA: Per essere precisi, una stima del livello di esposizione nelle attuali condizioni di utilizzo dovrebbe anche tenere conto di tutte le parti del ciclo operativo, come le volte in cui lo strumento viene spento e il tempo in cui viene lasciato girare a vuoto senza realmente fare il suo lavoro. Questo potrebbe ridurre significativamente il livello di esposizione sul periodo di lavoro totale.

Un aiuto a minimizzare il proprio rischio di esposizione alle vibrazioni.

USARE sempre scalpelli, trapani e lame affilati.

Conservare questo strumento sempre in conformità a queste istruzioni e mantenerlo ben lubrificato (dove appropriato).

Se lo strumento deve essere usato regolarmente, investire in accessori antivibrazione.

Pianificare il programma di lavoro in modo da suddividere i lavori che implicano le maggiori vibrazioni nell'arco di più giorni.

USO CONFORME ALLE NORME

La macchina è idonea per abbattere alberi come anche per tagliare tronchi di alberi, rami, travi di legno, tavole, ecc. e può essere utilizzata per eseguire tagli longitudinalmente e trasversalmente rispetto alla direzione delle fibre del legname. La macchina non è adatta per l'esecuzione di tagli di materiali minerali.

MONTAGGIO

AVVERTENZA! Non installare la batteria prima che sia stata assemblata completamente.

Maneggiando la catena della sega avere cura di portare sempre dei guanti di protezione.

MONTAGGIO DELLA LAMA FISSA E DELLA CATENA DELLA SEGA

1. Estrarre con attenzione tutti i componenti dall'imballaggio.
2. Collocare la motosega su una superficie piana e compatta.
3. Utilizzare esclusivamente catene WORX originali o catene raccomandate per la barra di guida.
4. Posare la catena della sega (7) nella scanalatura rotante della lama (6). Assicurarsi che la catena si trovi nella direzione di funzionamento mettendola a confronto con l'icona della catena sulla barra di guida, oppure facendo riferimento al simbolo della direzione della catena (17) sul corpo della sega. Assicurarsi che il fermo di tensionatura della catena (23) sia rivolto verso l'esterno. (Vedi Fig. A)
5. Posizionare le maglie di catena attorno al rochetto per catena (16) in modo tale che il bullone di fissaggio (21) ed entrambi i traversi di guida per la lama (19) arrivino a fare presa nel foro longitudinale della lama (6). (Vedi Fig. B1, B2)
6. Controllare se tutte le parti sono posizionate correttamente. Accertarsi che ci siano 3 maglie in presa sul pignone motore (Vedi Fig. C1), evitare pieghe come illustrato in Fig. C2. In caso di pieghe, afferrare la catena sulla barra di guida appena davanti alla piega e stendere la piega.

NOTA: la catena deve girare liberamente e non avere pieghe.

7. Installare il copricatena (9) e serrare ruotando la manopola tendicatena (8) in senso orario. (Vedi Fig. D)



AVVERTENZA: La catena non è ancora in tensione. Applicare tensione alla catena come descritto nella sezione "Tensionamento della catena". Ora è necessario ispezionare la catena per assicurarsi che sia tesa correttamente.

SERRAGGIO DELLA CATENA DELLA SEGA (Vedi Fig. E1, E2)

NOTA: Le catene nuove tenderanno ad allungarsi. Verificare frequentemente il tensionamento della catena dopo la prima installazione e serrare opportunamente quando la catena (7) non aderisce alla barra di guida (6).



AVVERTENZA:

- Rimuovere la batteria dall'apparecchio prima di regolare la tensione della catena.
 - Le lame della catena sono affilate. Usare guanti protettivi quando si maneggia la catena.
 - Mantenere sempre la tensione appropriata. Una catena allentata aumenta i rischi di contraccolpi. Una catena allentata può uscire dalla scanalatura della barra. Questo può provocare lesioni all'operatore e danneggiare la catena. Una catena allentata provoca il rapido consumo di catena, barra e pignone.
1. Poggiare la sega a catena su una superficie piana.
 2. Ruotare la manopola per tensione della catena (8) in senso orario fino a quando sarà stata raggiunta la corretta tensione della catena.

NOTA: La tensione aumenta automaticamente ruotando in senso orario la manopola per tensione della catena (8). Il meccanismo d'arresto previene l'allentamento della tensione della catena.

3. Per eliminare l'allentamento della catena, inclinare la sega in avanti (Vedi Fig. E1) con la punta della barra di guida (6) rivolta verso l'alto. Ceci supprimerà le mou de la chaîne.
4. Stringere completamente la manopola per tensione catena (8) ruotandola in senso orario.
5. Ricontrollare la tensione regolata tramite la manopola di tensionamento automatico della catena. La corretta tensione della catena viene raggiunta quando è possibile alzare la catena (7) dalla barra (6) di circa la metà della profondità della maglia di trazione, nel centro. Questa prova deve essere eseguita sollevando la catena con una mano, senza aggiungere altra forza al peso della macchina. (Vedi Fig. E2)

NOTA: La tensione della catena (7) è corretta quando è possibile sollevare quest'ultima dalla barra (6) e la maglia di trazione si trova all'interno del binario della barra (6).

NOTA: Durante il taglio la catena (7) si allenta, perdendo la tensione corretta. Se la catena è allentata, svitare completamente la manopola per tensione della catena (8) o farle compiere tre giri completi in senso antiorari, quindi serrare la manopola (8) di nuovo per regolare la tensione della catena ripetendo i passaggi 1-4 elencati sopra.

ASSEMBLARE L'ASTA CON PROLUNGA (solo per WG323E, WG323E.9)

Allineare e inserire l'impugnatura dell'asta di prolunga nell'albero. Ruotare il pomello di bloccaggio in senso orario per bloccarla. (Vedi Fig. F1, F2)

NOTA: assicurarsi che l'albero sia saldamente bloccato in posizione.

ASSEMBLAGGIO DELL'ASTA DI PROLUNGA ALLA MACCHINA (Vedi Fig. G1)

Passaggio 1 Allineare e inserire la staffa di attacco dell'asta di prolunga (29) nella sega.

Passaggio 2 Ruotare il pomello di bloccaggio (28) in senso antiorario per bloccare l'asta di prolunga alla macchina.

NOTA: assicurarsi che l'asta di prolunga sia bloccata in posizione prima di mettere in funzione la sega.

RIMOZIONE DELL'ASTA DI PROLUNGA (Vedi Fig. G2)

Passaggio 1 Ruotare il pomello di bloccaggio (28) in senso orario per sbloccare l'asta di prolunga tirarla verso l'esterno

Passaggio 2 Fare scorrere la sega per staccare l'asta di prolunga e rimuoverla.



AVVERTENZA!

• Quando si utilizza la macchina con l'asta di prolunga, assicurarsi che la batteria sia stata rimossa.

Regolazione della lunghezza dell'asta telescopica Questa sega è dotata di un'asta telescopica che si allunga da 2m (asta completamente ritratta) a 2.7m (asta completamente estesa).

La leva di fissaggio (26) serve per mantenere l'asta telescopica a qualsiasi lunghezza.

1. Per allungare l'asta telescopica, allentare l'asta telescopica, come illustrato nella Fig. H. L'asta telescopica scorrerà liberamente.
2. Estrarre la sezione interna dell'asta fino a ottenere la lunghezza di prolunga desiderata. Nota: estendere l'asta telescopica solo alla lunghezza minima necessaria per raggiungere il ramo da tagliare.
3. Per bloccare l'asta telescopica in posizione, serrare la leva di fissaggio, come illustrato nella Fig. H.

LUBRIFICAZIONE DELLA CATENA



IMPORTANTE: Al momento della consegna della sega a catena, il contenitore per l'olio adesivo è vuoto.

Prima di utilizzare la macchina, è quindi importante riempire il contenitore versandovi l'apposito l'olio. Se si utilizza la sega a catena senza l'olio adesivo per seghe a catena oppure quando il livello dell'olio dovesse essere al di sotto della marcatura del minimo i arrecano seri danni alla catena.

NOTA: La lunga durata e le buone prestazioni di taglio della catena dipendono da una lubrificazione ottimale. Per questo motivo,

durante l'esercizio, la lubrificazione della catena della sega avviene automaticamente.

RIEMPIMENTO DELL'OLIO:



AVVERTENZA: rimuovere la batteria prima di riempire il serbatoio dell'olio.

1. Poggiare su una superficie adatta la sega a catena con il tappo del serbatoio per l'olio (3) rivolto verso l'alto.
2. Pulire con uno straccio la zona intorno al tappo del serbatoio per l'olio e svitare il tappo.
3. Aggiungere olio per motoseghe finché il serbatoio è pieno.
4. Accertarsi che nel serbatoio dell'olio non possa penetrarvi sporcizia, ricollocare il tappo dell'olio (3) e serrarlo manualmente in senso orario.



IMPORTANTE: per consentire la ventilazione tra il serbatoio per l'olio e la zona circostante vi sono sul tappo del serbatoio per l'olio piccoli canali di compensazione. Al fine di evitare una fuoriuscita di olio prestare sempre attenzione affinché la sega, in caso di inattività, sia posata sempre in posizione orizzontale (tappo del serbatoio per l'olio (3) rivolto verso l'alto). Al fine di evitare danni alla sega a catena, utilizzare esclusivamente il raccomandato olio biodegradabile adesivo (Grade: ISO VG32). Questo è disponibile presso il negozio nel quale è stata acquistata la motosega o in qualsiasi altra ferramenta. Mai utilizzare olio riciclato oppure olio vecchio. In caso di utilizzo di olio non omologato si viene a perdere ogni diritto di garanzia.

Non ingerire. Se il prodotto dovesse essere ingerito, rivolgersi immediatamente a un medico. Tenere fuori della portata dei bambini. Conservare lontano da calore e fiamme libere.

CONTROLLO DELL'INGRASSATORE AUTOMATICO

È possibile verificare il funzionamento corretto dell'ingrassatore automatico mettendo in funzione la motosega e puntando l'estremità della Barra di guida (6) verso un pezzo di cartone o carta per terra. Se si sviluppa un motivo crescente di lubrificante sul cartone, l'ingrassatore automatico funziona correttamente. Se non è presente alcun motivo di lubrificante, nonostante il serbatoio sia pieno, contattare l'agente del servizio clienti WORX o un agente autorizzato dell'assistenza WORX.



ATTENZIONE: assicurarsi che la catena non tocchi per terra. Lasciare uno spazio di sicurezza di 30 cm.

FUNZIONAMENTO

1. PRIMA DI UTILIZZARE L'UTENSILE A BATTERIA



ATTENZIONE Il caricabatteria e il gruppo batteria sono progettati specificamente per funzionare insieme; non tentare di utilizzare altri dispositivi. Non inserire o far entrare oggetti metallici nelle connessioni del caricabatteria o del gruppo batteria; può verificarsi un guasto elettrico pericoloso.

NOTA: L'unità batteria fornita è SCARICA ed è necessario caricarla prima di utilizzarla. Il caricatore fornito in dotazione è adatto alla batteria agli ioni di Litio installata sulla macchina. Non usare altri tipi di caricatore.

2. CARICAMENTO DELL'UNITÀ BATTERIA

La batteria agli ioni di Litio è protetta per impedire che si scarichi completamente. Quando la batteria è scarica, la macchina si spegne automaticamente grazie a un circuito di protezione. In ambienti caldi, dopo usi prolungati, il pacco batteria può diventare troppo caldo per consentire il caricamento. Consentire alla batteria di raffreddarsi prima di ricaricarla.

3. RIMOZIONE E INSTALLAZIONE DELL'UNITÀ BATTERIA (Vedi Fig. I1, I2, I3)

Premere il pulsante di rilascio del pacco batteria per rimuoverlo dall'utensile. Dopo la ricarica, inserire il pacco batteria nello sportello della batteria. Sarà sufficiente una leggera pressione finché non si sente un clic. Verificare che la batteria sia fissata saldamente.

NOTA: Quando lo si rimuove tenere fermo il pacco batteria per evitare di lasciarlo cadere e di farsi male.

4. Avviare ed arrestare la macchina (Vedi Fig. J)



ATTENZIONE: prima di utilizzare l'utensile senza filo controllare la batteria. Utilizzare la batteria riportata nell'elenco nella sezione degli accessori.

Per **accendere** la macchina, premere verso l'interno il pulsante di sicurezza (15), poi premere completamente l'interruttore di avvio/arresto (2) e tenerlo in questa posizione. A questo punto si può rilasciare il pulsante di sicurezza. Per **spegnere** la macchina rilasciare l'interruttore avvio/arresto.

5. TAGLIO



IMPORTANTE: Il serbatoio dell'olio è pieno? Prima di iniziare a lavorare ed ad intervalli regolari durante i lavori, controllare l'indicatore del livello dell'olio (14). (Vedi Fig. K1) Aggiungere dell'altro olio, quando il livello dell'olio ha raggiunto il bordo inferiore nella finestrella di controllo. Il contenuto del serbatoio è sufficiente per circa 12 minuti, a seconda delle pause e dell'intensità del lavoro. Durante i lavori di taglio, controllare la tensione della catena ogni 10 minuti.

- 1) Inserire il pacco batteria nella macchina.
- 2) Assicurarsi che la sezione di tronco da tagliare non giaccia per terra. Questo impedirà alla catena (7) di toccare per terra mentre taglia il tronco. Toccare per terra mentre la catena si muove è pericoloso e smusserà la catena.
- 3) Utilizzare entrambe le mani per afferrare la sega con sicurezza. Utilizzare sempre la mano sinistra per afferrare la maniglia frontale (4) e la mano destra per afferrare la maniglia posteriore (1). La presa deve essere solida. Afferrare saldamente le impugnature tenendo le mani sempre ben serrate (Vedi Fig. K2).
- 4) Accertarsi di avere un equilibrio stabile. Tenere i piedi e le spalle ben divaricati. Distribuire il peso in modo uniforme su entrambi i piedi.
- 5) Quando si è pronti a praticare un taglio, premere il pulsante di sblocco (15) completamente in dentro con il pollice destro e premere il grilletto. Questo accenderà la sega. Rilasciare l'interruttore per spegnere la sega. Assicurarsi che la sega funzioni alla massima velocità prima di iniziare un taglio.
- 6) Quando si inizia un taglio, posizionare lentamente la catena in movimento contro il legno. Il legno dovrebbe essere il più vicino possibile al corpo della sega. Tenere la sega saldamente in posizione per evitare possibili rimbalzi o scivolamenti (movimento laterale) della sega.
- 7) Guidare la sega utilizzando una leggera pressione e non esercitare una forza eccessiva sulla sega, lasciando che la sega compia il proprio lavoro. Il motore si sovraccaricherà e potrebbe bruciarsi. La sega funzionerà meglio e più sicuramente se utilizzato alla giusta velocità.
- 8) Rimuovere la sega da un taglio con la sega funzionante alla massima velocità. Arrestare la sega rilasciando il pulsante di accensione/spengimento (2). Assicurarsi che la catena si sia arrestata prima di posare la sega.
- 9) Continuare a fare pratica su ciocchi di scarto in un'area di lavoro sicura fino a quando ci si sente a proprio agio, utilizzando un movimento fluido e una velocità di taglio stabile.

Dispositivi di sicurezza anti-rinculo su questa sega

Questa sega è dotata di una catena a basso rinculo e di una barra di guida a rinculo ridotto. Entrambi gli elementi riducono le probabilità di rinculo. Tuttavia, può ancora verificarsi il rinculo con questa sega. Per evitare il pericolo di contraccolpi della sega.

- Utilizzare entrambe le mani per afferrare la sega quando è in funzione. La presa deve essere solida. Afferrare saldamente le impugnature tenendo le mani sempre ben serrate.
- Fare in modo che tutti gli strumenti di sicurezza siano in posizione sulla sega. Assicurarsi che funzionino correttamente.
- Non inclinarsi eccessivamente in avanti né tagliare tenendo la motosega più alta delle spalle.
- Avere cura di mettersi in posizione sicura e di mantenere l'equilibrio.

- Tenere una posizione in piedi leggermente a sinistra della sega. Questo fa sì che il corpo non sia in linea diretta con la catena.
- Fare in modo che la punta della guida non tocchi nulla quando la catena è in movimento.
- Non tentare mai di tagliare due tronchi allo stesso tempo. Tagliare un solo tronco alla volta.
- Non affondare la punta della guida o non tentare di eseguire tagli troppo angolati (incidendo il legno utilizzando la punta della guida).
- Prestare attenzione allo spostamento di rami e ad altre forze che possono chiudere il taglio e bloccare o rallentare la catena.
- Utilizzare estrema cautela quando si reinserisce il potatore in un taglio precedentemente iniziato.
- Utilizzare esclusivamente la catena e la barra di guida (6) a basso rinculo fornite in dotazione con questa sega a catena.
- Mai lavorare con una catena allentata, allargata oppure eccessivamente consumata. Fare attenzione ad avere sempre la corretta tensione della catena.

Come utilizzare la sega in modo sicuro

1. Usare la motosega solo con un equilibrio saldo.
2. Tenere la motosega sul lato destro del corpo (Vedi Fig. L).
3. La catena (7) deve essere in funzione alla massima velocità prima di entrare a contatto con il legno.
4. Utilizzare i ramponi (13) per fissare la motosega nel legno prima di iniziare il taglio.
5. Utilizzare i ramponi come punto di leva durante il taglio. (Vedi Fig. M)
6. Non utilizzare la motosega con le braccia completamente estese, non tentare di segare zone difficili da raggiungere e non stare in piedi su una scala a pioli durante il taglio (Vedi Fig. N).

Mai utilizzare la motosega al di sopra dell'altezza delle spalle.

TAGLIO DI LEGNAME SOTTO SOLLECITAZIONE (VEDI FIG. O)



AVVERTENZA: Durante il taglio di un ramo che si trova sotto sollecitazione, calcolare sempre la possibilità che possa scattare all'indietro. Liberando la tensione delle fibre del legno è possibile che il ramo teso possa colpire l'operatore e/o fargli perdere il controllo sulla sega a catena.

Se il legno poggia su entrambi i lati, tagliare prima da sopra (Y) (soprataglio) per un terzo attraverso il tronco e poi tagliare il tronco completamente da sotto (Z) allo stesso punto al fine di evitare che la sega possa scheggiare oppure restare bloccata. Così facendo, evitare che la catena della sega possa arrivare a toccare per terra. Se il legname è posato su un solo lato, tagliare prima da sotto (Y) (sottostrato) per un terzo verso l'alto e poi tagliare il tronco completamente da sopra (Z) allo stesso punto al fine di evitare che la sega possa scheggiare oppure restare bloccata.

USO DELLA SEGA CON ASTA TELESCOPICA (SOLO PER WG323E, WG323E.9)

Taglio con tracolla (Vedi Fig. P1)

Il palo di prolunga è fornito con una tracolla che dà un sostegno supplementare quando si solleva sega a catena. Agganciare la tracolla al palo di prolunga ed attorno alla spalla. La tracolla può anche attenuare l'impatto se sega a catena cadute al termine di un taglio.

Taglio con l'asta di prolunga

1. Inserire il pacco batteria nella macchina.
2. Prima di tagliare un ramo alto, considerare tutti i punti elencati nella sezione precedente "Potare i rami" ma presta particolare attenzione al percorso che potrebbe compiere il ramo cadendo.



ATTENZIONE: non posizionarsi direttamente sotto un ramo che viene tagliato. Fare in modo che i passanti rimangano lontani. Non salire su una scala o qualsiasi tipo di supporto instabile durante l'utilizzo dell'utensile. Non utilizzare la sega in prossimità di cavi, linee elettriche e telefoniche. Mantenersi ad una distanza di 3m (10 piedi) da tutte le linee elettriche. (Vedi Fig. P2-P5)

3. Assicurarsi che la sezione di tronco da tagliare non giaccia per terra. Quando si utilizza la sega con asta telescopica afferrare solo le zone specificamente designate (Vedi Fig. P6). La presa deve essere soldia. Afferrare saldamente le impugnature tenendo le mani sempre ben serrate.
4. Accertarsi di avere un equilibrio stabile. Tenere i piedi e le spalle ben divaricati. Distribuire il peso in modo uniforme su entrambi i piedi.
5. Quando si è pronti a praticare un taglio, premere il pulsante di sblocco (30) completamente, quindi premere a fondo l'interruttore di accensione/spengimento (31) (Vedi Fig. P7). Questo accenderà la sega. Rilasciare l'interruttore per spegnere la sega. Assicurarsi che la sega funzioni alla massima velocità prima di iniziare un taglio.
6. Quando si inizia un taglio, posizionare lentamente la catena in movimento contro il legno. Tenere la sega saldamente in posizione per evitare possibili rimbaldi o scivolamenti (movimento laterale) della sega.
7. Guidare la sega utilizzando una leggera pressione e non esercitare una forza eccessiva sulla sega. Il motore si sovraccaricherà e potrebbe bruciarsi. La sega funzionerà meglio e più sicuramente se utilizzato alla giusta velocità.
8. Rimuovere la sega da un taglio con la sega funzionante alla massima velocità. Arrestare la sega rilasciando il pulsante di accensione/spengimento. Assicurarsi che la catena si sia arrestata prima di posare la sega.

POTATURA DI UN ALBERO



AVVERTENZA: evitare i contraccolpi. Un contraccolpo può dare luogo a lesioni personali gravi o a un decesso.

Per evitare il rischio di contraccolpi, consultare la sezione "Contraccolpi".

AVVERTENZA: Non utilizzare la sega con asta telescopica se l'operatore si trova:

- su un albero;
- su una scala o in qualsiasi altra posizione instabile;
- in qualsiasi posizione scomoda.

Si potrebbe perdere il controllo della sega con la possibilità che si verifichino lesioni personali gravi.



AVVERTENZA: mentre si utilizza la sega con asta telescopica non allungare le braccia al di sopra delle spalle.

AVVERTENZA: rivolgersi a un professionista se ci si trova ad affrontare condizioni operative al di là delle proprie capacità.

La potatura di un albero consiste nel tagliare rami di un albero in vita. Accertarsi di avere un equilibrio stabile. Tenere i piedi e le spalle ben divaricati. Distribuire il peso in modo uniforme su entrambi i piedi.

Per potare un albero seguire le istruzioni descritte di seguito.

1. Praticare il primo taglio a 15 cm dal tronco dell'albero sulla parte inferiore del ramo principale. Per effettuare questo taglio utilizzare la barra di guida Tagliare 1/3 del diametro del ramo (Vedere la Fig. P8).
2. Spostarsi da 5 a 10 cm verso l'esterno del ramo. Effettuare un secondo taglio da sopra il ramo. Continuare a tagliare finché il ramo si stacca completamente dall'albero.
3. Eseguire un terzo taglio il più vicino possibile al tronco nella parte inferiore del moncone del ramo. Per effettuare questo taglio utilizzare la barra di guida Tagliare 1/3 del diametro del moncone del ramo.
4. Eseguire il quarto taglio direttamente sopra al terzo Tagliare verso il basso per incontrare il terzo taglio. In questo modo il moncone del ramo sarà rimosso.

MANUTENZIONE DELLA SEGA

Seguire le istruzioni per la manutenzione in questo manuale. Il rischio di contraccolpi può essere ridotto pulendo la sega ed effettuando la manutenzione della guida. Ispezionare ed eseguire la manutenzione della sega dopo ogni utilizzo. In questo modo si migliorano le condizioni della sega.

NOTA: anche con la corretta affilatura, il rischio di contraccolpi può aumentare ad ogni affilatura.

MANUTENZIONE E CONSERVAZIONE DELLA MOTOSEGA

1. Rimuovere il pacco batteria

- Quando non viene utilizzata
- Prima di spostarsi da un luogo all'altro
- Prima di effettuarne la manutenzione
- Prima di cambiare gli accessori come la catena e la barra di protezione.

2. Ispezionare la sega prima e dopo ogni utilizzo. Ispezionare la sega da vicino per vedere se la protezione o un altro componente si sono danneggiati.

Verificare la presenza di eventuali danni che possono compromettere la sicurezza dell'operatore o il funzionamento della sega. Controllare l'allineamento o inceppamento delle parti mobili. Controllare la presenza di componenti rotti o danneggiati. Non utilizzare la motosega se i danni compromettono la sicurezza o il funzionamento. Far riparare i danni da un centro di assistenza autorizzato. Per trovare un centro di assistenza autorizzato, visitare www.worx.com.

3. Mantenere la motosega con cura.

- Non esporre la sega alla pioggia o all'umidità.
- Mantenere la catena affilata, pulita e lubrificata per prestazioni migliori e più sicure.
- Seguire le istruzioni di questo manuale per affilare la catena.
- Tenere le maniglie asciutte, pulite e libere da olio e grasso.
- Tutte le viti e i dadi devono essere serrati.

4. Fare riparare l'apparecchio solo ed esclusivamente da personale specializzato e solo impiegando pezzi di ricambio originali.

5. Ritirare sempre la motosega quando non è in uso.

- in alto e sotto chiave, per evitare che possano arrivarci i bambini
- in un luogo asciutto
- con la barra e il copricatena (9) in posizione

Manutenzione della barra

Per massimizzare la durata della barra, si consiglia di seguire questi accorgimenti di manutenzione. Le guide della barra che trasportano la catena devono essere pulite prima di ritirare l'utensile o se è presente sporcizia sulla barra o sulla catena. Le guide devono essere pulite ogni volta che viene rimossa la catena.

Per pulire le guide della barra

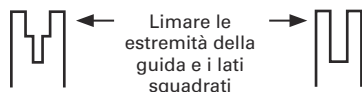
1. Rimuovere il coperchio della catena, la barra e la catena. (vedere la sezione ASSEMBLAGGIO)
2. Utilizzando una spazzola metallica, un cacciavite o un simile strumento adatto, rimuovere i residui dalle guide della barra. (Vedi Fig. Q)
3. Assicurarsi di pulire accuratamente i passaggi dell'olio.

Condizioni che richiedono la manutenzione della catena (7) e della barra di guida (6):

- La sega taglia su un lato o a un angolo.
- È necessario forzare la sega per praticare il taglio.

- Fornitura di lubrificante inadeguata alla barra e alla catena.

Verificare la condizione della barra di guida ogni volta che si affila la catena. Una barra di guida usurata danneggerà la catena e renderà difficoltoso il taglio. Dopo ogni uso, con l'unità disconnessa dalla sorgente di alimentazione, rimuovere tutta la segatura dalla barra di guida e dal foro del dente. Quando la parte superiore della guida è irregolare, utilizzare una lima piatta per ripristinare le estremità e i lati quadrati.



Scanalatura usurata

Scanalatura corretta

Sostituire la barra di guida quando la scanalatura è usurata, la barra di guida è piegata o incrinata o quando si verifica un surriscaldamento o una sbavatura eccessiva delle guide. Se è necessaria la sostituzione, utilizzare soltanto la barra di guida specificata per la sega nell'elenco delle parti di riparazione o sull'etichetta posta sulla motosega.

Sostituire/girare la catena della sega e la lama

Sostituire la catena quando i denti siano troppo logorati per essere affilati o quando la catena si rompa. Utilizzare soltanto le catene di ricambio indicate in questo manuale.

Ispezionare la guida prima di affilare la catena. Una guida logora o danneggiata è pericolosa e rende l'operazione di taglio più difficile.

Poi installare il fermo di tensionamento (23) sulla nuova barra stringendo in senso orario la vite. La protuberanza del fermo (a) deve essere infilata nel foro della barra. (Vedi Fig. R)

Affilatura della catena della sega

AVVERTENZA: Rimuovere il pacco batteria dalla sega prima delle operazioni di manutenzione. Lesioni gravi o morte possono essere causate da folgorazione o contatto del corpo con la catena in movimento. Le lame della catena sono affilate. Usare guanti protettivi quando si maneggia la catena.

Mantenere affilati e puliti gli utensili da taglio. La sega eseguirà il suo lavoro in maniera più veloce e più sicura. Una catena smussata causerà un deterioramento eccessivo dei denti, della guida, della catena e del motore. Se è necessario spingere con forza la catena nel legno e se tagliando si producono soltanto segatura e poche grandi schegge, vuol dire che la catena è smussata.

LUBRIFICARE IL DENTE

AVVERTENZA Indossare guanti per applicazioni intensive quando si esegue la manutenzione o riparazione di questo utensile.

Rimuovere sempre il pacco batteria dalla sega prima di eseguire qualsiasi riparazione o manutenzione sull'utensile.

NOTA: Non è necessario rimuovere la catena o la barra per lubrificare il pignone della barra di guida.

1. Pulire la barra ed il pignone.
2. Usando un ingrassatore a pressione, inserire il puntale nel foro di lubrificazione ed iniettare il grasso finché fuoriesce dai lati del pignone. (Vedi Fig. S)
3. Ruotare il pignone e tirare la catena a mano finché il lato ingrassato del pignone è in linea col foro di lubrificazione. Ripetere la procedura di lubrificazione.

TUTELA AMBIENTALE



I prodotti elettrici non possono essere gettati tra i rifiuti domestici. L'apparecchio da rottamare deve essere portato al centro di riciclaggio per un corretto trattamento. Controllare con le autorità locali o con il rivenditore per localizzare il centro di riciclaggio più vicino.

INDIVIDUAZIONE DEI GUASTI

Qualora l'elettrotensile non dovesse funzionare correttamente, la tabella che segue illustra problemi che si evidenziano in caso di guasto le possibili cause e le misure da adottare a rimedio del problema. Se non fosse possibile, in base alla stessa, identificare ed eliminare il problema, rivolgersi all'officina Service di fiducia.

ATTENZIONE: Prima di iniziare la ricerca della causa del guasto spegnere l'elettrotensile ed estrarre la batteria ricaricabile.

Problema	Possibili cause	Rimedi
La sega a catena non funziona	Batteria scarica. Valvola di sicurezza difettosa.	Caricare il pacco batteria. Sostituire la valvola.
La sega a catena lavora ad intermittenza.	Surriscaldamento Pressione eccessiva applicata durante il taglio. Allentare l'attacco. Contatto interno labile. Interruttore avvio/arresto difettoso.	Posizionare la macchina in un luogo fresco e ventilato per farla raffreddare Applicare una pressione relativamente inferiore durante il taglio. Rivolgersi ad un'officina specializzata. Rivolgersi ad un'officina specializzata. Rivolgersi ad un'officina specializzata.
Catena della sega asciutta.	Manca olio nel serbatoio dell'olio. La disaerazione nel tappo del serbatoio per l'olio è otturata. Canale della fuoriuscita dell'olio otturato.	Versare dell'olio riempiendo il serbatoio. Pulire il tappo del serbatoio per l'olio. Liberare il canale della fuoriuscita dell'olio.
Catena/binario di guida troppo caldi.	Manca olio nel serbatoio dell'olio. La disaerazione nel tappo del serbatoio per l'olio è otturata. Canale della fuoriuscita dell'olio otturato. Tensione della catena troppo alta. Catena non più affilata.	Versare dell'olio riempiendo il serbatoio. Pulire il tappo del serbatoio per l'olio. Liberare il canale della fuoriuscita dell'olio. Regolare la tensione della catena. Riaffilare la catena oppure sostituirla.
La sega a catena si inceppa, vibra oppure non taglia correttamente.	Tensione della catena troppo lenta. Catena non più affilata. Catena eccessivamente consumata. Dentatura della sega indica nella direzione sbagliata.	Regolare la tensione della catena. Riaffilare la catena oppure sostituirla. Sostituire la catena. Montare di nuovo la catena della sega con la dentatura che indica nella direzione corretta.

DICHIARAZIONE DI CONFORMITÀ

Noi,
Positec Germany GmbH
Grüner Weg 10, 50825 Cologne, Germany

Dichiariamo che l'apparecchio,
Descrizione **Motosega e potatore a batteria**
Codice **WG322E WG322E.9 WG323E**
WG323E.9 (3 - designazione del macchinario, rappresentativa di motosega e potatore)
Funzioni **Taglio legno**

È conforme alle seguenti direttive,
2006/42/EC
2014/30/EU
2011/65/EU
2000/14/EC modificato da 2005/88/EC

L'organismo competente
Nome: Intertek Deutschland GmbH (organismo notificato 0905)
Indirizzo: Stangenstraße 1, 70771 LEINFELDEN-ECHTERDINGEN
Certificazione N.: 17SHW1086-01 (WG322E WG322E.9) 17SHW1166-01 (WG323E WG323E.9)

WG322E WG322E.9

2000/14/EC modificato da 2005/88/EC:
- Procedura di conformità come da **Annex V**
- Potenza acustica pesata **94.7 dB(A)**
- Massima potenza di rumore garantita **96 dB(A)**

WG323E WG323E.9

2000/14/EC modificato da 2005/88/EC:
- Procedura di conformità come da **Annex V**
- Potenza acustica pesata **95.2 dB(A)**
- Massima potenza di rumore garantita **96 dB(A)**

Conforme a,
EN 60745-1
EN 60745-2-13
EN ISO 3744
EN 55014-1
EN 55014-2
Parti di EN ISO11680-1

Il responsabile autorizzato alla compilazione della documentazione tecnica,

Nome: Marcel Filz
Indirizzo: Positec Germany GmbH,
Grüner Weg 10, 50825 Cologne, Germany



2018/03/09
Allen Ding
Vice capo ingegnere, testing e certificazione
Positec Technology (China) Co., Ltd.
18, Dongwang Road, Suzhou Industrial
Park, Jiangsu 215123, P. R. China

ADVERTENCIA DE SEGURIDAD GENERALES SOBRE HERRAMIENTAS ELÉCTRICAS

! **Advertencia!** Leer todas las instrucciones. Si no se respetan las instrucciones, existe un riesgo de descargas eléctricas, de incendio y/o de graves heridas.

Conserve todas las advertencias e instrucciones para futuras consultas.

El término "herramienta eléctrica" en todas las advertencias siguientes corresponde a la herramienta eléctrica con o sin cable.

1. ZONA DE TRABAJO

- Mantener su lugar de trabajo limpio y bien iluminado.** Bancos de trabajo desordenados y lugares oscuros invitan a los accidentes.
- No utilizar herramientas eléctricas en atmósferas explosivas, como por ejemplo en presencia de líquidos inflamables, gases o polvo.** Las herramientas eléctricas crean chispas que pueden encender el polvo o los vapores.
- Mantener alejados a los niños y visitantes mientras opera una herramienta eléctrica.** Las distracciones pueden hacerle perder el control.

2. SEGURIDAD ELÉCTRICA

- Los enchufes de la herramienta eléctrica deben encajar perfectamente en el tomacorriente. Nunca modificar el enchufe de ninguna manera. No utilizar adaptadores con herramientas eléctricas conectadas a tierra.** Los enchufes no modificados y los que encajan perfectamente en el tomacorriente reducirán el riesgo de descarga eléctrica.
- Evitar el contacto del cuerpo con superficies conectadas a tierra tales como caños, radiadores, cocinas y heladeras.** Existe un riesgo creciente de descarga eléctrica si su cuerpo queda conectado a tierra.
- No exponer las herramientas eléctricas a la lluvia y no guardar en lugares húmedos.** El agua que penetra en ellas aumentará el riesgo de una descarga eléctrica.
- No abusar del cable. Nunca utilizar el cable para transportar, tirar o desenchufar la herramienta eléctrica. Mantener el cable alejado del calor, del aceite, de bordes agudos o piezas móviles.** Los cables dañados o enredados aumentan el riesgo de descarga eléctrica.
- Cuando utilice su herramienta eléctrica al aire libre, emplear un prolongador apto para uso en exteriores.** El empleo de cables para uso al aire libre reduce el riesgo de descarga eléctrica.
- Si es necesario utilizar la herramienta motorizada en un lugar muy húmedo, utilice una fuente de alimentación con dispositivo**

de corriente residual (RCD). El uso de un RCD reduce el riesgo de descarga eléctrica.

3. SEGURIDAD PERSONAL

- Mantenerse alerta, poner atención en lo que está haciendo y utilice el sentido común mientras opera una herramienta eléctrica. No emplear la herramienta cuando se encuentre cansado o bajo la influencia de drogas, alcohol o medicación.** Un momento de falta de atención durante el manejo de herramientas eléctricas puede dar lugar a daños corporales serios.
 - Utilizar equipo de seguridad. Usar siempre protección ocular.** Equipo de seguridad como máscaras contra el polvo, zapatos antideslizantes de seguridad, sombrero o protección auditiva para condiciones apropiadas reducirá daños corporales.
 - Evite el arranque accidental. Asegúrese de que el interruptor se encuentra desactivado antes de enchufar la máquina o colocar la batería, al tomar la herramienta o transportarla.** Transportar herramientas con el dedo en el interruptor o enchufar la herramienta cuando el interruptor está encendido invitan a los accidentes.
 - Retire llaves de ajuste o llaves inglesas antes de poner la herramienta en funcionamiento.** Una llave que queda unida a una pieza móvil de la herramienta puede originar daños corporales.
 - No extralimitarse. Mantenerse firme y con buen equilibrio en todo momento.** Esto permite un mejor control de la herramienta en situaciones inesperadas.
 - Vestirse apropiadamente. No usar ropa suelta ni alhajas. Mantener su cabello, ropa y guantes alejados de las piezas móviles.** La ropa suelta, las alhajas o el cabello largo pueden ser atrapados por las piezas móviles.
 - Si se proporcionan dispositivos para la extracción y recolección de polvo, asegurarse de que estos estén conectados y utilizados correctamente.** El uso de estos dispositivos puede reducir peligros relacionados con el polvo.
- ## 4. MANTENIMIENTO DE LA HERRAMIENTA MOTORIZADA
- No forzar la herramienta eléctrica. Utilizar la herramienta eléctrica correcta para su aplicación.** La herramienta eléctrica correcta hará el trabajo mejor y más seguro a la velocidad para la cual fue diseñada.
 - No utilizar la herramienta eléctrica si el interruptor no la enciende o apaga.** Cualquier herramienta eléctrica que no pueda ser controlada con el interruptor es peligrosa y debe ser reparada.
 - Desconecte el enchufe de la toma eléctrica y/o la batería de la herramienta antes de realizar cualquier ajuste, cambiar un accesorio o guardar la herramienta.** Tales medidas de seguridad preventivas reducen el

riesgo de arranque accidental de la herramienta.

- d) Mantener las herramientas eléctricas que no usa fuera del alcance de los niños y no permita que personas no familiarizadas con la herramienta o con estas instrucciones maneje la herramienta eléctrica.** Las herramientas eléctricas son peligrosas en manos de usuarios inexpertos.
- e) Revisar las herramientas eléctricas. Comprobar si hay desalineamiento o atascamiento de piezas móviles, rotura de piezas en general y cualquier otra condición que pueda afectar la operación normal de la herramienta. Si se verifican daños, recurra a un service calificado antes de volver a usar la herramienta.** Las herramientas mal mantenidas causan muchos accidentes.
- f) Mantener las piezas de corte limpias y afiladas.** Puesto que son menos probables de atascarse y más fáciles de controlar.
- g) Utilizar la herramienta eléctrica, accesorios y brocas etc., de acuerdo con estas instrucciones y de la manera prevista para el tipo particular de herramienta eléctrica, teniendo en cuenta las condiciones de trabajo y el trabajo a ser realizado.** El uso de la herramienta eléctrica para otras operaciones distintas de lo previsto podría dar lugar a una situación peligrosa.

5. UTILIZACIÓN Y MANTENIMIENTO DE LA BATERÍA

- a) Recargar solamente con el cargador indicado por el fabricante.** Un cargador adaptado a un tipo de batería podría crear un riesgo de incendio si se utiliza con una diferente batería.
- b) Utilizar las herramientas eléctricas solamente con baterías especialmente adaptadas.** La utilización de cualquier otra batería podría causar un riesgo de incendio o herida.
- c) Cuando la batería no está en uso, tenerla lejos de los objetos metálicos como los trombones, las piezas de moneda, las llaves, los clavos, los tornillos, o cualquier otro pequeño objeto metálico susceptibles de establecer una conexión de un terminal a otra.** El cortocircuito de un terminal a otra puede causar quemaduras o un incendio.
- d) Hay una fuga de líquido de la batería. Evitar todo contacto. Si entre accidentalmente en contacto con este líquido, lavar con agua limpia. En caso de contacto con los ojos, consultar a un médico.** El líquido presente en las baterías puede causar irritaciones o quemaduras.

6. REPARACIÓN

- a) Permitir que el mantenimiento de su herramienta eléctrica sea efectuado por una persona calificada usando solamente piezas de recambio idénticas.** Esto es primordial para mantener la seguridad de la herramienta eléctrica.

INSTRUCCIONES DE SEGURIDAD PARA SIERRAS DE CADENA

- 1. Mantenga alejadas todas las partes del cuerpo de la cadena de sierra en funcionamiento. Antes de poner en marcha la sierra cerciórese primero de que la cadena de sierra no toque en ningún lado.** Un momento de distracción al trabajar con la sierra de cadena puede causar que la cadena de sierra se enganche con su vestimenta o alguna parte del cuerpo.
- 2. Sujete la sierra de cadena agarrando la empuñadura posterior con la mano derecha y la empuñadura anterior con la mano izquierda.** La sujeción de la sierra de cadena en una posición de trabajo diferente, aumenta el riesgo de accidente y, por lo tanto, no debe aplicarse.
- 3. La cubierta de esta motosierra podría entrar en contacto con conductores eléctricos ocultos durante el uso; sosténgala exclusivamente por sus superficies de empuñadura aisladas.** Una motosierra que entrase en contacto con un conductor eléctrico "activo" podría transmitir electricidad a sus piezas metálicas externas y derivar en una descarga eléctrica al usuario.
- 4. Colóquese unas gafas de protección y unos protectores auditivos. Se recomienda emplear un equipo de protección adicional para la cabeza, manos, piernas y pies.** Un equipo de protección adecuado reduce el riesgo de accidente al salir violentamente lanzadas las virutas o al tocar fortuitamente la cadena de sierra.
- 5. No trabaje con la sierra de cadena estando subido a un árbol.** La utilización de la sierra de cadena sobre un árbol puede provocar un accidente.
- 6. Siempre preste atención a trabajar manteniendo una postura estable, y solamente use la sierra de cadena si se encuentra sobre un firme consistente, seguro, y plano.** Al utilizar una escalera en firmes resbaladizos o inestables puede llegar a perder el equilibrio, y el control sobre la sierra de cadena.
- 7. Esté prevenido al cortar una rama que se encuentre bajo tensión, ya que podría retroceder elásticamente.** A medida que va cortando la rama puede que la tensión a la que está sometida haga que ésta se desgarre bruscamente y golpee al usuario o/y que le haga perder el control sobre la sierra de cadena.
- 8. Proceda con especial cautela al cortar matorrales y árboles jóvenes.** El material fino puede engancharse con la cadena de sierra y golpearle o hacerle perder el equilibrio.
- 9. Transporte la sierra de cadena sujetándola por la empuñadura delantera con la cadena de sierra detenida y la espada señalando hacia atrás. Al transportar y guardar la sierra de cadena montar siempre la funda protectora.** El manejo con precaución de

la sierra de cadena reduce el riesgo de un contacto accidental con la cadena de sierra en funcionamiento.

- 10. Atégase a las instrucciones de lubricación, tensado de la cadena, y cambio de los accesorios.** Una cadena incorrectamente tensada o insuficientemente lubricada puede romperse, o ser más propensa al rechazo.
- 11. Mantenga las empuñaduras secas, limpias y libres de aceite o grasa.** Las empuñaduras manchadas de aceite o grasa son resbaladizas y pueden hacerle perder el control sobre el aparato.
- 12. Únicamente serrar madera. Solamente emplear la sierra de cadena para aquellos trabajos para los que fue concebida - Ejemplo: No utilice la sierra de cadena para serrar plástico, ladrillos, o materiales de construcción si éstos no son de madera.** La utilización de la sierra de cadena para trabajos para los que no ha sido concebida puede conducir a situaciones de peligro.

CAUSAS Y PREVENCIÓN CONTRA EL RECHAZO DE LA SIERRA:

El rechazo puede producirse si la punta de la espada alcanza a tocar un objeto, o si la ranura de corte se estrecha al ceder la madera que se está cortando, haciendo que se atasque la cadena de sierra.

Si la punta de la espada alcanza a tocar un objeto, ello puede provocar una fuerza de reacción inesperada hacia atrás, haciendo que la espada sea impulsada hacia arriba en dirección al usuario. Al atascarse la cadena de sierra en el borde superior de la espada ello puede provocar que la espada se proyectada bruscamente en dirección al usuario. Cada una de las reacciones descritas puede hacerle perder el control sobre la sierra y causarle un accidente grave. No trabaje confiando exclusivamente en los dispositivos de seguridad que incorpora la sierra de cadena. Como usuario de una sierra de cadena deberá tomar diversas medidas preventivas para poder trabajar sin accidentarse ni lesionarse. El rechazo es ocasionado por la aplicación o manejo incorrecto de la herramienta eléctrica. Es posible evitarlo atendiéndose a las medidas preventivas que a continuación se detallan:

- **Sujete la sierra con ambas manos y abarcando las empuñaduras de la sierra de cadena con el pulgar y los dedos. Coloque su cuerpo y brazos en una postura que le permita oponerse a las fuerzas de rechazo.** Tomando unas medidas oportunas, el usuario es capaz de controlar las fuerzas de rechazo. Jamás suelte la sierra de cadena.
- **Evite posturas anormales y no sierre por encima de la altura del hombro.** De esta manera se evita el contacto fortuito con la punta de la espada y además se alcanza un mejor control de la sierra de cadena al presentarse unas

situaciones inesperadas.

- **Siempre utilice las espadas y cadenas de sierra de repuesto que el fabricante prescribe.** Las espadas y cadenas de sierra incorrectas pueden provocar la rotura de la cadena o un rechazo.
- **Respete las instrucciones del fabricante para el afilado y mantenimiento de la cadena de sierra.** Los limitadores de profundidad demasiado bajos aumentan el riesgo de que se origine un rechazo.

RIESGOS RESIDUALES

Aunque el aparato se utilice de forma adecuada, siempre existen riesgos residuales imposibles de prevenir. Dependiendo del tipo y el diseño del producto, pueden existir los peligros potenciales que se indican a continuación:

- Contacto con los dientes de sierra expuestos (peligro de corte)
- Acceso a la sierra rotativa de la cadena (peligro de corte)
- Movimiento brusco e imprevisible de la guía (peligro de corte)
- Expulsión de piezas desde la cadena de la sierra (peligro de corte/penetración)
- Expulsión de trozos de la pieza de trabajo
- Contacto del aceite con la piel
- Pérdida de capacidad auditiva, si no se utiliza una protección auditiva adecuada durante el trabajo

ADVERTENCIAS DE SEGURIDAD PARA LA MOTOSIERRA DE MORDAZA CON EL POSTE TELESCÓPICO

1. La máquina no se debe utilizar cuando el operador esté cansado, enfermo o bajo la influencia del alcohol u otras drogas.
2. Para reducir el riesgo, mantenga a los transeúntes a una distancia segura de la máquina mientras esta esté en funcionamiento.
3. Sea consciente del peligro que suponen las posiciones de funcionamiento, así como el riesgo de ser golpeado por ramas que caen o ramas que, una vez golpeen el suelo, rebotan. El usuario puede ser golpeado por ramas que caen o por aquellas que rebotan después de golpear en el suelo. Quite las ramas de las secciones.
4. Mantenga un equilibrio firme durante el uso de la máquina. Utilice el arnés proporcionado.
5. Mantenga la máquina alejada una distancia suficiente de tendidos eléctricos elevados.

ADVERTENCIAS DE SEGURIDAD PARA LA BATERÍA

- a) No desmonte, abra o destruya las pilas o las baterías recargables.
- b) No provoque un cortocircuito en la batería. No almacene las baterías de forma descuidada en una caja o cajón donde podría provocar un cortocircuito entre ellas o mediante otros objetos metálicos. Cuando la batería no esté siendo utilizada, manténgala alejada de objetos metálicos, como clips de papel, monedas, llaves, clavos, tornillos u otros objetos metálicos pequeños, que pueden posibilitar la conexión de un borne con otro. Al provocar un cortocircuito con los bornes de la batería se pueden sufrir quemaduras o generar un incendio.
- c) No exponga las baterías al calor o al fuego. No las guarde expuestas directamente al sol.
- d) No exponga las baterías a impactos mecánicos.
- e) En caso de que la batería tenga fugas de líquido, no permita que el líquido entre en contacto con la piel o los ojos. Si se produce el contacto, lave la zona afectada con grandes cantidades de agua y acuda a un médico.
- f) Acuda a un médico inmediatamente si se ha ingerido una pila o una batería.
- g) Mantenga las baterías limpias y secas.
- h) Limpie los bornes de la batería con un paño limpio si se ensucian.
- i) Cargue la batería antes de utilizarla. Consulte siempre estas instrucciones y aplique el procedimiento de carga adecuado.
- j) No deje la batería cargándose durante prolongados períodos de tiempo cuando no se utilice.
- k) Después de prolongados períodos de almacenamiento, puede que sea necesario cargar y descargar la batería varias veces para obtener el máximo rendimiento.
- l) Las baterías recargables proporcionan mejor rendimiento cuando se utilizan a temperatura ambiente normal (20°C ± 5 °C).
- m) Al eliminar las baterías, mantenga las baterías de distinto sistema electroquímico separadas unas de otras.
- n) Recargue solo con el cargador indicado por WORX. No utilice ningún otro cargador que no sea el específicamente proporcionado para el uso con este equipo. El cargador adecuado para un tipo de baterías puede provocar un incendio si se utiliza con otro tipo de baterías.
- o) No utilice ninguna batería distinta a la diseñada para utilizarse con el aparato.
- p) Mantenga la batería fuera del alcance de los niños.
- q) Conserve la documentación original del producto por si tuviera que consultarla en otro momento.

- r) Extraiga la batería del aparato cuando no lo utilice.
- s) Deshágase del producto correctamente.

GUARDE ESTAS INSTRUCCIONES

Instrucciones para la realización correcta de operaciones de talado, poda y corte de cuña

1. Talado de árboles

Si los trabajos de troceado y de tala son realizados al mismo tiempo por varias personas, la separación entre las personas dedicadas a trocear y aquellas encargadas de talar deberá ser al menos igual al doble de la altura del árbol a talar. Cuide que al talar árboles no ponga en peligro a otras personas, que no puedan dañarse tendidos eléctricos, y que no se provoquen daños materiales. En caso de que un árbol alcance a tocar un tendido eléctrico, deberá informarse de inmediato a la compañía eléctrica. Al serrar en declives, se recomienda que el usuario se sitúe en lado de arriba del árbol a talar, ya que una vez talado, éste tenderá a rodar o deslizar hacia abajo. Antes de talar el árbol deberá planificarse y despejarse, si procede, la trayectoria de escape. Dicha vía de escape debe ir diagonalmente en dirección opuesta a la dirección de caída prevista, tal como puede verse en la Figura 1. Antes del talado deberá tenerse en cuenta la inclinación natural del árbol, la posición de las ramas más grandes, y el sentido en que sopla el viento para poder predecir la dirección de caída del árbol. La suciedad, piedras, corteza suelta, clavos, grapas y alambre deberán retirarse del árbol.

2. Corte de la cuña

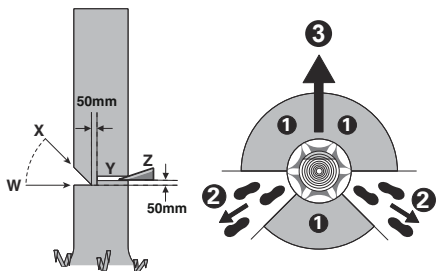
Realice un corte de 1/3 del diámetro del árbol en sentido perpendicular a la dirección de caída, tal como se muestra en la figura 1. Realice primero el corte inferior horizontal (W). Con ello se evita que la cadena de sierra o la espada se atasquen al efectuar el corte inclinado de la cuña (X).

3. Corte de talado

Realice el corte de talado (Y), como mínimo, 50 mm más alto que el corte de muesca, tal como puede verse en la figura 1. Sierre el corte de talado paralelamente al corte inferior horizontal de la cuña. Profundice el corte de talado cuidando que quede todavía una costilla que pueda actuar a modo de bisagra. Esta costilla de madera evita que el árbol pueda girarse y se desplome en dirección incorrecta. No sierre esta costilla de madera. Al profundizar el corte hasta el grosor indicado para la costilla de madera, el árbol debería comenzar a desplomarse. En caso de apreciar que el árbol tiende a caer en una dirección diferente de la prevista, o que se inclina hacia atrás y aprisione la cadena de sierra, interrumpa el corte e inserte en éste cuñas de madera, plástico o aluminio (Z) para obligar al árbol a caer en la dirección prevista (3).

Al comenzar a desplomarse el árbol, saque la sierra de cadena del corte, desconéctela, deposítela, y abandone el área de peligro siguiendo la trayectoria de escape prevista (2). Tenga cuidado con las ramas que puedan caer y procure no tropezar. (Ver Fig. 1)

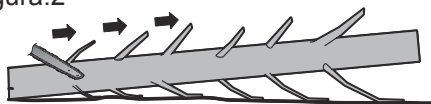
Figura.1



4. Poda

Este trabajo consiste en cortar a ras con el tronco las ramas del árbol ya talado. Al podar el árbol, no corte por el momento aquellas ramas grandes sobre las que está apoyado el árbol. Retire las ramas pequeñas de un solo corte, tal como se muestra en la figura 2. Las ramas en tensión deberán cortarse de abajo hacia arriba para evitar que la cadena de sierra se atasque.

Figura.2

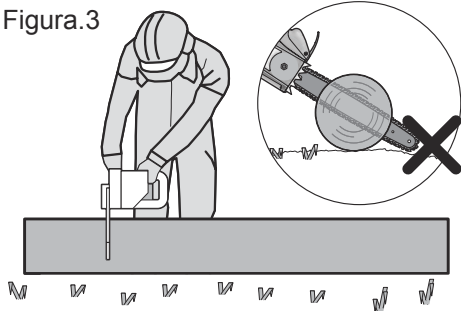


5. Troceado del tronco

Este trabajo consiste en ir cortando en trozos el árbol talado. Observe en mantener una posición estable y distribuya por igual entre ambos pies el peso de su cuerpo. Siempre que sea posible, el tronco deberá reposar sobre ramas, vigas o cuñas. Podrá serrar con mayor facilidad si se atiene a estas sencillas indicaciones.

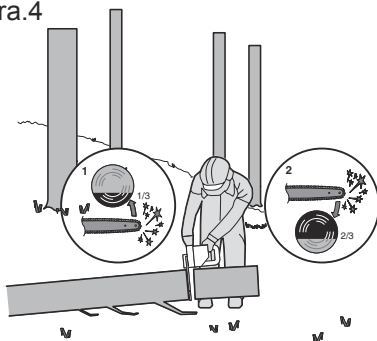
Si el tronco está apoyado en toda su longitud, tal como se muestra en la figura 3, se corta desde arriba (corte superior); evite el contacto con el suelo, ya que esto perjudicaría al filo de la cadena.

Figura.3



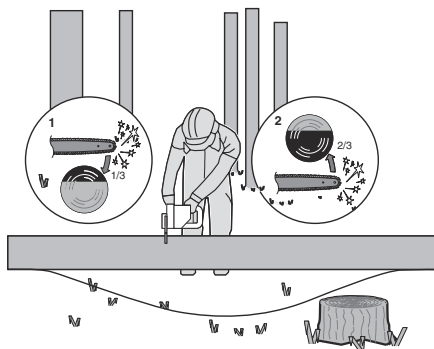
Si el tronco está apoyado por un extremo, tal como se muestra en la figura 4, corte 1/3 del diámetro por la parte inferior (1). A continuación, realice el corte de acabado cortando por la parte superior hasta llegar al primer corte (2).

Figura.4



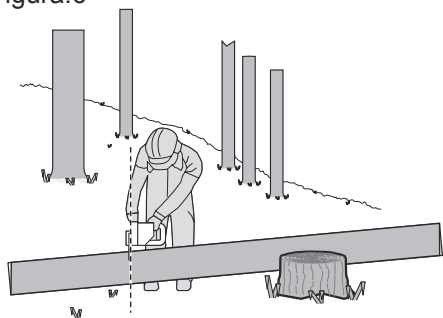
Si el tronco está apoyado por ambos extremos, tal como se muestra en la figura 5, corte 1/3 del diámetro desde la parte superior (corte superior) (1). A continuación, finalice el corte cortando por la parte inferior los 2/3 restantes hasta encontrarse con el primer corte (2).

Figura.5



Para cortar en una pendiente, colóquese siempre en la parte superior del tronco, tal como se muestra en la figura 6. Para mantener plenamente el control sobre el aparato al finalizar el corte, ir reduciendo poco antes la presión de aplicación, sin dejar de sujetar con igual firmeza las empuñaduras de la sierra de cadena. Preste atención a que la cadena de sierra no toque el suelo. Una vez finalizado el corte, espere a que se haya detenido la cadena de sierra antes de retirar la sierra de cadena. Siempre desconecte el motor de la sierra de cadena antes de trasladarse a otro punto.

Figura.6



SÍMBOLOS

	Para reducir el riesgo de lesión, lea el manual de instrucciones.
	ADVERTENCIA
	Utilícese protección auditiva
	Utilícese protección ocular
	Utilícese máscara antipolvo
	Proteger el aparato de la lluvia.
	Llevar casco.
	Llevar guantes protectores
	Llevar calzado de seguridad

	Peligro con las líneas eléctricas aéreas.
	Los residuos de aparatos eléctricos y electrónicos no deben depositarse en la basura doméstica. Se deben reciclar en las instalaciones especializadas. Consulte a las autoridades locales o el establecimiento para saber cómo reciclar estos productos.
	No tirar las baterías. Las baterías agotadas deben llevarse al punto local de recogida o reciclaje de residuos.
	No quemar
	No exponer a la lluvia o al agua
	Se debe evitar el contacto de la punta de la barra guía con cualquier tipo de objetos.
	El contacto de la punta puede causar que la barra guía se mueva repentinamente hacia arriba y abajo, lo que podría causar lesiones graves para el usuario.
	Utilice ambas manos para operar la sierra.
	x1NR18/65-y: Celdas de batería de ion-litio cilíndricas con un diámetro y altura máximos de 18 y 65 mm, respectivamente; la "x" representa un número de celdas conectadas en serie (en blanco si es 1); "-y" representa un número de celdas conectadas en paralelo (en blanco si es 1).

LISTA DE COMPONENTES

1. EMPUÑADURA POSTERIOR
2. INTERRUPTOR DE CONEXIÓN/DESCONEXIÓN
3. TAPÓN DEL DEPÓSITO DE ACEITE
4. EMPUÑADURA DELANTERA
5. PROTECCIÓN PARA LAS MANOS
6. ESPADA
7. CADENA DE SIERRA
8. BOTÓN TENSOR DE LA CADENA
9. CUBIERTA
10. BATERÍA *
11. BLOQUEO DE LA BATERÍA*
12. PROTECTOR DE MANOS TRASERO
13. PUNTA AMORTIGUADORA
14. MEDIDOR DEL NIVEL DE ACEITE
15. BLOQUEADOR DE CONEXIÓN
16. RUEDA DE CADENA
17. SÍMBOLOS INDICADORES DEL SENTIDO DE MARCHA Y CORTE
18. BOQUILLA DE ACEITE
19. ABRAZADERA DE BARRA
20. TORNILLO DE FIJACIÓN DE LA ESPADA
21. NERVIO-GUÍA DE LA ESPADA
22. ALOJAMIENTO DE LA ESPADA Y LA CADENA/CUBIERTA DE TRANSPORTE*(FUNDA)
23. PESTILLO DE LA TENSIÓN DE LA CADENA (VER FIG. A)
24. MANGO DE LA PÉRTIGA DE EXTENSIÓN*
25. MANDO DE BLOQUEO*
26. PALANCA DE FIJACIÓN*
27. PÉRTIGA INTERIOR*
28. MANDO DE BLOQUEO*
29. SOPORTE DE CONEXIÓN DE LA PÉRTIGA DE EXTENSIÓN*
30. BOTÓN DE BLOQUEO DEL MANGO DE LA PÉRTIGA DE EXTENSIÓN*
31. INTERRUPTOR DE ENCENDIDO Y APAGADO DEL MANGO DE LA PÉRTIGA DE EXTENSIÓN*
32. CORREAS PARA EL HOMBRO*

*¡Los accesorios descritos e ilustrados no corresponden en parte al material que se adjunta!

CARACTERÍSTICAS TÉCNICAS

Modelo **WG322E WG322E.9 WG323E WG323E.9** (3 - denominación de la máquina, representa la sierra pértiga y la motosierra)

	WG322E	WG322E.9	WG323E	WG323E.9
Tensión	20V \equiv Max**			
Longitud de la espada	25cm			
Velocidad de la cadena	3.8m/s			
Capacidad del depósito de aceite	130ml			
Paso de la cadena	3/8"			
Número de elementos de arrastre	40			
Espesor de la cadena	0.043"			
Tipo de cadena adaptable	ES: 3/8.043-40E/ QIRUI : A0(T)-40E/ OREGON: 90PX040G			
Tipo de barra adaptable	ES: ES104SDEA041/ QIRUI : PO10-43SR(T) / OREGON: 104MLEA041			
Tiempo de carga	5hrs			
Peso (cadena y barra incluidas)	2.8kg	2.4kg	4.6kg	4.2kg

**Voltaje medido sin carga de trabajo. El voltaje inicial de la batería alcanza un máximo de 20 voltios. El voltaje nominal es 18 voltios.


ACCESORIOS

81

	WG322E	WG322E.9	WG323E	WG323E.9
Cadena	1	1	1	1
Espada	1	1	1	1
Cubierta de transporte	1	1	1	1
Barra de extensión (WA0166)	/	/	1	1
Cargador (WA3760)	1	/	1	/
Batería de Litio (WA3551)	1	/	1	/
Correas para el hombro	/	/	1	1

Recomendamos que adquiera todos sus accesorios en el mismo establecimiento donde compró la herramienta. Consulte los estuches de los accesorios para más detalles. El personal del establecimiento también puede ayudar y aconsejar.

INFORMACIÓN SOBRE EL RUIDO

	WG322E WG322E.9	WG323E WG323E.9
Nivel de presión acústica ponderada	$L_{pA} = 87.9 \text{ dB(A)}$	$L_{pA} = 85.7 \text{ dB(A)}$
Nivel de potencia acústica ponderada	$L_{wA} = 96 \text{ dB(A)}$	$L_{wA} = 96 \text{ dB(A)}$
$K_{pA} = 3.0 \text{ dB(A)}$		
Utilice protección auditiva. 		

INFORMACIÓN SOBRE LAS VIBRACIONES

Los valores totales de vibración se determinan según la norma EN 60745:

Valor de emisión de vibración $a_{hv} < 2.5 \text{ m/s}^2$	Incertidumbre $K = 1.5 \text{ m/s}^2$
--	---------------------------------------

El valor total de vibración declarado se puede utilizar para comparar una herramienta con otra y también en una evaluación preliminar de exposición.

⚠️ ADVERTENCIA: El valor de emisión de vibraciones durante el uso de la herramienta podría ser distinto al valor declarado dependiendo de la forma en que se use la herramienta según las condiciones siguientes, y otras variaciones sobre el uso de la herramienta:

El modo de uso de la herramienta y los materiales que se cortan o perforan.

El estado general y las condiciones de mantenimiento de la herramienta

La utilización del accesorio correcto para la herramienta y su correcto mantenimiento afilado y en buenas condiciones.

La firme sujeción de las empuñaduras y la utilización de accesorios antivibración.

El uso de la herramienta conforme a su diseño y estas instrucciones.

Esta herramienta podría causar síndrome de vibración mano-brazo si no se utiliza correctamente.

⚠️ ADVERTENCIA: Para conseguir una mayor precisión, debe tenerse en cuenta una estimación del nivel de exposición en condiciones reales de todas las partes del ciclo de uso, como los tiempos durante los que la herramienta está apagada o el tiempo que está funcionando al ralentí sin

realizar ningún trabajo. Esto podría reducir notablemente el nivel de exposición durante el periodo completo de trabajo.

Cómo minimizar el riesgo de exposición a la vibración.

Utilice SIEMPRE cinceles, brocas y cuchillas afiladas. Mantenga esta herramienta de acuerdo con estas instrucciones o bien lubricada (si es necesario). Si la herramienta se utiliza regularmente, invierta en accesorios antivibración.

Planifique su programa de trabajo para distribuir el uso de la herramienta a lo largo de varios días.

USO INDICADO

El aparato ha sido proyectado para talar árboles y para aserrar troncos, ramas, vigas de madera, tablas, etc. y puede emplearse para realizar cortes a favor y transversal al sentido de la fibra de la madera. Este aparato no es adecuado para aserrar materiales minerales.

MONTAJE

⚠️ ADVERTENCIA! No instale la batería hasta que se haya montado completamente.

Al manipular en la cadena de sierra deben usarse siempre guantes de protección.

MONTAJE DE LA ESPADA Y LA CADENA DE SIERRA

1. Desembalar cuidadosamente todas las partes.
2. Colocar la motosierra sobre una superficie plana y firme.
3. Utilice únicamente cadenas WORX o cadenas recomendadas para la espada.
4. Insertar la cadena de sierra (7) en la ranura de la espada (6). Verifique que la cadena gire en la dirección correcta comparándola con el símbolo de la cadena que hay en la espada, o mirando el símbolo indicador de marcha de la cadena (17) que hay en el cuerpo de la sierra. Asegúrese de que el pestillo de tensión de la cadena (23) esté apuntando hacia afuera. (Ver Fig. A)
5. Colocar la cadena en torno a la rueda de cadena (16) de manera que el perno de sujeción (20) y ambos nervios-guía (21) de la espada (19) queden alojados en el agujero rasgado de la espada, observando en ello que el perno tensor de cadena penetre en el respectivo orificio de la espada (6). (Ver Fig. B1, B2)
6. Observar que todas las partes estén correctamente colocadas. Asegurarse de que las articulaciones de accionamiento estén asentadas completamente en el piñón de accionamiento (Ver Fig. C1), evitando que se tuerzan, tal como se muestra en la Fig. C2. Si se tuercen, sujetar la cadena por la espada justo delante de la torcedura y tirar para deshacerla.

NOTA: La cadena debe girar libremente y sin torcerse.

- Colocar la cubierta de la cadena (9) y apretarla girando el botón tensor de la cadena (8) en sentido horario hasta que esté firme. (Ver Fig. D)



ADVERTENCIA: La cadena todavía no se encuentra tensada. El tensado de la cadena se describe en la sección "Tensado de la cadena". Ahora la cadena necesita inspeccionarse para asegurarse de que la tensión es la correcta.

TENSADO DE LA CADENA DE SIERRA (Ver Fig. E1, E2)

NOTA: Las sierras de cadena nuevas se dilatan. Comprobar la tensión de la cadena periódicamente la primera vez que se utilice y tensar la cadena (7) si se afloja alrededor de la espada (6).



ADVERTENCIA:

- Quite la batería de la herramienta antes de ajustar la tensión de la cadena de la motosierra.
 - Los bordes de corte de la cadena son sumamente filosos. Utilice guantes de protección cuando manipule la cadena.
 - Mantenga siempre la cadena con la tensión correcta. Una cadena suelta aumentará el riesgo de repulsiones. Una cadena suelta podría soltarse de la ranura de la espada y esta situación puede causar lesiones al usuario y dañar la cadena. Una cadena suelta hará que la cadena, la barra de la cadena y la rueda dentada se desgasten más rápidamente.
- Depositar la sierra de cadena sobre una superficie plana.
 - Gire el botón tensor de la cadena (8) hacia la derecha con la mano hasta que esté apretado firmemente.

NOTA: La tensión se aumenta automáticamente mientras el botón tensor de la cadena (8) se gira hacia la derecha. El mecanismo de trinquete evita que la cadena se afloje.

- Incline la sierra hacia adelante (Ver Fig. E1) donde la guía (6) de la punta de la barra es empujada hacia arriba. Esto eliminará la holgura de la cadena.
- Apriete completamente el botón tensor de la cadena (8) girándolo hacia la derecha.
- Compruebe minuciosamente la tensión ajustada por el mando de tensado automático de la cadena. La cadena (7) está tensada correctamente cuando puede levantarse aproximadamente una distancia equivalente a la mitad de la profundidad del eslabón de accionamiento de la barra guía (6) en el centro. Para realizar esta comprobación debe utilizarse una mano para levantar la cadena contra el peso de la máquina. (Ver Fig. E2)

NOTA: La cadena (7) está tensada correctamente si puede levantarse de la barra guía (6) y el eslabón de accionamiento está dentro del rail de la barra guía (6).

NOTA: Con las operaciones de corte, la cadena (7) se estira y se destensa. Cuando la cadena esté floja, desenrosque completamente el botón tensor de

la cadena (8) o gírelo tres vueltas completas hacia la izquierda y, a continuación, vuelva a apretar el botón tensor de la cadena (8) para restablecer correctamente la tensión de la cadena, repitiendo los pasos 1-4 indicados arriba.

MONTAJE DE LA BARRA DE EXTENSIÓN (solo para WG323E, WG323E.9)

Alinee el mango de la pértiga de extensión e insértelo en el eje. Gire el mando de bloqueo en sentido horario para bloquear. (Ver Fig. F1, F2)

NOTA: Compruebe que el eje esté bloqueado firmemente.

INSTALACIÓN DE LA PÉRTIGA DE EXTENSIÓN EN LA MÁQUINA (Ver Fig. G1)

Paso 1: Alinee el soporte de conexión de la pértiga (29) e introdúzcalo en la sierra.

Paso 2: Gire el mando de bloqueo (28) en sentido antihorario para fijar la pértiga de extensión a la máquina.

NOTA: Compruebe que la pértiga de extensión esté bloqueada firmemente antes de empezar a trabajar.

DESMONTAJE DE LA PÉRTIGA DE EXTENSIÓN (Ver Fig. G2)

Paso 1: Gire el mando de bloqueo (28) en sentido horario para desbloquear y tire hacia fuera.

Paso 2: Empuje la sierra para soltar la pértiga de extensión de la sierra.



ADVERTENCIA!

• Para utilizar esta máquina con la pértiga de extensión, compruebe que se haya extraído la batería.

Ajuste la longitud de la pértiga

La sierra de pértiga tiene un conjunto telescópico que puede alargarse de 2m (totalmente replegado) hasta 2.7m (totalmente extendido).

La palanca de fijación (26) permite fijar la pértiga en cualquier posición de extensión.

- Para extender la pértiga, suelte la palanca de fijación tal como se muestra en la Fig. H. La pértiga se deslizará con suavidad.
- Extraiga la sección interior de la pértiga hasta la longitud que desee. Nota: La pértiga solo debe extenderse hasta la longitud mínima necesaria para llegar a la rama que se quiere cortar.
- Para bloquear la pértiga en una posición, apriete la palanca de fijación tal como se muestra en la Fig. H.

LUBRICACIÓN



IMPORTANTE: La sierra de cadena se suministra con el depósito de aceite vacío. Por ello, es imprescindible llenarlo con aceite antes de utilizarla por primera vez. Si se trabaja con la sierra de cadena sin tener aceite en el depósito, o con un nivel inferior al mínimo, se daña la sierra de cadena.

NOTA: La vida útil y el rendimiento de corte

de la cadena dependen de que su lubricación sea óptima. Por ello, la cadena de sierra es lubricada automáticamente durante su funcionamiento.

LLENADO DEL DEPÓSITO DE ACEITE:



ADVERTENCIA: Extraiga la batería antes de llenar el depósito de aceite.

1. Depositar la sierra de cadena sobre una base adecuada de manera que el tapón del depósito de aceite (3) quede arriba.
2. Limpiar con un paño el área en torno al tapón del depósito de aceite y abrir el tapón.
3. Agregue aceite para sierra de cadena hasta que el depósito esté lleno.
4. Prestar a atención a que no penetre suciedad en el depósito de aceite, volver a colocar el tapón (3) del depósito de aceite y apretarlo girándolo en sentido horario hasta que esté firme.



IMPORTANTE: Para permitir la ventilación del depósito de aceite, el tapón del mismo va provisto de unos pequeños canales de aireación. Para evitar un derrame de aceite, prestar atención a depositar siempre la sierra en posición horizontal (con el tapón de cierre del depósito de aceite (3) mirando hacia arriba).

Utilizar exclusivamente el aceite para sierra biodegradable recomendado para evitar deterioros en la sierra de cadena (Grade: ISO VG32). Puede adquirirse a través del comercio donde compró la sierra o en una ferretería local. Jamás deberá emplearse aceite reciclado o aceite usado. En caso de aplicarse un aceite diferente del recomendado se anula la garantía. No ingerir. En caso de ingestión, buscar ayuda médica inmediatamente. Manténgase fuera del alcance de los niños. Guardar lejos de fuentes de calor y llamas abiertas.

COMPROBAR EL ENGRASADOR AUTOMÁTICO

El funcionamiento adecuado de engrasador automático se puede comprobar poniendo en marcha la motosierra y apuntando con la punta de la barra directriz (6) hacia un trozo de cartón o papel en el suelo. Si se crea un patrón de aceite creciente en el cartón, el engrasador automático funciona correctamente. Si no hay patrón de aceite, a pesar de que el depósito de aceite está lleno, póngase en contacto con el agente de servicio de atención al cliente de WORX o con el agente de servicio autorizado de WORX.



PRECAUCIÓN: No toque el suelo con la cadena. Asegúrese de que hay una distancia de seguridad de 30 cm.

FUNCIONAMIENTO

1. ANTES DE UTILIZAR LA HERRAMIENTA

INALÁMBRICA



ADVERTENCIA! El cargador y el pack de batería han sido específicamente diseñados para funcionar juntos, de modo que no procure utilizar ningún otro dispositivo. Nunca inserte o permita objetos metálicos en las conexiones del cargador o el pack de batería, ya que podrían ocurrir fallas y riesgos eléctricos.

NOTA: Al cargar una batería nueva o que no haya sido utilizada durante un largo periodo de tiempo. El cargador suministrado es adecuado para cargar la batería de iones de litio instalada en la máquina. No utilice otro cargador de baterías.

2. CARGAR LA BATERÍA

La batería de iones de litio se encuentra protegida contra descarga profunda. Si la batería se vacía, la máquina se apaga por medio de un circuito preventivo.

En un entorno cálido o después de un uso intenso, la batería podría estar demasiado caliente para volver a ser cargada. Deje que la batería se enfríe antes de volver a cargarla.

3. EXTRAER O INSTALAR EL PACK DE BATERÍA (Ver Fig. I1, I2, I3)

Presione el botón de liberación de la batería para extraer la batería de la herramienta. Después de la recarga, inserte la batería en el puerto de la misma. Una simple pulsación y una presión ligera serán suficientes hasta que oiga un clic. Asegúrese de que la batería esté completamente fijada.

NOTA: Cuando extraiga la batería, sosténgala firmemente para evitar caídas y daños personales.

4. Conexión y desconexión (Ver Fig. J)



ATENCIÓN: Compruebe la batería antes de utilizar la herramienta inalámbrica. Utilice únicamente la batería

especificada en la sección de accesorios.

Para la **puesta en marcha** del aparato presionar el bloqueo de conexión (15), y a continuación, accionar y mantener en esa posición el interruptor de conexión /desconexión (2). Soltar entonces el bloqueo de conexión.

Para la **desconexión** soltar el interruptor de conexión/desconexión.

5. CORTAR



IMPORTANTE: ¿Está lleno el depósito de aceite? Verificar el nivel de aceite (14) antes de comenzar a aserrar y observarlo continuamente durante el trabajo (Ver Fig. K1). Rellenar aceite si el nivel ha alcanzado el borde inferior de la mirilla. Trabajando normalmente, un depósito lleno alcanza aprox. unos 12 minutos.

Verificar periódicamente cada 10 minutos de operación, si la tensión de la cadena es correcta. Especialmente.

- 1) Instalar la batería en la máquina.

- 2) Asegúrese de que la sección del tronco que desea cortar no está en el suelo. Esta medida evitará que la cadena (7) toque el suelo cuando corte el tronco.
Si la cadena toca el suelo mientras aquella está en movimiento es peligroso y dañará su filo.
- 3) Utilice ambas manos para asir con firmeza la sierra. Utilice siempre la mano izquierda para asir el mango delantero (4) y la mano derecha para asir el mango trasero (1). Agárrela con firmeza. Mantenga bien abarcadas siempre las empuñaduras con el pulgar y los dedos (Ver Fig. K2).
- 4) Asegúrese de que su equilibrio es firme. Mantenga los pies separados a la anchura de los hombros. Divida el peso uniformemente en ambos pies.
- 5) Cuando esté preparado para hacer un corte, empuje el botón de seguridad (15) completamente hacia adentro con el pulgar derecho y apriete el gatillo. Esta operación encenderá la motosierra. Si suelta el gatillo la motosierra se apagará. Asegúrese de que al motosierra funciona a plena velocidad antes de iniciar un corte.
- 6) Cuando inicie un corte, desplace lentamente la cadena en movimiento contra la madera. La madera debe estar lo más cerca posible del cuerpo de la sierra. Sujete la motosierra firmemente en su lugar para evitar que la motosierra rebote o patine (movimiento lateral).
- 7) Guíe la sierra presionando ligeramente y no ejerza una presión excesiva en la motosierra, permitiendo que la sierra haga su trabajo. El motor se sobrecargará y se puede comer. La sierra funcionará mejor y más segura a la velocidad para la que ha sido diseñada.
- 8) Quite la motosierra de un corte cuando aquella funcione a plena velocidad. Detenga la motosierra liberando el conmutador de encendido (2) y apagado. Asegúrese de que la cadena se ha detenido antes de dejar la sierra.
- 9) Practique utilizando leños inservibles en un lugar seguro hasta que se sienta cómodo, utilizando un movimiento fluido y una velocidad de corte constante.

Dispositivos de seguridad antirretroceso de esta motosierra

Esta sierra tiene una cadena de bajo retroceso y una barra directriz de retroceso reducido. Ambos elementos reducen la posibilidad de retroceso. Sin embargo, el retroceso puede seguir ocurriendo con esta motosierra.

Cómo evitar el rechazo de la sierra.

- Utilice ambas manos para asir la sierra mientras esta esté en funcionamiento. Agárrela con firmeza. Mantenga bien abarcadas siempre las empuñaduras con el pulgar y los dedos.
- Mantenga todos los elementos de seguridad en su lugar en la sierra. Asegúrese de que funcionan correctamente.
- No intente llegar donde no puede ni cortar por encima de la altura del hombro.

- Mantenerse firme y con buen equilibrio en todo momento.
- Colóquese ligeramente al lado izquierdo de la motosierra. Esto impide que el cuerpo se encuentre en la misma línea de la cadena.
- No deje que el extremo de la espada entre en contacto con nada mientras la cadena esté en movimiento.
- No intente nunca cortar dos troncos al mismo tiempo. Corte sólo un tronco a la vez.
- No introduzca bruscamente el extremo de la espada ni intente cortar utilizando la fuerza (penetrando la madera con el extremo de la espada).
- Permanezca atento a las ramas movedizas y a otras fuerzas que pudieran cerrar un corte o caer sobre la cadena.
- Tenga sumo cuidado cuando reanude un corte iniciado anteriormente.
- Utilice solamente la cadena de bajo retroceso y la barra (6) directriz suministrados con esta motosierra.
- Nunca trabajar con cadenas de sierra densadas, distendidas, o muy desgastadas. Observe que la tensión de la cadena sea correcta.

Cómo utiliza la motosierra de forma segura

1. Utilice la motosierra solamente cuando esté en equilibrio
2. Sujete la motosierra en el lado derecho del cuerpo (Ver Fig. L).
3. La cadena (7) debe funcionar a plena velocidad antes de entrar en contacto con la madera.
4. Utilice las puntas amortiguadoras (13) para sujetar la sierra a la madera antes de empezar a cortar.
5. Utilice las puntas amortiguadoras como un punto de palanca durante el corte. (Ver Fig. M)
6. No utilice la motosierra con los brazos totalmente extendidos, no intente serrar áreas de difícil acceso ni se coloque en una escalera durante el serrado (Ver Fig. N).

No utilice nunca la motosierra por encima de la altura de los hombros.

ASERRADO DE MADERA EN TENSIÓN (VER FIG. O)



ADVERTENCIA: Está prevenido al cortar una rama que se encuentre bajo tensión, ya que podría retroceder elásticamente.

A medida que va cortando la rama puede que la tensión a la que está sometida haga que ésta se desgarré bruscamente y golpee al usuario o/y que le haga perder el control sobre la sierra de cadena.

Si el tronco es soportado por ambos extremos, comenzar a serrar primero por arriba (Y), hasta un tercio de su diámetro (corte superior), y a continuación terminar de cortar desde abajo (Z) de manera que coincidan las ranuras de corte, evitándose así que el tronco se astille o que se agarrote la sierra. Al realizar esto deberá cuidarse que la cadena de sierra no toque el suelo. Si el tronco

solamente se apoya por un extremo serrar primero por abajo (Y) hasta un tercio de su diámetro (corte inferior) y cortar después completamente desde arriba (Z) de manera que coincidan las ranuras de corte, evitándose así que el tronco se astille o que se agarrote la sierra.


USO DE LA SIERRA DE PÉRTIGA (SOLO PARA WG323E, WG323E.9)

Corte con correas para el hombro (Ver Fig. P1)

El mástil de extensión incluye una correa para el hombro que ofrece apoyo adicional al sostener la sierra eléctrica en el aire. Enganche la correa para el hombro al mástil de extensión y colóquela sobre su hombro. La correa para el hombro puede, además, suavizar el impacto que podría sufrir la sierra eléctrica al caer tras finalizar un corte.

Cortar con la sierra de pértiga

1. Instalar la batería en la máquina.
2. Antes de cortar una rama alta, tenga en cuenta todos los puntos explicados en la sección anterior "Podado de ramas" y preste especial atención a la posible trayectoria que seguirá la rama al caer.


 **ADVERTENCIA: No permanezca nunca de pie bajo una rama que se está cortando.**

Procure que las personas que pasen por la zona permanezcan alejadas. No permanezca sobre una escalera u otro tipo de soporte inestable mientras utiliza la herramienta. No utilice la herramienta cerca de cables, tendido eléctrico o cables de telefonía. Manténgase a una distancia de 3m (10ft) de cualquier cable eléctrico. (Ver P2-P5)

3. Utilice ambas manos para asir con firmeza la sierra. Para trabajar con la sierra de pértiga, sujétela solo por las zonas de agarre especificadas (Ver Fig. P6). Agárrela con firmeza. Mantenga bien abarcadas siempre las empuñaduras con el pulgar y los dedos.
4. Asegúrese de que su equilibrio es firme. Mantenga los pies separados a la anchura de los hombros. Divida el peso uniformemente en ambos pies.
5. Cuando esté preparado para hacer un corte, empuje el botón de seguridad (30) completamente, y, a continuación, presione por completo el interruptor de encendido y apagado (31) (Ver Fig. P7). Esta operación encenderá la motosierra. Si suelta el gatillo la motosierra se apagará. Asegúrese de que al motosierra funciona a plena velocidad antes de iniciar un corte.
6. Cuando inicie un corte, desplace lentamente la cadena en movimiento contra la madera. Sujete la motosierra firmemente en su lugar para evitar que la motosierra rebote o patine (movimiento lateral).
7. Guíe la sierra presionando ligeramente y no ejerza una presión excesiva en la motosierra. El motor se sobrecargará y se puede comer. La sierra funcionará mejor y más segura a la velocidad para la que ha sido diseñada.
8. Quite la motosierra de un corte cuando aquella funcione a plena velocidad. Detenga la motosierra


liberando el conmutador de encendido y apagado. Asegúrese de que la cadena se ha detenido antes de dejar la sierra.

PODAR UN ÁRBOL

 **ADVERTENCIA: Evite los golpes de retroceso, ya que pueden provocar lesiones graves o incluso mortales. Para aprender a evitar los golpes de retroceso, consulte Golpes de retroceso.**

ADVERTENCIA: No utilice la sierra de pértiga en las siguientes situaciones:

- Desde un árbol
 - Desde una escalera o cualquier otra superficie inestable
 - Desde una posición inestable
- Podría perder el control de la sierra de pértiga y alguien podría resultar herido de gravedad.**

 **ADVERTENCIA: No levante los brazos por encima de la altura de los hombros cuando utilice la sierra de pértiga.**

PRECAUCIÓN: Si las condiciones a las que se enfrenta exceden su nivel de habilidad, solicite ayuda a un profesional.

El proceso de poda consiste en cortar las ramas de un árbol vivo. Asegúrese de que su equilibrio es firme. Mantenga los pies separados a la anchura de los hombros. Divida el peso uniformemente en ambos pies.

Para podar un árbol, siga estas instrucciones:

1. Realice el primer corte a 15 cm del árbol del tronco, en la parte inferior de la rama que se quiere cortar. Utilice la parte superior de la cadena para realizar este corte. Corte 1/3 del diámetro de la rama (véase la Fig. P8).
2. Avance entre 5 y 10 cm hacia fuera en la rama. Realice el segundo corte por la parte superior de la rama y no se detenga hasta que esté completamente cortada.
3. Realice un tercer corte lo más cerca que pueda del tronco por la parte inferior del muñón de la rama que queda. Corte 1/3 del diámetro del muñón.
4. Realice un cuarto corte justo encima del tercero y descienda hasta encontrarse con el tercer corte. De esta forma se desprenderá el muñón de la rama.

MANTENIMIENTO DE LA SIERRA

Siga las instrucciones de mantenimiento en este manual. La limpieza adecuada de la sierra y cadena así como el mantenimiento de la espada pueden reducir la posibilidad de retroceso. Examine y proceda al mantenimiento de la sierra después de cada uso. Con ello aumentará la vida útil de su sierra.

NOTA: Incluso con un afilado adecuado, el riesgo de retroceso puede aumentar con cada afilado.

MANTENIMIENTO Y ALMACENAMIENTO DE LA MOTOSIERRA

1. Extraiga la batería de la sierra.

- Cuando no la esté utilizando
- Antes de trasladar la cadena de un lugar a otro
- Antes de su reparación
- Antes de cambiar cualquier accesorio o extensión, como la cadena de la motosierra y la barra de seguridad.

2. Examine la sierra después de cada uso. Compruebe la motosierra meticulosamente si la protección o cualquier otra pieza ha resultado dañada.

Compruebe si hay algún daño que pueda afectar a la seguridad del operario o al funcionamiento de la motosierra. Compruebe si las piezas móviles están bien alineadas o bloqueadas. Compruebe si hay piezas rotas o dañadas. No utilice la motosierra si los daños afectan a la seguridad o al funcionamiento. Pida al centro de servicio autorizado que reparen los daños. Para buscar un centro de servicio autorizado, visite www.worx.com

3. Realice tareas de mantenimiento en la motosierra con cuidado

- Nunca exponga la motosierra a la lluvia.
- Mantenga la cadena afilada, limpia y lubricada para asegurar un funcionamiento óptimo y seguro.
- Siga los pasos descritos en este manual para afilar la cadena.
- Mantenga las manos secas, limpias y sin aceite o grasa.
- Mantenga todos los tornillos y tuercas firmemente apretados.

4. Permitir que el mantenimiento de su herramienta eléctrica sea efectuado por una persona calificada usando solamente piezas de recambio idénticas.

5. Guarde siempre la motosierra cuando no la utilice.

- En un lugar alto o bajo llave, fuera del alcance de los niños.
- En un lugar seco.
- Con la espada y la cubierta (9) colocadas

Mantenimiento de la barra

Para maximizar el período de vida útil de la barra, es recomendable realizar el siguiente mantenimiento.

Los rieles de la barra que transportan la cadena deben limpiarse antes de guardar la herramienta o si la barra o la cadena están sucias.

Los rieles se deben limpiar cada vez que quite la cadena.

Para limpiar los rieles de la barra:

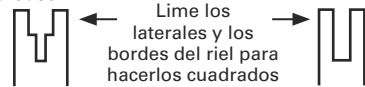
1. Quite la cubierta de la cadena, la barra y la propia cadena. (Consulte la ENSAMBLAJE)
2. Mediante una carda, un destornillador o herramienta adecuada similar, limpie los residuos de los rieles de la barra. (Ver Fig. Q)
3. Asegúrese de limpiar los conductos de aceite completamente.

Condiciones que requieren un mantenimiento

de la cadena (7) y de la espada (6):

- La motosierra corta en un lado o en ángulo
- La motosierra se ha forzado a través del corte
- Suministro inadecuado de aceite a la barra y a la cadena.

Compruebe el estado de la barra directriz cada vez que la cadena se afila. Una barra directriz desgastada dañará la cadena y dificultará el corte. Después de cada uso, con la unidad desconectada de la fuente de alimentación, limpie todo el serrín de la barra directriz y del orificio del piñón. Cuando la parte superior del riel sea irregular, utilice una lima plana para restaurar los laterales y bordes cuadrados.



Ranura desgastada

Ranura correcta

Cambie la barra directriz cuando la ranura esté desgastada, la barra directriz esté doblada o agrietada o cuando los rieles se sobrecalienten o presenten rebabas. Si es necesario realizar el cambio, utilice solamente la barra directriz especificada para la motosierra en la lista de piezas de repuesto o en el sello ubicado en la motosierra.

Cómo Sustituir O Dar La Vuelta A La Cadena De Sierra Y A La Espada

Sustituya la cadena cuando la parte cortante esté demasiado gastada para afilarla o cuando se rompa la cadena. Utilice sólo la cadena de repuesto recomendada en este manual.

Examine la espada antes de afilar la cadena. Una espada gastada o dañada resultará peligrosa.

Una espada gastada o dañada dañará la cadena. Asimismo, el corte resultará más difícil.

Luego, coloque el pestillo de la tensión de la cadena en la nueva barra (23) apretando el tornillo en el sentido de las agujas del reloj. Se deberá colocar el saliente del pestillo (a) en el orificio de la barra. (Ver Fig. R)

AFILADO DE LA CADENA DE SIERRA

ADVERTENCIA: Extraiga la batería de la motosierra antes de realizar tareas de servicio. Pueden producirse severas lesiones o la muerte como resultado de descarga eléctrica o por contacto del cuerpo con la cadena en movimiento.

Mantenga las herramientas de corte limpias y afiladas. Su sierra cortará más rápidamente y de forma más segura. Una cadena mal afilada causará desgaste en el piñón, la espada, la cadena y el motor. Si se ve obligado a introducir la cadena por la fuerza en la madera y el corte sólo produce aserrín y escasos fragmentos grandes, la cadena está mal afilada.

LUBRIQUE EL PIÑÓN

ADVERTENCIA: Utilice guantes profesionales cuando realice tareas de

mantenimiento o servicio en esta herramienta. Quite siempre la batería de la motosierra antes de realizar cualquier tarea de servicio o mantenimiento en esta herramienta.

NOTA: No es necesario extraer la cadena o la barra para lubricar el piñón

1. Limpie la barra y el piñón.
2. Utilice una engrasadora, insertando la punta en el orificio de lubricación e inyecte grasa hasta que salga por el borde exterior de la punta del piñón. (Ver Fig. S)
3. Rote el piñón y tire de la cadena a mano hasta que el lado sin grasa del piñón esté alineado con el orificio de lubricación. Repita el proceso de lubricación.

PROTECCIÓN AMBIENTAL



Los residuos de aparatos eléctricos y electrónicos no deben depositarse en la basura doméstica. Se deben reciclar en las instalaciones especializadas. Consulte a las autoridades locales o el establecimiento para saber cómo reciclar estos productos.

INVESTIGACIÓN DE AVERÍAS

En la siguiente tabla se indican los síntomas, posibles causas y soluciones para ayudarle en el caso de que su herramienta eléctrica no funcione correctamente. Si ello no le permite identificar o subsanar el fallo diríjase a su taller de servicio habitual.

ATENCIÓN: Antes de tratar de localizar el fallo desconecte la herramienta eléctrica y retire el acumulador.

Síntomas	Posible causa	Solución
La sierra de cadena no funciona.	Batería agotada. Fusible defectuoso.	Cargue la batería. Cambiar el fusible.
La sierra de cadena trabaja de forma intermitente.	Sobrecalentamiento Se ejerce demasiada presión al cortar. Conexión suelta. Contacto falso interno. Interruptor de conexión/desconexión defectuoso.	Coloque la máquina en un lugar fresco y bien ventilado y deje que se enfríe. Ejercer menos presión al cortar. Acudir a un taller especializado. Acudir a un taller especializado. Acudir a un taller especializado.
Cadena de sierra sin lubricar.	No hay aceite en el depósito. El taladro de aireación que lleva el tapón del depósito de aceite está obturado. Canal de salida de aceite obturado.	Rellenar con aceite. Limpiar el tapón del depósito de aceite. Desatascar el canal de salida de aceite.
Cadena o carril guía calientes.	No hay aceite en el depósito. El taladro de aireación que lleva el tapón del depósito de aceite está obturado. Canal de salida de aceite obturado. Tensión de la cadena excesiva. Cadena mellada.	Rellenar con aceite. Limpiar el tapón del depósito de aceite. Desatascar el canal de salida de aceite. Ajustar la tensión de la cadena. Reafilarse la cadena o sustituirla.
La sierra de cadena marcha de forma irregular, vibra o no corta correctamente.	La tensión de la cadena es muy baja. Cadena mellada. Cadena desgastada. El sentido del filo de los dientes de sierra es contrario al sentido de marcha.	Ajustar la tensión de la cadena. Reafilarse la cadena o sustituirla. Sustituir la cadena. Darle la vuelta a la cadena de sierra para que el filo de los dientes quede en sentido de marcha.

DECLARACIÓN DE CONFORMIDAD

Los que reciben,
Positec Germany GmbH
Grüner Weg 10, 50825 Cologne, Germany

Declaran que el producto,
Descripción **Sierra pértiga y motosierra a batería**

Modelo **WG322E WG322E.9 WG323E WG323E.9 (3 - denominación de la máquina, representa la sierra pértiga y la motosierra)**
Funciones **Cortar madera**

Cumple con las siguientes Directivas:

2006/42/EC
2014/30/EU
2011/65/EU
2000/14/EC enmendado por 2005/88/EC

Notificación realizada por:

Nombre: Intertek Deutschland GmbH (cuerpo notificado 0905)
Dirección: Stangenstraße 1, 70771 LEINFELDEN-ECHTERDINGEN
Nº de certificado: 17SHW1086-01 (WG322E WG322E.9) 17SHW1166-01 (WG323E WG323E.9)

WG322E WG322E.9

2000/14/EC enmendado por 2005/88/EC:
- Procedimiento de evaluación de la conformidad de acuerdo con **Annex V**
- Nivel de presión acústica **94.7 dB(A)**
- Nivel de intensidad acústica **96 dB(A)**

WG323E WG323E.9

2000/14/EC enmendado por 2005/88/EC:
- Procedimiento de evaluación de la conformidad de acuerdo con **Annex V**
- Nivel de presión acústica **95.2 dB(A)**
- Nivel de intensidad acústica **96 dB(A)**

Cumple las normativas:

EN 60745-1
EN 60745-2-13
EN ISO 3744
EN 55014-1
EN 55014-2
Partes de EN ISO11680-1

La persona autorizada para componer el archivo técnico,

Firma: Marcel Filz
Dirección: Positec Germany GmbH,
Grüner Weg 10, 50825 Cologne,
Germany



2018/03/09
Allen Ding
Ingeniero Jefe Adjunto. Pruebas y Certificación
Positec Technology (China) Co., Ltd.
18, Dongwang Road, Suzhou Industrial
Park, Jiangsu 215123, P. R. China

ALGEMENE VEILIGHEIDSWAARSCHUWINGEN VOOR VERMOGENSMACHINE

 **WAARSCHUWING! Lees alle instructies zorgvuldig door.** Indien u zich niet aan alle onderstaande instructies houdt, kan dat leiden tot een elektrische schok, brand en/of ernstig letsel.

Bewaar alle waarschuwingen en instructies voor latere naslag.

De term “(elektrisch) gereedschap” in de waarschuwingen hieronder, verwijst naar uw op netspanning werkende gereedschap (met stroomdraad) of uw accugereedschap (draadloos).

1. WERKGEBIED

- a) **Houd uw werkgebied schoon en zorg ervoor dat deze goed verlicht is.** In rommelige en slecht verlichte werkgebieden gebeuren sneller ongelukken.
- b) **Gebruik elektrisch gereedschap niet in explosieve atmosferen, zoals in de nabijheid van ontvlambare vloeistoffen, gassen of stof.** Elektrisch gereedschap veroorzaakt vonken die de stof of de gassen kunnen doen ontvlammen.
- c) **Houd kinderen en omstanders uit de buurt terwijl u met elektrisch gereedschap werkt.** Afleidingen kunnen ervoor zorgen dat u de controle over het gereedschap verliest.

2. ELEKTRISCHE VEILIGHEID

- a) **De stekker van het elektrisch gereedschap moet passen in het stopcontact. Pas de stekker op geen enkele manier aan om te zorgen dat hij wel past. Gebruik geen adapterstekkers terwijl u geaard elektrisch gereedschap gebruikt.** Onaangepaste stekkers die in het stopcontact passen, verminderen de kans op een elektrische schok.
- b) **Vermijd lichamen contact met geaarde of gegronde oppervlakken, zoals buizen, radiatoren, fornuizen en koelkasten.** Als uw lichaam geaard of geground is, is er een grotere kans op een elektrische schok.
- c) **Stel uw elektrisch gereedschap niet bloot aan regen of natte omstandigheden.** Water dat elektrisch gereedschap kan binnendringen, vergroot de kans op een elektrische schok.
- d) **Gebruik de stroomdraad niet op een andere manier dan waarvoor deze gemaakt is. Trek niet aan de stroomdraad, ook niet om de stekker uit het stopcontact te krijgen en draag het gereedschap niet door het aan de stroomdraad vast te houden. Houd de stroomdraad uit de buurt van hitte, olie, scherpe hoeken en bewegende onderdelen.** Beschadigde of verwarde stroomdraden

vergroten de kans op een elektrische schok.

- e) **Wanneer u het elektrische gereedschap buitenshuis gebruikt, dient u te zorgen voor een verlengsnoer dat geschikt is voor gebruik buitenshuis.** Het gebruik van een verlengsnoer dat geschikt is voor gebruik buitenshuis, vermindert de kans op een elektrische schok.
- f) **Moet een krachtmachine in een vochtige locatie worden gebruikt, gebruik dan een aardlekschakelaar (ALS).** Een ALS vermindert het gevaar op elektrische schokken.

3. PERSOONLIJKE VEILIGHEID

- a) **Blijf alert, kijk waar u mee bezig bent en gebruik uw gezonde verstand wanneer u met elektrisch gereedschap werkt. Gebruik geen elektrisch gereedschap wanneer u moe bent of onder de invloed van drugs, alcohol of medicijnen.** Een moment van onoplettendheid bij het gebruik van elektrisch gereedschap kan leiden tot ernstig persoonlijk letsel.
 - b) **Gebruik een veiligheidsuitrusting. Draag altijd oogbescherming.** Een veiligheidsuitrusting, zoals een stofmasker, schoenen met antislipzolen, een veiligheidshelm, of oorbescherming die onder de juiste omstandigheden gebruikt wordt, vermindert de kans op persoonlijk letsel.
 - c) **Pas op dat het apparaat niet onbedoeld wordt gestart. Zorg ervoor dat de schakelaar uit staat voordat u de voeding en/of batterij aansluit, en als u de machine oppakt en draagt.** Gereedschap dragen terwijl u uw vinger op de schakelaar houdt, of de stekker in het stopcontact steken terwijl het gereedschap ingeschakeld staat, is vragen om ongelukken.
 - d) **Verwijder inbussleutels of moersleutels voordat u het gereedschap inschakelt.** Een sleutel die nog in of op een draaiend onderdeel van het elektrische gereedschap zit, kan leiden tot ernstig persoonlijk letsel.
 - e) **Werk niet boven uw macht. Zorg er altijd voor dat u stevig staat en goed in balans bent.** Hierdoor heft u betere controle over het gereedschap in onverwachte situaties.
 - f) **Draag geschikte kleding. Draag geen loszittende kleding of sieraden. Houd uw haar, kleding en handschoenen uit de buurt van bewegende onderdelen.** Loszittende kleding, sieraden of lang haar kan vast komen te zitten in bewegende onderdelen.
 - g) **Wanneer er apparaten worden bijgeleverd voor stofafzuiging en -opvang, zorg er dan voor dat deze aangesloten zijn en op de juiste manier gebruikt worden.** Het gebruik van deze apparaten vermindert de gevaren die door stof kunnen ontstaan.
- ## 4. GEBRUIK EN ONDERHOUD VAN ELEKTRISCH GEREEDSCHAP
- a) **Forceer het gereedschap niet. Gebruik gereedschap dat voor de toepassing**

geschikt is. Het gebruik van geschikt gereedschap levert beter werk af en werkt veiliger als het gebruikt wordt op de snelheid waar het voor ontworpen is.

- b) Gebruik het gereedschap niet wanneer de aan/uitschakelaar niet functioneert.** Gereedschap dat niet kan worden bediend met behulp van de schakelaar is gevaarlijk en dient te worden gerepareerd.
- c) Neem de stekker uit het stopcontact en/of verwijder de batterij voordat u instellingen veranderd, toebehoren vervangt of de machine opbergt.** Deze preventieve veiligheidsmaatregelen verminderen de kans op het ongewild inschakelen van het gereedschap.
- d) Berg gereedschap dat niet gebruikt wordt buiten het bereik van kinderen op en laat personen die niet bekend zijn met het gereedschap of met deze veiligheidsinstructies het gereedschap niet bedienen.** Elektrisch gereedschap kan in de handen van ongetrainde gebruikers gevaarlijk zijn.
- e) Onderhoud elektrisch gereedschap op de juiste wijze. Controleer of bewegende onderdelen nog goed uitgelijnd staan, of ze niet ergens vastzitten en controleer op elke andere omstandigheid die ervoor kan zorgen dat het gereedschap niet goed functioneert. Wanneer het gereedschap beschadigd is, dient u het te repareren voordat u het in gebruik neemt.** Veel ongelukken worden veroorzaakt door slecht onderhouden elektrisch gereedschap.
- f) Houd snijdend gereedschap schoon en scherp.** Goed onderhouden snijdend gereedschap met scherpe zaagbladen/messen zal minder snel vastlopen en is makkelijker te bedienen.
- g) Gebruik het gereedschap, de accessoires, de bitjes, enz. in overeenstemming met deze instructies en op de manier zoals bedoeld voor het specifieke type elektrisch gereedschap, rekening houdend met de werkomstandigheden en het uit te voeren werk.** Het gereedschap gebruiken voor andere doeleinden dan waar deze voor ontworpen is, kan gevaarlijke situaties opleveren.

5. GEBRUIK EN ONDERHOUD VAN ACCUGEREEDSCHAP

- a) Laad het accupack alleen op met de door de fabrikant aangegeven oplader.** Een oplader die geschikt is voor het ene type accupack, kan brand veroorzaken wanneer die gebruikt wordt voor een ander type accupack.
- b) Gebruik het gereedschap uitsluitend met het aangegeven accupack.** Door het gebruik van andere accupacks ontstaat de kans op letsel of brand.
- c) Wanneer het accupack niet gebruikt wordt, dient u het uit de buurt te houden van metalen voorwerpen, zoals paperclips, munten, sleutels, spijkers, schroeven of**

andere kleine metalen voorwerpen die een verbinding kunnen maken tussen de contactpunten van de terminal. Het kortsluiten van de accuterminals kan zorgen voor brandwonden of brand.

- d) Onder extreme omstandigheden kan er vloeistof uit de accu lopen; raak deze vloeistof niet aan. Wanneer u toch onverhoopt met de vloeistof in aanraking komt, dient u dit onmiddellijk af te spoelen met water.** Wanneer de vloeistof in de ogen komt, dient u zo snel mogelijk een arts te raadplegen. Vloeistof die afkomstig is uit de accu kan irritatie of brandwonden veroorzaken.

6. SERVICE

- a) Laat uw elektrisch gereedschap repareren door een bevoegde reparateur die alleen originele reserveonderdelen gebruikt.** Zo bent u er zeker van dat uw gereedschap veilig blijft.

VEILIGHEIDSVORSCHRIFT- EN VOOR KETTINGZAGEN

- 1. Houd bij een lopende zaag alle lichaamsdelen uit de buurt van de zaagketting. Controleer voor het starten van de zaag dat de zaagketting niets aanraakt.** Bij werkzaamheden met een kettingzaag kan een moment van onoplettendheid ertoe leiden dat kleding of lichaamsdelen door de zaagketting worden meegenomen.
- 2. Houd de kettingzaag met uw rechterhand aan de achterste handgreep en met uw linkerhand aan de voorste handgreep vast.** Als u de kettingzaag anders vasthoudt, loopt u een hoger risico op verwondingen. Houd de kettingzaag daarom alleen zoals voorgeschreven vast.
- 3. Houd het gereedschap alleen aan de geïsoleerde handgrepen vast, omdat de kettingzaag in aanraking kan komen met verborgen bedrading.** Als de zaagketting een onder stroom staande draad aanraakt, zorgt dit er voor dat niet-geïsoleerde delen van het gereedschap ook onder stroom komen, waardoor de gebruiker een elektrische schok kan krijgen.
- 4. Draag een veiligheidsbril en gehoorbescherming. Overige beschermende uitrusting voor hoofd, handen, benen en voeten wordt geadviseerd.** Passende beschermende kleding vermindert het verwondingsgevaar door rondvliegend spaanmateriaal en toevallig aanraken van de zaagketting.
- 5. Werk met de kettingzaag niet op een boom.** Bij gebruik van een kettingzaag op een boom bestaat verwondingsgevaar.
- 6. Let er altijd op dat u stevig staat en gebruik de kettingzaag alleen als u op een stevig en vlakke ondergrond staat.** Een

gladde of instabiele ondergrond kan, in het bijzonder bij het gebruik van een ladder, tot het verlies van de controle over uw evenwicht en de kettingzaag leiden.

7. **Houd er bij het afzagen van een onder spanning staande tak rekening mee dat deze terugveert.** Als de spanning in de houtvezels vrijkomt, kan de gespannen tak de bediener raken, of kan deze de bediener de controle over de kettingzaag doen verliezen.
8. **Wees bijzonder voorzichtig bij het zagen van laag houtgewas en jonge bomen.** Het dunne materiaal kan in de zaagketting blijven hangen en op u slaan of u uit het evenwicht brengen.
9. **Draag de kettingzaag aan de voorste handgreep met stilstaande zaagketting en naar achteren wijzende geleidingsrail. Breng altijd de veiligheidsafscherming aan voordat u de kettingzaag vervoert of opbergt.** Een zorgvuldige omgang met de kettingzaag vermindert de kans op per ongeluk aanraken van de lopende zaagketting.
10. **Volg de aanwijzingen voor het smeren, de kettingspanning en het wisselen van toebehoren op.** Een onjuist gespannen of gesmeerde ketting kan breken of het terugslagrisico verhogen.
11. **Houd handgrepen droog, schoon en vrij van olie en vet.** Vettige grepen met olie zijn glad en leiden tot het verlies van de controle over de kettingzaag.
12. **Zaag alleen hout. Gebruik de kettingzaag alleen voor werkzaamheden waarvoor deze bestemd is. Voorbeeld: Gebruik de kettingzaag niet voor het zagen van plastic, metselwerk of bouwmaterialen die niet van hout zijn.** Het gebruik van de kettingzaag voor werkzaamheden waarvoor deze niet bestemd is, kan tot gevaarlijke situaties leiden.

OORZAKEN EN VOORKOMING VAN EEN TERUGSLAG:

Terugslag kan optreden als de punt van de geleidingsrail een voorwerp raakt of als het hout buigt en de zaagketting in de groef wordt vastgeklemd.

Een aanraking met de punt van de geleidingsrail kan in veel gevallen tot een onverwachte en naar achteren gerichte actie leiden, waarbij de geleidingsrail omhoog en in de richting van de bediener wordt geslagen.

Het vastklemmen van de zaagketting aan de bovenkant van de geleidingsrail kan de geleidingsrail snel in de richting van de bediener terugstoten.

Elk van deze reacties kan ertoe leiden dat u de controle over de zaag verliest en u zich mogelijk ernstig verwondt. Vertrouw niet uitsluitend op de in de kettingzaag ingebouwde veiligheidsvoorzieningen. Als gebruiker van een kettingzaag dient u verschillende maatregelen

te treffen om zonder ongevallen en zonder verwondingen te kunnen werken.

Een terugslag is het gevolg van het verkeerd gebruik of onjuiste gebruiksomstandigheden van het elektrische gereedschap. Terugslag kan worden voorkomen door geschikte voorzorgsmaatregelen, zoals hieronder beschreven:

- **Houd de zaag met beide handen vast, waarbij duim en vinger de grepen van de kettingzaag omsluiten. Neem een zodanige lichaamshouding in en houd uw armen in een zodanige positie, dat u stand kunt houden ten opzichte van de terugslagkrachten.** Als geschikte maatregelen worden getroffen, kan de bediener de terugslagkrachten beheersen. Laat de kettingzaag nooit los.
- **Voorkom een abnormale lichaamshouding en zaag niet boven schouderhoogte.** Daardoor wordt per ongeluk aanraken met punt van de kettinggeleider voorkomen en kan de kettingzaag in onverwachte situaties beter onder controle worden gehouden.
- **Gebruik altijd de door de fabrikant voorgeschreven vervangende kettinggeleiders en zaagkettingen.** Verkeerde vervangende kettinggeleiders en zaagkettingen kunnen tot kettingbreuk en terugslag leiden.
- **Houd u aan de aanwijzingen van de fabrikant voor het slijpen en het onderhoud van de zaagketting.** Te lage dieptebegebers verhogen de neiging tot terugslag.

RESTRISICO'S

Zelfs als het apparaat zoals beoogd wordt gebruikt, is er altijd een restrisico dat niet kan worden vermeden. Afhankelijk van het type en bouw van het apparaat kunnen de volgende mogelijke gevaren voorkomen:

- Contact met zaagtanden van de kettingzaag (snijgevaar)
- Contact met de roterende zaagketting (snijgevaar)
- Onvoorziene, abrupte beweging van de geleidestang (snijgevaar)
- Rondvliegende stukjes van kettingzaag (snij-, prikgevaar)
- Rondvliegende stukjes van werkstuk
- Contact tussen huid en olie
- Gehoorverlies, als tijdens het werk geen gehoorbescherming wordt gedragen

VEILIGHEIDSWAARSCHUWINGEN VOOR BEKZAAG MET VERLENGSTUK

1. Gebruik de machine niet wanneer de bediener moe of ziek is, of onder invloed van alcohol of drugs is.
2. Houd omstanders op een veilige afstand tijdens

het werken met de machine om risico's te minimaliseren.

3. Wees u bewust van het gevaar van de verschillende werkhoudingen, evenals van het risico te worden getroffen door vallende takken of takken die de grond geraakt hebben en terugspringen. De bediener kan getroffen worden door vallende takken of takken die opspringen nadat ze de grond geraakt hebben. Verwijder de takken in de secties.
4. Zoek tijdens het gebruik een stevige positie van de voeten en een goede balans. Gebruik de bijgeleverde bescherming.
5. Houd de machine op voldoende afstand van elektrische leidingen.

VEILIGHEIDSINSTRUCTIES VOOR HET ACCUPACK

- a) **Batterijcellen en accupacks mogen niet gedemonteerd, geopend of vernietigd worden.**
- b) **Sluit accupacks niet kort. Bewaar accupacks niet willekeurig in een doos of lade waar ze elkaar kunnen kortsluiten of door geleidende voorwerpen kortgesloten kunnen worden.** Houd het accupack op een afstand van andere metalen voorwerpen als paperclips, muntstukken, sleutels, nagels, schroeven en andere kleine metalen voorwerpen die de contacten van de accupack kunnen verbinden. Kortgesloten contacten van accupacks kunnen brandwonden of brand veroorzaken.
- c) **Stel accupacks niet bloot aan warmte of vuur. Vermijd opslag in direct zonlicht.**
- d) **Stel accupacks niet bloot aan mechanische schokken.**
- e) **Als een accu lekt dient men voorzichtig te zijn dat de vloeistof niet in contact komt met de huid of de ogen. Als dat toch gebeurt spoelt men de huid onder stromend water en raadpleegt men een arts.**
- f) **Raadpleeg meteen een arts wanneer een batterij of accupack is ingeslikt .**
- g) **Houd batterijcellen en accupacks schoon en droog.**
- h) **Veeg de aansluitingen van het accupack schoon met een droge doek als ze vuil zijn geworden.**
- i) **Accupacks moeten voor gebruik worden opgeladen. Lees de gebruiksaanwijzing voor de juiste laad instructies.**
- j) **Laat accupacks niet langdurig opladen als ze niet worden gebruikt.**
- k) **Na een lange opslagperiode kan het nodig zijn het accupack enkele keren op te laden en te ontladen voor een optimale prestatie.**
- l) **Accupacks presteren het best bij normale kamertemperatuur (20°C ± 5°C).**
- m) **Wanneer u accupacks wegwerpt, dient u accupacks van verschillende**

elektrochemische systemen van elkaar afgezonderd te houden.

- n) **Laad alleen op met een lader met de technische gegevens van WORX. Gebruik geen andere lader dan de lader die specifiek voor dat doel met de apparatuur is meegeleverd.** Een lader voor één type accupack geschikt is kan een brandgevaar inhouden wanneer gebruikt met een ander type.
- o) **Gebruikt geen accupack dat niet bedoeld is voor gebruik met deze apparatuur.**
- p) **Houd accupacks buiten het bereik van kinderen.**
- q) **Bewaar de oorspronkelijke instructies van het product voor latere gebruik.**
- r) **Verwijder het batterijpakket uit de apparatuur als het niet in gebruik is.**
- s) **Volg de juiste procedure voor afvalverwijdering na afdanken van dit apparaat .**

BEWAAR DEZE INSTRUCTIES

Instructies voor toepassing van de juiste techniek van vellen, snoeien en doorzagen
1. Bomen vellen

Als u met twee of meer personen tegelijkertijd zaagt en velt, houd dan als afstand tussen de vellende en de zagende personen minstens de dubbele hoogte aan van de te vellen boom. Let er bij het vellen van bomen op, dat u andere personen niet blootstelt aan gevaar, u geen leidingen raakt en geen materiële schade veroorzaakt. Als een boom met een stroomleiding in aanraking komt, breng dan direct de energiemaatschappij hiervan op de hoogte.

Stel u als bediener van de kettingzaag, bij zaagwerkzaamheden op een helling, boven de te vellen boom op, omdat de boom na de val waarschijnlijk bergaf zal rollen of glijden. Voor het vellen dient een vluchtweg te worden gepland en wanneer nodig vrijgemaakt te worden. De vluchtweg dient te reiken tot het uiterste punt van de verwachte vallijn zoals wordt getoond door Afbeelding 1.

Houd voor het vellen rekening met de natuurlijke helling van de boom, de plaats van grote takken en de windrichting, om de valrichting van de boom te kunnen beoordelen. Verwijder vuil, stenen, losse schors, spijkers, nieten en draad van de boom.

2. Inkepingen zagen

Maak een inkeping tot 1/3 van de diameter van de boom, loodrecht op de vallijn zoals getoond wordt op Figuur 1. Zaag eerst de onderste horizontale inkeping (W). Hierdoor voorkomt u het vastklemmen van de kettingzaag of van de geleidingsrails bij het zagen van de tweede inkeping (X).

3. Inkeping voor het vellen van de boom zagen

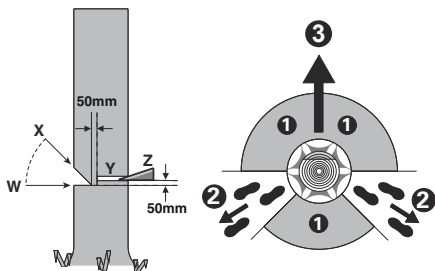
Zaag de inkeping (Y) voor terugvallen ten minste 50 mm hoger dan dan de horizontale inkeping,

zoals getoond wordt op Afbeelding 1. Zaag de inkeping voor het vellen van de boom parallel aan de horizontale inkeping. Zaag de inkeping slechts zo diep in, dat er nog een verbindingstuk (valrand) blijft staan, dat als scharnier kan werken. Het verbindingstuk verhindert, dat de boom draait en in de verkeerde richting valt. Zaag het verbindingstuk niet door.

Als de inkeping voor het vellen van de boom in de buurt van het verbindingstuk komt, moet de boom met vallen beginnen. Als het erop lijkt, dat de boom mogelijk anders niet in de gewenste richting valt of terugbuigt en de zaagketting vastklemt, onderbreekt u het zagen van de inkeping voor het vellen van de boom en gebruikt u een spie van hout, kunststof of aluminium (Z) om de inkeping te openen en om de boom in de gewenste valrichting te doen omslaan (3).

Als de boom begint te vallen, verwijdert u de kettingzaag uit de inkeping, schakelt u de zaag uit, legt u deze neer en verlaat u het gevarenbereik via de geplande vluchtroute (2). Let op naar beneden vallende takken en struikel niet. (Zie afb. 1)

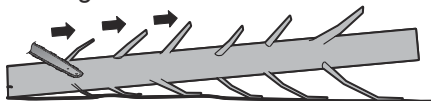
Afbeelding 1



4. Takken van de geveldde boom afzagen

Na het vellen zaagt u de takken van de geveldde boom. Laat grote, naar beneden gerichte takken eerst nog staan wanneer u takken van de geveldde boom afzaagt. Verwijder kleine takken in een enkele zaagebeweging, zoals wordt getoond op Afbeelding 2. Zaag onder spanning staande takken van onderen naar boven om vastklemmen van de zaag te voorkomen.

Afbeelding 2

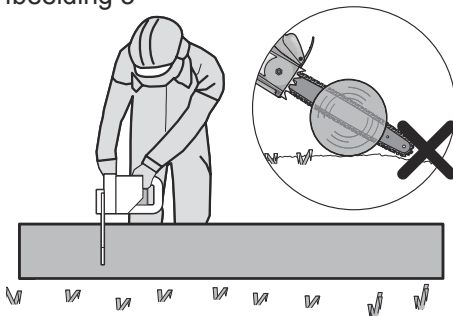


5. Boomstam in stukken zagen

Vervolgens zaagt u de geveldde boom in stukken. Zorg ervoor dat u stevig staat en verdeel uw lichaamsgewicht gelijkmatig over beide voeten wanneer u de geveldde boomstam in stukken zaagt. Leg indien mogelijk takken, balken of spieën onder de stam om deze te steunen. Houdt u aan de

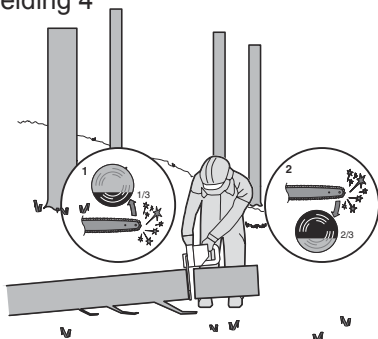
aanwijzingen om gemakkelijk te zagen. Als de stam over de gehele lengte wordt ondersteund, zoals getoond wordt in Afbeelding 3, wordt vanaf de bovenkant gezaagd (overbuck), zorg dat u niet in de aarde zaagt aangezien dit de scherpte van de ketting zal verminderen.

Afbeelding 3



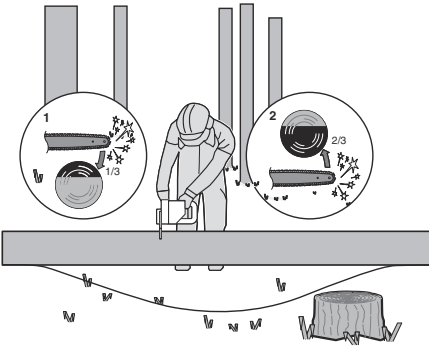
Als het werkstuk aan één zijde wordt ondersteund, zoals is aangegeven in Figuur 4, zaag dan 1/3 van de diameter in aan één zijde (schraag) (1). Zaag dan vanaf de andere zijde (2) in om bij de eerste zaagsnede te komen.

Afbeelding 4



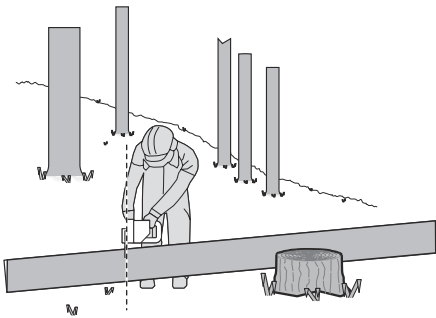
Als de stam aan beide zijden wordt ondersteund, zoals getoond wordt op Afbeelding 5, maak dan een inkeping tot 1/3 van de diameter van de bovenzijde (overbuck) (1). Maak dan de volgende inkeping (2) door vanaf de onderzijde in te zagen tot 2/3 deel om de eerste inkeping te raken.

Afbeelding 5



Als u op een helling zaagt, sta dan altijd aan de bovenzijde van de stam, zoals getoond wordt op Afbeelding 6. Verminder de aandrukkraft wanneer de stam bijna is doorgezaagd en blijf de handgrepen van de kettingzaag stevig vasthouden, zodat u tijdens het moment van doorzagen de controle over de machine behoudt. Let erop dat de zaagketting de grond niet raakt. Wacht na het doorzagen tot de zaagketting tot stilstand is gekomen, voordat u de kettingzaag verwijdert. Schakel de motor van de kettingzaag altijd uit voordat u naar een andere boom gaat.

Afbeelding 6



SYMBOLLEN

	Lees de gebruikershandleiding om het risico op letsels te beperken
	Waarschuwing

	Draag oorbescherming
	Draag een veiligheidsbril
	Draag een stofmasker
	Niet blootstellen aan regen of water
	Draag hoofdbescherming
	Draag beschermende handschoenen.
	Draag veiligheidsschoeisel.
	Waarschuwing: gevaar door bovengrondse elektrische kabels.
	Afgedankte elektrische producten mogen niet bij het normale huisafval terechtkomen. Breng deze producten waar mogelijk naar een recyclecentrum bij u in de buurt. Vraag de verkoper of de gemeente informatie en advies over het recyclen van elektrische apparatuur.
	Batterijen niet weggooien. Breng lege accu's naar een recyclecentrum of inzamelpunt voor chemisch afval bij u in de buurt.
	Niet verbranden.



Niet blootstellen aan regen of water.



Pas op dat de punt van het zwaard niet met enig voorwerp in aanraking komt



Door aanraken kan het zwaard plotseling omhoog en naar achteren komen, waardoor er ernstig letsel ontstaat.



Bedien de kettingzaag altijd met twee handen.

xINR18/65-y: Cilindrische lithiumionbatterijcellen met maximale diameter van 18mm en maximale hoogte van 65mm; "x" staat voor een aantal cellen dat in serie is aangesloten, blanco indien 1; "-y" staat voor een aantal cellen dat parallel is aangesloten, leeg indien 1.


ONDERDELENLIJST

1. **ACHTERSTE HANDGREEP**
2. **AAN/UITSCHAKELAAR**
3. **OLIETANKDOP**
4. **VOORSTE HANDGREEP**
5. **HANDBESCHERMING**
6. **ZWAARD**
7. **ZAAGKETING**
8. **KETTINGSPANKNOP**
9. **AFSCHERMING**
10. **ACCUPACK ***
11. **ONTGRENDPAL ACCU***
12. **ACHTERSTE HANDAFSCHERMING**
13. **BUMPERPUNT**
14. **AANUIDING VAN OLIENIVEAU**
15. **INSCHAKELBLOKKERING**
16. **KETTINGWIEL**
17. **LOOPRICHTING- EN SNIJRICHTINGSYMBOL**
18. **OLIESPROEIER**
19. **STAAFKLEM**
20. **GAT BEVESTIGINGSSTAAF**
21. **ZWAARDGELEIDINGSBRUG**
22. **STAAF EN KETTINGOPSLAG/AFSCHERMING TRANSPORT*(SCHEDE)**
23. **KETTINGVANGER (ZIE AFB. A)**
24. **HANDVAT VAN HET VERLENGSTUK***
25. **VERGRENDELKNOP***
26. **KLEMHENDEL***
27. **BINNENSTE VERLENGSTUK***
28. **AANDRAAIKNOP***
29. **VERBINDINGSKLEM VAN HET VERLENGSTUK***
30. **ONTGRENDELKNOP OP HET HANDVAT VAN HET VERLENGSTUK***
31. **AAN-/UITSCHAKELAAR OP HET HANDVAT VAN HET VERLENGSTUK***
32. **SCHOUDERRIEM***

* Niet alle afgebeelde of beschreven toebehoren worden standaard meegeleverd.

TECHNISCHE GEGEVENS

Type **WG322E WG322E.9 WG323E WG323E.9** (3 - benoeming van machine, vertegenwoordiger van kettingzaag en stokzaag)

	WG322E	WG322E.9	WG323E	WG323E.9
Spanning	20V  Max**			
Zwaardlengte	25cm			
Kettingsnelheid	3.8m/s			
Inhoud olievoorraadreservoir	130ml			
Kettingmaat	3/8"			
Aantal kettingschakels	40			
Kettingmeting	0.043"			
Type adaptieve ketting	ES: 3/8.043-40E/ QIRUI : A0(T)-40E/ OREGON: 90PX040G			
Type adaptieve stang	ES: ES104SDEA041/ QIRUI : PO10-43SR(T) / OREGON: 104MLEA041			
Oplaadtijd	5hrs			
Gewicht (inclusief ketting en zwaard)	2.8kg	2.4kg	4.6kg	4.2kg

**Voltage gemeten zonder belasting. De initiële accuspanning bereikt maximaal 20 volt. De nominale spanning bedraagt 18 volt.

TOEBEHOREN

	WG322E	WG322E.9	WG323E	WG323E.9
Zaagketting	1	1	1	1
Zwaard	1	1	1	1
Transporthoes	1	1	1	1
Verlengstok (WA0166)	/	/	1	1
Lader (WA3760)	1	/	1	/
Accupack (WA3551)	1	/	1	/
Schouderriem	/	/	1	1

Wij adviseren u alle accessoires te kopen in de winkel waar u het gereedschap heeft gekocht. Kijk op de verpakking van het accessoire voor meer informatie. Ook het winkelpersoneel kan u helpen en adviseren.

GELUIDSPRODUCTIE

	WG322E WG322E.9	WG323E WG323E.9
A-gewogen geluidsdruk	$L_{pA} = 87.9 \text{ dB(A)}$	$L_{pA} = 85.7 \text{ dB(A)}$
A-gewogen geluidsniveau	$L_{wA} = 96 \text{ dB(A)}$	$L_{wA} = 96 \text{ dB(A)}$

$K_{pA} = 3.0 \text{ dB(A)}$

Draag oorbescherming.



TRILLINGSGEGEVENS

Totale trillingswaarden (triax vector-som) volgens EN 60745:

Trillingsemisiewaarde $a_{\text{h}} < 2.5 \text{ m/s}^2$	Onzekerheid $K = 1.5 \text{ m/s}^2$
---	-------------------------------------

De opgegeven totale trillingswaarde kan worden gebruikt om een gereedschap met een ander te vergelijken en kan ook dienen als een voorlopige beoordeling van de blootstelling.

WAARSCHUWING: De trillingsemisiewaarde tijdens het feitelijke gebruik van dit elektrisch gereedschap kan afwijken van de opgegeven waarde, afhankelijk van de wijze waarop het gereedschap wordt gebruikt, zoals in de volgende voorbeelden: Hoe het gereedschap wordt gebruikt en welk materiaal wordt gesneden of geboord. Of het gereedschap in goede staat verkeerd en correct wordt onderhouden. Gebruik van de juiste toebehoren voor het gereedschap en of deze scherp zijn en in goede staat verkeren. De stevigheid van de grip op de handgrepen en het eventuele gebruik van antivibratie-accessoires. En of het gereedschap wordt gebruikt waarvoor het ontworpen is en in overeenstemming met deze instructies.

Dit gereedschap kan een trillingsyndroom in de handen en armen veroorzaken als het niet op de juiste wijze gehanteerd wordt.

WAARSCHUWING: Voor de nauwkeurigheid moet bij een schatting van het blootstellingsniveau in de feitelijke gebruiksomstandigheden rekening worden gehouden met alle delen van de bedrijfscyclus, zoals het moment waarop het gereedschap wordt uitgeschakeld en terwijl het gereedschap in werking is zonder daadwerkelijk gebruikt te worden. Dit kan het blootstellingsniveau over de totale werkperiode aanzienlijk verminderen.

Help de blootstelling aan trillingen te minimaliseren. Gebruik ALTIJD scherpe beitels, boren en messen. Onderhoud het gereedschap in overeenstemming met deze instructies en houd het goed gesmeerd (indien van toepassing).

Schaf antivibratie-accessoires aan wanneer u het gereedschap geregeld gebruikt. Plan de werkzaamheden zodat de taken met veel trillingen over een aantal dagen verspreid worden.

BEOOGD GEBRUIK

De machine is bestemd voor het vellen van bomen en het zagen van stammen, takken, houten balken, planken etc. en kan worden gebruikt voor schulpen (in de lengte van de houtnerf) en afkorten (dwars op de houtnerf). Deze machine is niet geschikt voor het zagen van minerale materialen.

MONTAGE



WAARSCHUWING! Installeer het accupack niet, voordat dit geheel in elkaar gezet is.

Draag altijd werkhandschoenen bij de omgang met de zaagketting.

MONTAGE VAN ZWAARD EN ZAAGKetting

1. Pak alle delen voorzichtig uit.
2. Plaats de kettingzaag op een vlak oppervlak.
3. Gebruik alleen originele WORX-kettingen of die geschikt zijn voor de geleidebalk.
4. Leg de zaagketting (7) in de rondlopende sleuf van het zwaard (6). Zorg dat de ketting in de juiste richting draait door deze te vergelijken met het pictogram op de geleidebalk of raadpleeg het symbool Richting ketting (17) dat u op de zaag kunt vinden. Controleer of de vanger van de kettingspanner (23) naar buiten gericht is. (Zie afb. A)
5. Leg de kettingschakels om het kettingwiel (16) zo aan dat de bevestigingsbouten (20) en de beide zwaardgeleidingsbruggen (21) in het langgat van het zwaard (6). (Zie afb. B1, B2)
6. Controleer of alle delen goed geplaatst zijn. Zorg dat de aandrijftanden goed in het aandrijf wiel zitten (Zie afb. C1), vermijd knikken zoals op Afb. C2. Als er een knik is, neem de ketting van de geleidebalk net voor de knik en trek de knik uit.

OPMERKING: De ketting moet vrij kunnen draaien en vrij zijn van knikken.

7. Monteer de kettingafscherming (9) en draai de kettingafscherming aan door de knop om de ketting aan te spannen (8) naar rechts te draaien totdat deze vastzit. (Zie afb. D)



WAARSCHUWING: De ketting is nog niet gespannen. De ketting moet gespannen worden zoals beschreven is onder "De kettig spannen". De ketting moet worden geïnspecteerd om zeker te zijn dat de geschikte spanning aanwezig is.

ZAAGKetting SPANNEN (Zie afb. E1, E2)

OPMERKING: Nieuwe zaagkettingen zullen

uitrekken. Controleer regelmatig de kettingspanning bij het eerste gebruik en draai bij de ketting (7) aan wanneer deze los rond het zaagblad (6) komt te zitten.



WAARSCHUWING:

- **Verwijder de batterij uit het gereedschap voordat U de spanning van de zaagketting aanpast.**
 - **De snijranden van de zaagketting zijn scherp. Gebruik handschoenen als u de ketting hanteert.**
 - **Zorg altijd voor de juiste kettingspanning. Een losse ketting geeft een hoger risico op terugslag. Een losse ketting kan uit de groef van het zwaard springen. Dit veroorzaakt verwonding voor de gebruiker en schade aan de ketting. Een losse ketting geeft hogere slijtage aan ketting, zwaard en tandwiel.**
1. Leg de kettingzaag neer op een recht oppervlak.
 2. Draai de kettingspanknop (8) in de richting van de wijzers van de klok tot de juiste kettingspanning is bereikt.

OPMERKING: De spanning wordt automatisch verhoogd als de knop voor de kettingspanning (8) naar rechts wordt gedraaid. Het ratelmechanisme verhindert dat de spanning te los is.

3. Kantel de zaag naar voren (Zie afb. E1) zodat de punt van de geleidebalk (6) in een opwaartse richting wordt geduwd. Dit zal speling van de ketting te verwijderen.
4. Draai de knop van de kettingspanning (8) vast door deze naar links te draaien.
5. Controleer de spanning die door de automatische kettingspanknop is ingesteld. De juiste kettingspanning is bereikt, als de ketting (7) kan worden verhoogd over ca. een halve schakellengte vanaf de geleidingsstang (6) in het midden. Daartoe moet de ketting met één hand tegen het gewicht van de machine in opgetild worden. (Zie afb. E2)

OPMERKING: De ketting (7) is goed aangespannen als hij van de geleidingsstang (6) kan worden opgetild en als de schakel zich in het spoor van de geleidingsstang (6) bevindt.

OPMERKING: De ketting (7) zal uitrekken door gebruik en onvoldoende zijn aangespannen. Als de ketting komt los te zitten, maak de knop (8) om de ketting aan te spannen los of draai de knop drie keer naar links, span vervolgens de knop (8) opnieuw aan om de kettingspanning te herstellen door stap 1 - 4 hierboven te herhalen.

DE VERLENGSTOK MONTEREN (alleen voor WG323E, WG323E.9)

Plaats het handvat van het verlengstuk in de steel. Draai de vergrendelingsknop met de wijzers van de klok mee om te vergrendelen. (Zie afb. F1, F2)

OPMERKING: Zorg ervoor dat de steel goed vergrendeld is.

HET VERLENGSTUK AAN DE MACHINE KOPPELEN (Zie afb. G1)

Stap 1: Plaats de verbindingsklem van het verlengstuk (29) in de zaag
Stap 2: Draai de vergrendelingsknop (28) tegen de wijzers van de klok in om het verlengstuk tegen de machine te klemmen.

OPMERKING: Zorg ervoor dat het verlengstuk vóór gebruik goed op zijn plaats zit en vergrendeld is.

HET VERLENGSTUK VERWIJDEREN (Zie afb. G2)

Stap1: Draai de vergrendelingsknop (28) los met de wijzers van de klok mee en trek hem uit.
Stap2: Schuif de zaag weg om het verlengstuk van de zaag te ontkoppelen.



WAARSCHUWING!

• **Zorg ervoor dat het accupack verwijderd is als u deze machine met het verlengstuk gebruikt.**

De lengte van de stok afstellen.

De stokzaag heeft een telescopische stokconstructie die van 2m (geheel ingetrokken) tot 2.7m (geheel uitgetrokken) reikt.

Klemhendel (26) wordt gebruikt om de stok bij elke verlenging in positie te houden.

1. Maak de klemhendel los als getoond op afb. De stok zal vrij kunnen glijden.
2. Trek het binnenste gedeelte tot de gewenste lengte uit. Opmerking: stel de minimale lengte in die nodig is om af het te zagen gedeelte te kunnen bereiken.
3. Vergrendel met de klemhendel de stok in positie, zoals getoond wordt op afb. H.

KETTINGSMERING



BELANGRIJK: De kettingzaag wordt niet met zaagketttinghechtolie gevuld geleverd. Het is belangrijk om de kettingzaag voor gebruik met olie te vullen. Het gebruik van de kettingzaag zonder zaagketttinghechtolie of bij een oliepeil onder de minimummarkering leidt tot beschadiging van de kettingzaag.

OPMERKING: De levensduur en de snijcapaciteit van de ketting hangt af van de optimale smering. Daarom wordt tijdens het gebruik de zaagketting automatisch met zaagketttinghechtolie gesmeerd.

OLIETANK VULLEN:



WAARSCHUWING: Het accupack verwijderen vóórdat de brandstoftank gevuld wordt.

1. Plaats de kettingzaag met de olietankdop (3) naar boven op een geschikte ondergrond.
2. Maak met een doek de omgeving van de olietankdop schoon, schroef de dop los en verwijder deze.
3. Giet er kettingzaagolie in tot het reservoir vol is.
4. Let erop dat er geen vuil in de olietank terecht komt, plaats opnieuw de olietankdop (3) en

span deze rechtsom aan.



BELANGRIJK: Om uitwisseling van lucht tussen olietank en omgeving mogelijk te maken, zijn er kleine openingen in de olietankdop. Zet de zaag, wanneer u deze niet gebruikt, altijd horizontaal neer, om uitlopen van olie te voorkomen (olietankdop (3) wijst omhoog).

Gebruik uitsluitend de geadviseerde, biologisch afbreekbare hechtolie om beschadiging van de kettingzaag te voorkomen (Grade: ISO VG32). Dit kunt u vinden in de winkel waar u uw zaag hebt gekocht of in uw plaatselijke winkel voor bouwmaterialen. Gebruik nooit gerecyclede olie of oude olie. Bij gebruik van niet-toegelaten olie vervalt de garantie. Niet inslikken. Indien ingeslikt, onmiddellijk een arts raadplegen. Uit het bereik van kinderen bewaren. Uit de buurt van hitte of een open vlam bewaren.

DE AUTOMATISCHE OLIESPUIT CONTROLEREN

De goede werking van de automatische oliespuit kan worden gecontroleerd door de kettingzaag in te schakelen en de punt van de kettinggeleider (6) naar een stuk karton of papier op de grond te richten. Als een toenemend oliepatroon ontwikkelt op het karton, werkt de automatische oliespuit goed. Als er geen oliepatroon is, ondanks een vol oliereservoir, moet u contact opnemen met de klantendienst van WORX of met een door WORX erkende onderhoudsagent.



VOORZICHTIG: raak de grond niet met de ketting. Zorg voor een veiligheidsafstand van 30 cm.

BEDIENING

1. VOORDAT U HET DRAADLOOS GEREEDSCHAP GEBRUIKT



WAARSCHUWING! De oplader en het accupack zijn ontworpen om samen gebruikt te worden, probeer dus geen andere apparaten te gebruiken. Zorg ervoor dat er nooit metalen objecten in de oplader of de contactpunten van het accupack komen, dit kan zorgen voor een elektrische schok en is gevaarlijk.

OPMERKING: Het accupack is NIET opgeladen. Deze moet u dus voor gebruik opladen. De bijgeleverde batterijlader past bij de Lithium-ionbatterij die in het apparaat is geplaatst. Gebruik geen andere batterijlader.

2. DE BATTERIJEN OPLADEN

De Lithium-ionbatterij is beschermd tegen volledig ontladen. Als de batterij leeg is, wordt het toestel uitgeschakeld door een beschermingscircuit. In een warme omgeving, of na zwaar gebruik, kan het batterijpak te heet worden om te kunnen opladen. Laat de batterij enige tijd afkoelen voor het heropladen.

3. HET ACCUPACK VERWIJDEREN OF PLAATSEN (Zie afb. I1, I2, I3)

Druk op de ontgrendelingsknop van de batterijdoos om de batterijdoos uit de gereedschap te verwijderen. Stop de batterijdoos na het opladen in de batterijpoort. U hoeft alleen maar licht te duwen en wat druk uit te oefenen tot een klik hoorbaar is. Controleer om te zien of de batterij volledig is vastgemaakt.

OPMERKING: Verwijdert u het batterijpakket, houd het dan stevig vast zodat het niet valt en letsel veroorzaakt.

4. In- en uitschakelen (Zie afb. J)



ATTENTIE: Controleer het accupack voordat u uw draadloze gereedschap gaat gebruiken. Gebruik alleen het accupack dat in het hoofdstuk Accessoires figureert.

Als u de machine wilt **inschakelen**, drukt u op de inschakelblokkering (15), vervolgens drukt u de aan/uitschakelaar (2) helemaal in en houdt u de schakelaar in deze stand vast. De inschakelblokkering kunt u nu loslaten.

Als u de machine wilt **uitschakelen**, laat u de aan/uitschakelaar los.

5. WERKZAAMHEDEN



BELANGRIJK: Is de olietank gevuld? Controleer de oliepeilaanduiding (14) voor de werkzaamheden en regelmatig tijdens de werkzaamheden (Zie afb. K1). Vul olie bij wanneer het oliepeil de onderkant van het peilglas bereikt heeft. De vulling is voldoende voor ca. 12 minuten, afhankelijk van de pauzes en de intensiteit van de werkzaamheden. Controleer de kettingspanning tijdens het zagen elke 10 minuten.

- 1) Installeer de batterijdoos in de machine.
- 2) Controleer of het deel van de boomstam niet op de grond ligt. Dit verhindert dat de ketting (7) de grond raakt wanneer door de stam wordt gezaagd. Als de grond wordt geraakt terwijl de ketting beweegt, kan dit gevaar opleveren en wordt de ketting bot.
- 3) Houd de zaag met beide handen stevig vast. Neem het voorste handvat (4) in de linkerhand en het achterste handvat (1) in de rechterhand. Gebruik een stevige greep. Omsluit de grepen altijd met duim en vingers. (Zie afb. K2).
- 4) Zorg dat u een stabiele positie aanneemt. Zet de voeten op schouderbreedte uit elkaar. Verdeel uw gewicht gelijkmatig over beide voeten.
- 5) Wanneer u klaar bent om te zagen, duwt u de ontgrendelingsknop (15) volledig naar binnen met de rechterduim en drukt u de starter samen. Hierdoor wordt de zaag ingeschakeld. Als u de starter loslaat, wordt de zaag uitgeschakeld. Controleer of de zaag op volle snelheid werkt voordat u het zagen start.

- 6) Wanneer u begint te zagen, plaatst u de bewegende ketting langzaam tegen het hout. Het hout moet zo dicht mogelijk bij de zaag zijn. Houd de zaag stevig op zijn plaats om mogelijk stuiteren of glijden (zijdellingse beweging) van de zaag te voorkomen.
- 7) Geleid de zaag met lichte druk en oefen geen overmatige kracht uit op de zaag, laat de zaag het werk doen. De motor wordt overbelast en kan doorbranden. Hierdoor doet de zaag zijn werk beter en veiliger aan de snelheid waarvoor deze was bedoeld.
- 8) Verwijder de zaag uit een inkeping terwijl de zaag op volle snelheid werkt. Stop de zaag door de aan/uit-schakelaar (2) los te laten. Controleer of de zaag is gestopt voordat u de zaag neerzet.
- 9) Blijf op een veilige plaats oefenen, totdat u vertrouwd bent met de zaag, gebruik een vloeiende beweging en een constante zaagsnelheid.

Apparaten voor de terugslagveiligheid op deze zaag

Deze zaag heeft een ketting met een lage terugslag en een kettinggeleider met verminderde terugslag. Beide items verminderen de kans op terugslag. Er kan echter nog steeds wat terugslag optreden met deze zaag.

Ter voorkoming van zaagterugslag.

- Houd de zak met beide handen vast terwijl hij loopt. Gebruik een stevige greep. Omsluit de grepen altijd met duim en vingers.
- Zorg ervoor dat alle veiligheidsvoorzieningen aanwezig zijn. Zorg ervoor dat ze goed functioneren.
- Zorg dat u niet te ver reikt of zaagt boven schouderhoogte.
- Zorg er altijd voor dat u stevig staat en goed in balans bent.
- Sta een weinig aan de linkerzijde van de zaag. Hierdoor is uw lichaam niet in een directe lijn ten opzichte van de ketting.
- Pas op dat de punt van het zwaard nergens mee in aanraking komt terwijl de ketting in beweging is.
- Probeer niet twee blokken tegelijk door te zagen. Zaag een blok tegelijk.
- Probeer niet de punt van het zwaard in het hout te begraven (boren in hout met de punt van de zaag).
- Wees bedacht op bewegende takken of andere krachten die de zaagsnede kunnen dichtknijpen of met de ketting in aanraking kunnen komen.
- Ga zeer voorzichtig te werk wanneer u verder gaat zagen in een eerder gemaakte zaagsnede.
- Gebruik alleen de ketting en de kettinggeleider (6) met lage terugslag die bij deze kettingzaag zijn geleverd.
- Werk nooit met een losse, verslachte of sterk versleten zaagketting. Let op de juiste kettingspanning.

De zaag veilig gebruiken

1. Gebruik de kettingzaag alleen met een veilig

steunpunt.

2. Houd de kettingzaag aan de rechterkant van uw lichaam (Zie afb. L).
3. De ketting (7) moet op volle snelheid lopen voordat het met het hout in contact mag komen.
4. Gebruik de bumperpunten (13) om de zaag op het hout te beveiligen voordat u begint te zagen.
5. Gebruik de bumperpunten als hefboom tijdens het zagen. (Zie afb. M)
6. Bedien de kettingzaag niet met volledig gestrekte armen, probeer geen gebieden te zagen die moeilijk te bereiken zijn of ga niet op een ladder staan tijdens het zagen (Zie afb. N).

Gebruik nooit de motorzaag nooit boven schouderhoogte.

ZAGEN VAN HOUT ONDER SPANNING (Zie afb. O)



WAARSCHUWING: Houd er bij het afzagen van een onder spanning staande tak rekening mee dat deze terugveert.

Als de spanning in de houtvezels vrijkomt, kan de gespannen tak de bediener raken, of kan deze de bediener de controle over de kettingzaag doen verliezen.

Wanneer hout aan beide zijden wordt ondersteund, eerst van boven (Y) een derde gedeelte van de diameter (overbuck) door de stam zagen en vervolgens van onderen (Z) op dezelfde plaats de stam doorzagen om splinteren en vastklemmen van de zaag te voorkomen. Voorkom daarbij contact van de zaagketting met de grond. Wanneer hout slechts aan één zijde wordt ondersteund, eerst van onderen (Y) een derde van de diameter (schraag) naar boven zagen en vervolgens op dezelfde plaats van boven (Z) de stam doorzagen om splinteren en vastklemmen van de zaag te voorkomen.

DE STOKZAAG GEBRUIKEN (ALLEEN VOOR WG323E, WG323E.9)

Zagen met schouderriem (Zie afb. P1)

De verlengstok is voorzien van een schouderriem om extra steun te geven als u de kettingzaag in de lucht houdt. Haak de schouderriem aan de verlengstok en wikkel hem om uw schouder. De schouderriem kan bovendien de impact verminderen als de zaag valt na het voltooiën van een snede.

Met het verlengstuk zagen

1. Installeer de batterijdoos in de machine.
2. Voordat u een hoge tak zaagt, let u op alle punten die zijn beschreven in de vorige paragraaf "Takken zagen". Let vooral op de richting waarin een tak kan vallen.



WAARSCHUWING: Ga niet direct onder de tak staan die u afzaagt. Houd omstanders uit de buurt. Ga niet op een lader of een andere onstabiele ondergrond staan als u de machine gebruikt. Gebruik de machine niet bij kabels voor telefoon of elektriciteit. Houd minstens 3 meter (10 voeten) afstand tot kabels. (Zie afb. P2-P5)

3. Houd de zaag met beide handen stevig vast.

Gebruik alleen de daarvoor bedoelde grepen als u de stokzaag gebruikt (Zie afb. P6). Gebruik een stevige greep. Omsluit de grepen altijd met duim en vingers.

- Zorg dat u een stabiele positie aanneemt. Zet de voeten op schouderbreedte uit elkaar. Verdeel uw gewicht gelijkmatig over beide voeten.
- Wanneer u klaar bent om te zagen, duwt u de ontgrendelingsknop (3) volledig naar, druk dan volledig de aan-/uitschakelaar (31) in (Zie afb. P7). Hierdoor wordt de zaag ingeschakeld. Als u de starter loslaat, wordt de zaag uitgeschakeld. Controleer of de zaag op volle snelheid werkt voordat u het zagen start.
- Wanneer u begint te zagen, plaatst u de bewegende ketting langzaam tegen het hout. Houd de zaag stevig op zijn plaats om mogelijk stuiteren of glijden (zijdelingse beweging) van de zaag te voorkomen.
- Geleid de zaag met lichte druk en oefen geen overmatige kracht uit op de zaag. De motor wordt overbelast en kan doorbranden. Hierdoor doet de zaag zijn werk beter en veiliger aan de snelheid waarvoor deze was bedoeld.
- Verwijder de zaag uit een inkeping terwijl de zaag op volle snelheid werkt. Stop de zaag door de aan/uit-schakelaar los te laten. Controleer of de zaag is gestopt voordat u de zaag neerzet.

EEN BOOM MET DE ZAAG BEWERKEN (SNOEIEN)



WAARSCHUWING: Voorkom terugslag. Terugslag kan ernstig letsel of de dood tot gevolg hebben.

Zie Terugslag om het risico op terugslag te voorkomen.

WAARSCHUWING: Gebruik de stokzaag niet

- in een boom
 - op een ladder of een ander instabiel oppervlak
 - in welke moeilijke positie dan ook
- De stokzaag kan onhandelbaar worden met ernstige verwondingen als gevolg.**



WAARSCHUWING: Strek uw armen niet tot boven de schouders als u de stokzaag gebruikt.

VOORZICHTIG: Zoek professionele hulp als u in omstandigheden bent die uw vermogens te boven gaan.

Een boom snoeien betreft het proces waarbij takken van een levende boom worden gesnoeid. Zorg dat u een stabiele positie aanneemt. Zet de voeten op schouderbreedte uit elkaar. Verdeel uw gewicht gelijkmatig over beide voeten.

Volg onderstaande aanwijzingen om een boom te snoeien.

- Maak de eerste snede 15cm vanaf de boomstam aan de onderzijde van de tak. Gebruik de bovenzijde van de geleidingsstang om deze snede te maken. Zaag door 1/3 deel van de diameter van de tak (zie afb. P8).
- Beweeg 5 tot 10cm verder op de tak. Maak een

tweede snede vanaf de bovenkant van de tak. Zaag verder, totdat u de tak afgezaagd hebt.

- Maak een derde snede zo dicht mogelijk bij de boomstam aan de onderzijde van de takstomp. Gebruik de bovenkant van de geleidingsstang om deze snede te kunnen maken. Zaag door 1/3 deel van de diameter van de stomp.
- Maak direct boven de derde snede een vierde snede. Zaag naar beneden tot u de derde snede bereikt heeft. Zo verwijdert u de takstomp.

ZAAG ONDERHOUD

Let op de onderhoudsinstructies in deze handleiding. De kans op terugslag wordt verminderd door de zaag en de ketting en het zwaard goed schoon te maken en te onderhouden. Inspecteer en onderhoud de zaag steeds na gebruik. Hiermee verhoogt u de levensduur van de kettingzaag.

OPMERKING: Zelfs als de zaag goed geslepen wordt, kan de kans op terugslag met het slijpen groter worden.

ONDERHOUD EN OPSLAG VAN DE KETTINGZAAG

1. Verwijder de batterij uit de zaag

- Als hij niet in gebruik is
- Voordat u van de ene plaats naar de andere gaat
- Bij reparaties
- Voordat U accessoires of hulpstukken verwisselt, zoals de Zaagketting of het Zaagblad.

2. Inspecteer de zaag voor en na gebruik.

Controleer de zaag nauwkeurig als de beschermkap of een ander onderdeel is beschadigd. Controleer op schade die de veiligheid van de gebruikers of de werking van de zaag kan beïnvloeden. Controleer de uitlijning of verbinding van bewegende delen. Controleer op gebroken of beschadigde onderdelen. Gebruik de kettingzaag niet als de schade de veiligheid of werking beïnvloedt. Laat schade herstellen door een erkend onderhoudscentrum. Ga naar www.worx.com om een bevoegd onderhoudscentrum te vinden.

3. Onderhoud de kettingzaag met zorg.

- Stel de zaag nooit bloot aan regen.
- Houd de ketting scherp, schoon en gesmeerd voor een betere en veilige prestatie.
- Volg de stappen in deze handleiding om de ketting te smeren.
- Houd de handgrepen droog, schoon en vrij van olie en vet.
- Zorg ervoor dat alle schroeven en moeren vastzitten.

4. Laat uw elektrisch gereedschap repareren door een bevoegde reparateur die alleen originele reserveonderdelen gebruikt.

5. Berg de kettingzaag altijd op wanneer u deze niet gebruikt.

- Op een hoge, afgesloten plaats, buiten bereik van kinderen
- Op een droge plaats
- Met afscherming voor staaf en ketting (9) gemonteerd

Onderhoud van de geleider

Voor een maximale levensduur van de geleider is het volgende onderhoud aanbevolen.

De geleiderrails die de ketting dragen moeten worden schoongemaakt voordat u het gereedschap opbergt of als de geleider of ketting vuil lijken.

De rails moeten elke keer wanneer de ketting wordt verwijderd, worden gereinigd.

De geleiderrails reinigen:

1. Verwijder de kettingafdekking en de geleider en ketting. (Zie sectie ASSEMBLAGE)
2. Gebruik een draadborstel, schroevendraaier of een soortgelijk geschikt gereedschap, verwijderd u de resten van de rails van de geleider. (Zie afb. Q)
3. Zorg dat u alle oliedoorgangen grondig reinigt

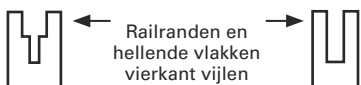
Omstandigheden die onderhoud van ketting (7) en geleiderstaaf (6) vereisen:

- De zaag zaagt aan één zijde of in een hoek.
- De zaag moet door de inkeping worden geforceerd.
- Onvoldoende toevoer van olie naar de geleider en ketting.

Controleer de toestand van de geleiderstaaf telkens wanneer de ketting wordt geslepen. Een versleten geleiderbalk zal de ketting beschadigen en het zagen moeilijk maken.

Na elk gebruik moet u al het zaagstof van de geleiderstaaf en de geleideopening verwijderen terwijl het gereedschap is losgekoppeld van de voedingsbron.

Wanneer de bovenkant van de rail oneffen is, gebruikt u een platte vijl om vierkante randen en zijkantten te herstellen.



Versleten groef

Correcte groef

Vervang de geleiderbalk wanneer de groef versleten is, de geleiderstaaf gebogen of gebast is of wanneer een overmatige verhitte of afbraming van de rails optreedt. Als vervanging nodig is, mag u alleen de geleiderstaaf gebruiken die in de lijst met reparatieonderdelen of op het transferplaatje op de kettingzaag is opgegeven.

Zaagketting en zwaard vervangen of keren

Vervang de ketting als de snijkanten te ver versleten zijn om nog geslepen te kunnen worden en als de ketting breekt. Gebruik uitsluitend de vervangingsketting die genoemd is in deze handleiding.

Inspecteer het zwaard voor u de ketting slijpt. Een

versleten of beschadigd zwaard is onveilig en maakt het zagen moeilijker.

Monteer daarna een nieuw zwaard en draai de schroef (23) weer rechtsom. Het uitsteeksel moet passen in het gat van het zwaard. (Zie afb. R)

Slijpen van de zaagketting



WAARSCHUWING: Verwijder de batterij uit de zaag vooraleer te herstellen.

Ernstige verwondingen en de dood kunnen resulteren door elektrische schokken of doordat het lichaam in contact komt met de bewegende ketting.

De snijranden van de zaagketting zijn scherp. Gebruik handschoenen als u de ketting hanteert.

Houd snijdend gereedschap schoon en scherp. De zaag werkt dan sneller en veiliger. Een botte zaag veroorzaakt ontijdige slijtage aan het tandwiel, het zwaard, de ketting en de motor. Als u de zaag met kracht in het hout moet duwen, terwijl er alleen zaagsel wordt geproduceerd en geen grote brokken, dan is de zaag bot.

SMEER DE TANDWIELEN



WAARSCHUWING: Draag zware handschoenen wanneer u onderhoud of reparaties aan dit gereedschap uitvoert.

Verwijder altijd de batterijdoos uit de zaag voordat u begint met het repareren of onderhouden van dit gereedschap.

OPMERKING: Het is niet nodig de ketting of het zwaard te verwijderen om het tandwiel te smeren

1. Maak het zwaard en het tandwiel schoon.
2. Gebruik een smeerpistool. Steek de punt van het pistool in de smeeropening en spuit er vet in tot het er aan de buitenkant van het tandwiel uitkomt. (Zie afb. S)
3. Om het tandwiel te draaien trekt u met de hand aan de ketting tot de ongesmeerde kant van het tandwiel bij de smeeropening is. Herhaal de procedure.

BESCHERMING VAN HET MILIEU



Afgedankte elektrische producten mogen niet bij het normale huisafval terechtkomen.

Breng deze producten waar mogelijk naar een recyclecentrum bij u in de buurt. Vraag de verkoper of de gemeente informatie en advies over het recyclen van elektrische apparatuur.

PROBLEMEN OPLOSSEN

Als het elektrische gereedschap niet goed werkt, vindt u in de volgende tabel informatie over foutsymptomen, mogelijke oorzaken en oplossingen. Neem contact op met een servicewerkplaats als

u hiermee het probleem niet kunt verhelpen. **LET OP: Schakel het elektrische gereedschap uit en verwijder de accu voordat u het gereedschap op storingen onderzoekt.**

Symptoom	Mogelijke oorzaak	Oplossing
De kettingzaag werkt niet.	De batterij is leeg. Zekering defect.	Laad de batterij op. Vervang de zekering.
Kettingzaag werkt met onderbrekingen.	Oververhitting Te hard drukken tijdens het zagen. Loszittende verbinding. Intern los contact. Aan/uit-schakelaar defect.	Plaats de machine op een koele, geventileerd ruimte om af te koelen. Gebruik minder drukkracht bij het zagen. Contact op met een servicewerkplaats. Contact op met een servicewerkplaats. Contact op met een servicewerkplaats.
Zaagketting droog	Geen olie in de olietank. Ontluchting in olietankdop verstopt. Olieafvoerkanaal verstopt.	Vul olie bij. Reinig de olietankdop. Maak het olieafvoerkanaal vrij.
Ketting of geleidingsraal heet	Geen olie in de olietank. Ontluchting in olietankdop verstopt. Olieafvoerkanaal verstopt. Kettingsspanning te hoog. Ketting bot.	Vul olie bij. Reinig de olietankdop. Maak het olieafvoerkanaal vrij. Stel de kettingspanning in. Slijp de ketting of vervang deze.
Kettingzaag trekt, trilt of zaagt niet goed.	Kettingsspanning te los. Ketting bot. Ketting versleten. Zaagtanden wijzen in de verkeerde richting.	Stel de kettingspanning in. Slijp de ketting of vervang deze. Vervang de ketting. Monteer de zaagketting opnieuw met de tanden in de juiste richting.

CONFORMITEITVERKLARING

Wij,
Positec Germany GmbH
Grüner Weg 10, 50825 Cologne, Germany

Verklaren dat het product,
Beschrijving **Kettingzaag en stokzaag op accu**
Type **WG322E WG322E.9 WG323E**
WG323E.9 (3 - benoeming van machine, vertegenwoordiger van kettingzaag en stokzaag)
Functie **Hout zagen**

Voldoet aan de volgende richtlijnen,
2006/42/EC **2014/30/EU**
2011/65/EU
2000/14/EC gewijzigd door 2005/88/EC

De betrokken aangemelde instantie
Naam: Intertek Deutschland GmbH
(aangemelde instantie 0905)
Adres: Stangenstraße 1, 70771 LEINFELDEN-ECHESTERDINGEN
Certificaatnr.: 17SHW1086-01 (WG322E WG322E.9) 17SHW1166-01 (WG323E WG323E.9)

WG322E WG322E.9
2000/14/EC gewijzigd door 2005/88/EC:
- Procedure beoordeling conformiteit volgens **Annex V**
- Niveau gemeten geluidsvermogen **94.7 dB(A)**
- Opgegeven, gegarandeerde niveau geluidsvermogen **96 dB(A)**

WG323E WG323E.9

2000/14/EC gewijzigd door 2005/88/EC:
- Procedure beoordeling conformiteit volgens **Annex V**
- Niveau gemeten geluidsvermogen **95.2 dB(A)**
- Opgegeven, gegarandeerde niveau geluidsvermogen **96 dB(A)**

Normen voldoen aan,
EN 60745-1 **EN 60745-2-13**
EN ISO 3744 **EN 55014-1**
EN 55014-2
Onderdelen van EN ISO11680-1

De persoon die bevoegd is om het technische bestand te compileren,
Naam: Marcel Filz
Adres: Positec Germany GmbH, Grüner Weg 10, 50825 Cologne, Germany




2018/03/09
Allen Ding
Plaatsvervangend Chief Ingenieur, Testen en Certificering
Positec Technology (China) Co., Ltd.
18, Dongwang Road, Suzhou Industrial Park, Jiangsu 215123, P. R. China

OGÓLNE OSTRZEŻENIA DOTYCZĄCE BEZPIECZEŃSTWA PODCZAS PRACY Z ELEKTRONARZĘDZIAMI



UWAGA: Należy przeczytać wszystkie przepisy. Błędy w przestrzeganiu następujących przepisów mogą spowodować porażenie prądem, pożar i/lub ciężkie obrażenia ciała.

Należy dobrze przechowywać te przepisy.

Użyte w dalszej części pojęcie „elektronarzędzie” odnosi się do elektronarzędzi napędzanych prądem (z kablem zasilającym) i do elektronarzędzi napędzanych akumulatorami (bez kabla zasilającego).

1. MIEJSCE PRACY

- a) **Miejsce pracy należy utrzymywać w czystości i dobrze oświetlone.** Nieporządek i nie oświetlane zakresy pracy mogą doprowadzić do wypadków.
- b) **Nie należy pracować tym narzędziem w otoczeniu zagrożonym wybuchem, w którym znajdują się np. łatwopalne ciecze, gazy lub pyły.** Elektronarzędzia wywołują iskry, które mogą podpalić ten pył lub parę.
- c) **Elektronarzędzie trzymać podczas pracy z daleka od dzieci i innych osób.** Przy odwróceniu uwagi można stracić kontrolę nad narzędziem.

2. BEZPIECZEŃSTWO ELEKTRYCZNE

- a) **Wtyczka urządzenia musi pasować do gniazda. Nie wolno zmieniać wtyczki w jakikolwiek sposób. Nie należy używać wtyczek adapterowych razem z uziemionymi narzędziami.** Niezmiennione wtyczki i pasujące gniazda zmniejszają ryzyko porażenia prądem.
- b) **Należy unikać kontaktu z uziemionymi powierzchniami jak rury, grzejniki, piece i lodówki.** Istnieje zwiększone ryzyko porażenia prądem, gdy Państwa ciało jest uziemione.
- c) **Urządzenie należy trzymać zabezpieczone przed deszczem i wilgocią.** Wniknięcie wody do elektronarzędzia podwyższa ryzyko porażenia prądem.
- d) **Nigdy nie należy używać kabla do innych czynności. Nigdy nie używać kabla do noszenia urządzenia za kabel, zawieszenia lub do wyciągania wtyczki z gniazda. Kabel należy trzymać z daleka od wysokich temperatur, oleju; ostrych krawędzi lub ruchomych części urządzenia.** Uszkodzone lub poplątane kable zwiększają ryzyko porażenia prądem.
- e) **W przypadku, że elektronarzędziem pracuje się na świeżym powietrzu należy używać kabla przedłużającego, który dopuszczony jest do używania na zewnątrz.** Użycie dopuszczonego do używania na

zewnątrz kabla przedłużającego zmniejsza ryzyko porażenia prądem.

- f) **Jeśli nie można uniknąć posługiwania się elektronarzędziem w miejscu o dużej wilgotności należy użyć zabezpieczonego zasilacza domowego (RCD).** Stosowanie RCD zmniejsza ryzyko porażenia prądem elektrycznym.

3. BEZPIECZEŃSTWO OSÓB

- a) **Należy być uważnym, zważać na to co się robi i pracę elektronarzędziem rozpocząć z rozsądkiem. Nie należy używać urządzenia gdy jest się zmęczonym lub pod wpływem narkotyków, alkoholu lub leków.** Moment nieuwagi przy użyciu urządzenia może doprowadzić do poważnych obrażeń ciała.
 - b) **Należy nosić osobiste wyposażenie ochronne i zawsze okulary ochronne.** Noszenie osobistego wyposażenia ochronnego jak maska przeciwpyłowa, nie ślizgające się buty robocze, hełm ochronny lub ochrona słuchu, w zależności od rodzaju i użycia elektronarzędzia zmniejsza ryzyko obrażeń ciała.
 - c) **Należy zapobiec przypadkowemu uruchomieniu. Przed podłączeniem do sieci zasilającej i/lub zestawu baterii, podniesieniem urządzenia należy sprawdzić, czy przełącznik znajduje się w pozycji wyłączenia.** W przypadku, że przy noszeniu urządzenia trzyma się palec na włączniku/wyłączniku lub włączone urządzenie podłączone zostanie do prądu, to może to doprowadzić do wypadków.
 - d) **Zanim urządzenie zostanie włączone należy usunąć narzędzia nastawcze lub klucze.** Narzędzie lub klucz, które znajdują się w ruchomych częściach urządzenia mogą doprowadzić do obrażeń ciała.
 - e) **Nie należy przeceniać swoich możliwości. Należy dbać o bezpieczną pozycję pracy i zawsze utrzymywać równowagę.** Przez to możliwa jest lepsza kontrola urządzenia w nieprzewidzianych sytuacjach.
 - f) **Należy nosić odpowiednie ubranie. Nie należy nosić luźnego ubrania lub biżuterii. Włosy, ubranie i rękawice należy trzymać z daleka od ruchomych części.** Luźne ubranie, biżuteria lub długie włosy mogą zostać ujęte przez poruszające się części.
 - g) **W przypadku, że możliwe jest zamontowanie urządzeń odsysających lub podchwytyjących należy upewnić się, czy są one właściwie podłączone i prawidłowo użyte.** Użycie tych urządzeń zmniejsza zagrożenie spowodowane pyłami.
- ## 4. STARANNE OBOWIĄZANIE ORAZ UŻYCIĘ ELEKTRONARZĘDZI
- a) **Nie należy przeciążać urządzenia. Do pracy używać należy elektronarzędzia, które jest do tego przewidziane.** Odpowiednim narzędziem pracuje się lepiej i bezpieczniej w podanym zakresie sprawności.

- b) **Nie należy używać elektronarzędzia, którego włącznik/wyłącznik jest uszkodzony.** Elektronarzędzie, którego nie można włączyć lub wyłączyć jest niebezpieczne i musi zostać naprawione.
- c) **Należy odłączyć wtykę od źródła zasilania i/lub zestawu baterii, przed wykonaniem jakichkolwiek regulacji, zmiany akcesoriów lub podczas przechowywania elektronarzędzi.** Ten środek ostrożności zapobiega niezamierzonemu włączeniu się urządzenia.
- d) **Nie używane elektronarzędzia należy przechowywać poza zasięgiem dzieci. Nie należy dać narzędzia do użytku osobom, które jego nie znają lub nie przeczytały tych przepisów.** Używane przez niedoświadczonych osoby elektronarzędzia są niebezpieczne.
- e) **Urządzenie należy pieczołowicie pielęgnować. Należy kontrolować, czy ruchome części urządzenia funkcjonują bez zarzutu i nie są zablokowane, czy części nie są pęknięte lub uszkodzone, co mogłoby mieć wpływ na prawidłowe funkcjonowanie urządzenia. Uszkodzone części należy przed użyciem urządzenia oddać do naprawy.** Wiele wypadków spowodowanych jest przez niewłaściwą konserwację elektronarzędzi.
- f) **Narzędzia tnące należy utrzymywać ostre i czyste.** Starannie pielęgnowane narzędzia tnące z ostrymi krawędziami tnącymi zablokują się rzadziej i łatwiej się je prowadzi.
- g) **Elektronarzędzia, osprzęt, narzędzia itd. należy używać odpowiednio do tych przepisów i tak, jak jest to przewidziane dla tego specjalnego typu urządzenia. Uwzględnić należy przy tym warunki pracy i czynność do wykonania.** Użycie elektronarzędzi do innych niż przewidziane prace może doprowadzić do niebezpiecznych sytuacji.

5. STARANNE UŻYTKOWANIE ELEKTRONARZĘDZI NAPĘDZANYCH AKUMULATORAMI

- a) **Akumulatory należy ładować tylko w ładowarkach, które poleci producent.** Dla ładowarki, która nadaje się do ładowania określonych akumulatorów istnieje niebezpieczeństwo pożaru, gdy użyte zostaną inne akumulatory.
- b) **Do elektronarzędzi należy używać jedynie przewidzianych do tego akumulatorów.** Użycie innych akumulatorów może doprowadzić do obrażeń ciała i niebezpieczeństwa pożaru.
- c) **Nie używamy akumulator należy trzymać z daleka od spinaczy, monet, kluczy, gwoździ, śrub lub innych małych przedmiotów metalowych, które mogłyby spowodować zmostkowanie kontaktów.** Zwarcie pomiędzy kontaktami akumulatora może spowodować oparzenia lub pożar.
- d) **Przy niewłaściwym użyciu możliwe jest wydostanie się cieczy z akumulatora. Należy unikać kontaktu z nią.** Przy

przypadkowym kontakcie splukać wodą. W przypadku, że ciecz dostała się do oczu należy dodatkowo skonsultować się z lekarzem. Ciecz akumulatorowa może doprowadzić do podrażnienia skóry lub oparzeń,

6. SERWIS

- a) **Naprawę urządzenia należy zlecić jedynie kwalifikowanemu fachowcowi i przy użyciu oryginalnych części zamiennych.** To gwarantuje, że bezpieczeństwo urządzenia zostanie zachowane.

WSKAZÓWKI DOTYCZĄCE BEZPIECZEŃSTWA PRACY Z PILARKAMI ŁAŃCUCHOWYMI

- Podczas operacji przecinania należy uważać by żadna część ciała nie znalazła się na linii cięcia pilarki łańcuchowej. Przed uruchomieniem piły należy się upewnić, że jej łańcuch nie ma kontaktu z innymi przedmiotami lub podłożem.** Moment nieuwagi podczas pracy z pilarką łańcuchową może spowodować, iż ubranie lub części ciała zostaną uchwycone przez łańcuch.
- Piłę łańcuchową należy mocno trzymać - prawą ręką za tylny uchwyt, a lewą za przedni uchwyt.** Trzymanie piły podczas pracy w innej pozycji zwiększa ryzyko skaleczenia dlatego nie jest dopuszczalne.
- Elektronarzędzie należy obsługiwać, trzymając je wyłącznie za izolowaną rękojęść, gdyż łańcuch może natrafić na ukryte przewody elektryczne.** W wyniku kontaktu łańcucha z przewodem będącym pod napięciem, może dojść do przekazania napięcia na części metalowe elektronarzędzia, co mogłoby spowodować porażenie prądem elektrycznym.
- Należy zawsze stosować okulary ochronne i środki ochrony słuchu. Zaleca się też stosowanie hełmu ochronnego, środków ochronny rąk, nóg i stóp.** Odpowiednia (odporna na przecięcie) odzież ochronna zmniejsza niebezpieczeństwo skaleczenia przez unoszące się w powietrzu opilki, a także zabezpiecza przed przypadkowym zetknięciem się z łańcuchem piły.
- Nie wolno pracować pilarką łańcuchową, siedząc na drzewie.** Praca pilarką łańcuchową na drzewie może być przyczyną ciężkich obrażeń.
- Należy zawsze dbać o stabilną pozycję przy pracy i stosować piłę łańcuchową tylko stojąc na twardym, równym i bezpiecznym podłożu.** Śliskie lub niestabilne podłoże może - w przypadku pracy z użyciem drabiny - doprowadzić do utraty równowagi i kontroli nad piłą łańcuchową.
- Należy zawsze się liczyć z tym, że podczas cięcia naprężona gałąź może**

odskoczyć. Jeżeli naprężenia występujące we włóknach uwolnią się, gałąź może uderzyć operatora pilarki i/lub „wyrwać” pilarkę spod kontroli.

8. **Szczególną ostrożność należy zachować tnąc podszybie i młode drzewa.** Cienki materiał może się zakleszczyć w łańcuchu piły i uderzyć osobę obsługującą, lub doprowadzić do utraty równowagi.
9. **Pilarkę łańcuchową można przenosić jedynie z unieruchomionym łańcuchem; należy trzymać ją za uchwyt przedni prowadnicą skierowaną do tyłu. Na czas transportu i przechowywania narzędzia należy zawsze nakładać osłonę ochronną.** Ostrożne obchodzenie się z pilarką łańcuchową zmniejsza niebezpieczeństwo przypadkowego kontaktu z łańcuchem znajdującym się w ruchu..
10. **Podczas smarowania i naciągania łańcucha oraz wymiany oprzyrządowania należy stosować się do odpowiednich wskazówek.** Nieprawidłowo napięty lub źle nasmarowany łańcuch może ulec zerwaniu albo zwiększyć ryzyko odrzutu..
11. **Uchwyty powinny być zawsze suche, czyste, wolne od smarów i oleju.** Tłuste, ubrudzone smarem rękojeści są śliskie i mogą być przyczyną utraty kontroli nad narzędziem.
12. **Tylko do cięcia drzewa. Pilarka łańcuchowa może być stosowana jedynie do prac, do których została przeznaczona - Przykład: Pilarki łańcuchowej nie należy stosować do cięcia plastyku, muru lub nie-drewnianych materiałów budowlanych.** Niezgodnie z przeznaczeniem użycie pilarki łańcuchowej może doprowadzić do niebezpiecznych sytuacji.

PRZYCZYNY I SPOSOBY UNIKNIĘCIA ODRZUTU:

Zjawisko odrzutu powstaje na skutek zetknięcia się górnej części końcówki prowadnicy z jakimś przedmiotem lub na skutek zakleszczenia się łańcucha pilarki w rzazie spowodowanego wygięciem się przecinanego drewna.

Skutkiem zetknięcia się końcówki prowadnicy z jakimś przedmiotem może w niektórych przypadkach być wystąpienie siły popychającej wywieranej przez piłę łańcuchową do tyłu, mogącej wywołać niekontrolowany ruch prowadnicy do góry w kierunku operatora. Zakleszczenie łańcucha pilarki na krawędzi prowadnicy może doprowadzić do gwałtownego odrzutu prowadnicy w kierunku operatora.

Każda z tych reakcji może doprowadzić do utraty kontroli nad pilarką i stać się przyczyną ciężkich obrażeń.

Nie należy zdywagać się wyłącznie na zabezpieczenia wbudowane do urządzenia. Użytkownik pilarki powinien zastosować różne środki dodatkowe, by praca była wolna od wypadku i obrażeń.

Odrzut jest przyczyną niewłaściwego lub błędnego zastosowania elektronarzędzia. Zapobiec można

mu poprzez zastosowanie odpowiednich środków ostrożności opisanych poniżej:

- **Pilarkę należy trzymać oburącz, przy czym kciuk i pozostałe palce ręki powinny obejmować uchwyty. Ciało i ramiona powinny znajdować się w stabilnej pozycji, tak by wytrzymać ewentualny odrzut.** Stosując odpowiednie kroki/środki osoba obsługująca może zachować odrzuty pod kontrolą. Nigdy nie wolno puszczać włączonej pilarki.
- **Nie należy zajmować nienaturalnej pozycji przy cięciu, a także ciąć pilarką na wysokości powyżej ramion.** Pozwala to uniknąć niezamierzonego kontaktu z górną częścią końcówki prowadnicy i ułatwia zachowanie kontroli nad pilarką w nieoczekiwanych sytuacjach.
- **Należy używać jedynie zalecanych przez producenta części zamiennych (prowadnic i łańcuchów).** Niewłaściwe prowadnice lub łańcuchy mogą stać się przyczyną zerwania łańcucha lub spowodować odrzut..
- **Ostrzeżenie i konserwacja pilarki powinna odbywać się zgodnie z zaleceniami producenta.** Zbyt płytkie ograniczniki głębokości potęgują skłonność do odrzutu.

RYZIKO REZYDUALNE

Nawet używając urządzenia zgodnie z jego przeznaczeniem, zawsze istnieje pewien stopień ryzyka, któremu nie można zapobiec. W zależności od typu i konstrukcji urządzenia mogą pojawić się następujące potencjalne zagrożenia:

- Kontakt z odsłoniętymi zębami łańcucha tnącego (ryzyko ran ciętych)
- Dostęp do rotujących elementów piły łańcuchowej (ryzyko ran ciętych)
- Nieprzewidziany, nagły ruch prowadnicy (ryzyko ran ciętych)
- Odrzut elementów z łańcucha tnącego (ryzyko ran ciętych/ przebicia)
- Odrzut przedmiotów z miejsca cięcia
- Kontakt z olejem
- Utrata słuchu, jeżeli nie będą zastosowane środki ochrony słuchu

OSTRZEŻENIA DLA PIŁY SZCZĘKOWEJ Z RAMIENIEM WYDŁUŻAJĄCYM

1. Zabrania się eksploatacji urządzenia, jeżeli osoba obsługująca jest zmęczona, pod wpływem alkoholu lub środków odurzających.
2. W celu obniżenia ryzyka, zabrania się innym osobom przebywania w bezpośredniej bliskości pracującego urządzenia.
3. Wystrzegać się niebezpiecznych pozycji roboczych, jak również niebezpieczeństwa spowodowanego

spadającymi gałęziami lub gałęziami, które po spadnięciu na ziemię mogą się odbić i zranić obsługę urządzenia. Gałęzie należy usuwać w poszczególnych partiach.

4. Podczas pracy z urządzeniem stać w stabilnej pozycji i utrzymywać równowagę. Urządzenie eksploatować wraz z dostarczonym poprzęgiem.
5. Urządzenie używać z dala od naziemnych linii elektrycznych.

INSTRUKCJA BEZPIECZEŃSTWA DOTYCZĄCA MODUŁU AKUMULATORA

- a) **Nie demontuj, nie otwieraj lub nie niszczy ogniw pomocniczych lub modułu akumulatora.**
- b) **Nie zwieraj ogniw lub modułu akumulatora. Nie przechowuj ogniw lub modułu akumulatora w sposób bezładny w pudle lub szufladzie, gdzie mogą się wzajemnie zewrzeć lub ulec zwarciu przez inne metalowe przedmioty.** Nie używany akumulator należy trzymać z daleka od spinaczy, monet, kluczy, gwoździ, śrub lub innych małych przedmiotów metalowych, które mogłyby spowodować zmostkowanie kontaktów. Zwarcie pomiędzy kontaktami akumulatora może spowodować oparzenia lub pożar.
- c) **Nie narażaj ogniw lub modułu akumulatora na działanie ciepła lub ognia. Unikaj składowania w miejscach pod bezpośrednim działaniem światła słonecznego.**
- d) **Nie narażaj ogniw lub modułu akumulatora na uderzenia mechaniczne.**
- e) **W razie wycieku z ogniw, nie dopuść, aby płyn zetknął się ze skórą lub dostał się do oczu. Jeśli już nastąpił kontakt z płynem, przemyj skażoną powierzchnię dużą ilością wody i zwróć się o pomoc medyczną.**
- f) **Nie używaj ogniw lub modułu akumulatora nie przeznaczonego do pracy z danym urządzeniem.**
- g) **Utrzymuj ogniw i moduł akumulatora w czystości i w stanie suchym.**
- h) **Jeśli zaciski ogniw lub akumulatora zostały zanieczyszczone, oczyść je czystą i suchą szmatką.**
- i) **Ogniw pomocnicze i moduł akumulatora należy przed użyciem naładować. Zawsze używaj właściwej ładowarki i przestrzegaj instrukcji ładowania zawartej w instrukcji obsługi dostarczonej przez producenta urządzenia.**
- j) **Nie pozostawiaj modułu akumulatora na długie ładowanie, jeśli go nie używasz.**
- k) **Po dłuższym okresie składowania może być niezbędne kilkukrotne naładowanie**

i rozładowanie ogniw lub modułu akumulatora, aby uzyskać optymalną wydajność.

- l) **Ogniw pomocnicze oraz moduł akumulatora osiągają największą wydajność podczas pracy w normalnej temperaturze pokojowej (20°C ± 5°C).**
- m) **Podczas utylizacji akumulatorów należy oddzielić od siebie akumulatory o różnych systemach elektromechanicznych.**
- n) **Akumulatory należy ładować tylko w ładowarkach, które poleci producent WORX.** Dla ładowarki, która nadaje się do ładowania określonych akumulatorów istnieje niebezpieczeństwo pożaru, gdy użyte zostaną inne akumulatory.
- o) **Nie używaj ogniw lub modułu akumulatora nie przeznaczonego do pracy z danym urządzeniem.**
- p) **Trzymaj ogniw i moduł akumulatora poza zasięgiem dzieci.**
- q) **Zachowaj oryginalne instrukcje produktu do wglądu.**
- r) **Kiedy to możliwe, wyjmuj moduł akumulatora, jeśli urządzenia się nie używa.**
- s) **Zużyte ogniw i akumulatory utylizuj zgodnie z zasadami gospodarki odpadami.**

ZACHOWAĆ NINIEJSZE INSTRUKCJE

Instrukcje dotyczące prawidłowej techniki podstawowego ścinania drzew, okrzesywania i przerynki pni

1. Ścinanie drzew

Jeżeli równocześnie pracują dwie lub więcej osób, odstęp między osobą przycinającą gałęzie i osobą ścinającą drzewo powinien odpowiadać co najmniej podwójnej wysokości ścinanego drzewa. Podczas ścinania drzew należy zwrócić uwagę, aby nikogo nie zranić, aby nie uszkodzić żadnych kabli zasilających i nie spowodować żadnych strat materialnych. W razie stwierdzenia, że ścinane drzewo miało kontakt z kablem zasilającym, należy niezwłocznie zawiadomić o tym fakcie przedsiębiorstwo energetyczne.

Podczas prac na stokach i zboczach osoba obsługująca piłę powinna znajdować się powyżej ścinanego drzewa, gdyż drzewo po ścięciu stoczy lub ześlizgnie się prawdopodobnie w dół.

Przed rozpoczęciem ścinania drzew należy zaplanować i w razie potrzeby utworzyć drogę ewakuacyjną. Droga ewakuacyjna powinna przebiegać wstecz i poprzecznie w stosunku do tylnego odcinka przewidywanej linii upadku, przedstawionej na Rysunku 1.

Abym właściwie ocenić kierunek padania drzewa, należy przed rozpoczęciem ścinania wziąć pod uwagę pochylenie drzewa i położenie jego konarów, a także kierunek wiatru.

Należy oczyścić drzewo z zanieczyszczeń, usunąć kamienie, luźno zwisającą korę, gwoździe, klamry i drut.

2. Rzaz podcinający

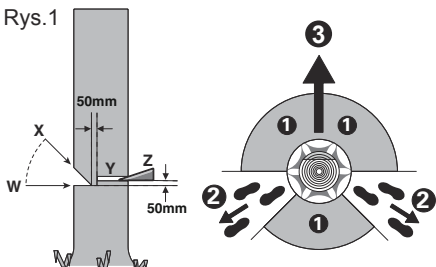
Wykonać nacięcie na 1/3 średnicy drzewa, prostopadle do kierunku upadku przedstawionego na Rysunku 1. Najpierw należy wykonać dolne nacięcie poziome (W). W ten sposób nie dojdzie do zakleszczenia się łańcucha lub prowadnicy podczas wykonywania drugiego nacięcia (X).

3. Rzaz ścinający

Wykonać nacięcie (Y) ścinające przynajmniej 50 mm powyżej nacięcia, zgodnie z Rysunkiem 1. Powinno ono być równoległe do poziomego cięcia. Nie należy wykonywać zbyt głębokiego nacięcia – pomiędzy nacięciami z dwóch stron powinien pozostać nieprzecięty fragment pnia (tzw. przegub), który działać będzie jako zawias. Przegub ma zapobiec przekręceniu się drzewa lub jego upadkowi w niewłaściwym kierunku. Nie przecinać pnia na wylot.

Gdy nacięcie zbliży się do przegubu, drzewo powinno zacząć padać. Gdyby miało się okazać, że drzewo pada w niewłaściwym kierunku albo, że pochyla się do tyłu i blokuje piłę, należy przerwać cięcie i zastosować kliny z drewna, tworzywa sztucznego lub aluminium (Z), w celu otworzenia rzazu i zmiany kierunku padania drzewa (3). Gdy drzewo zacznie się przechylać, należy wysunąć piłę z rzazu, wyłączając ją, odłożyć i opuścić zagrożone miejsce wyznaczoną uprzednio drogą ewakuacyjną (2). Zwrócić uwagę na spadające gałęzie i unikać potknięć. (Patrz Rys. 1)

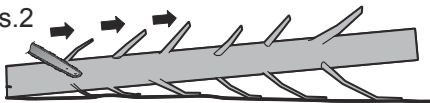
Rys.1



4. Okrzesywanie

Pod tym pojęciem rozumie się odcinanie gałęzi ściętego uprzednio drzewa. Podczas okrzesywania nie należy odcinać większych, skierowanych ku dołowi konarów, które podtrzymują drzewo. Usunąć małe konary jednym cięciem, jak pokazano na Rysunku 2. Naprężone gałęzie należy ciąć od dołu ku górze, by uniknąć zakleszczenia się piły.

Rys.2

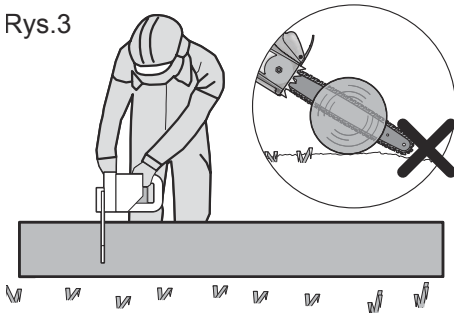


5. Przerzynka pnia

Pod tym pojęciem rozumie się dzielenie ściętego uprzednio drzewa na odcinki. Należy dbać o stabilną pozycję przy pracy i na równomierne rozłożenie wagi ciała na obie stopy. Jeżeli istnieje taka możliwość, należy podeprzeć drzewo konarami, belkami lub klinami. Należy kierować się wskazówkami, ułatwiającymi cięcie. Gdy pień jest podparty na całej długości, jak pokazano

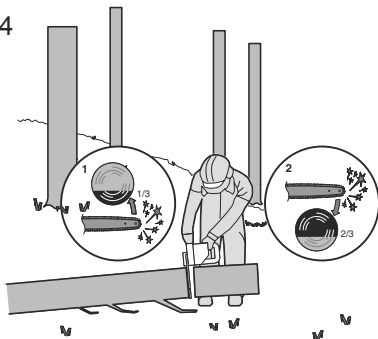
na Rysunku 3, przecina się go od góry (górne cięcie). Podczas tej czynności należy wystrzegać się kontaktu z ziemią, ponieważ wypywa to negatywnie na ostrość łańcucha.

Rys.3



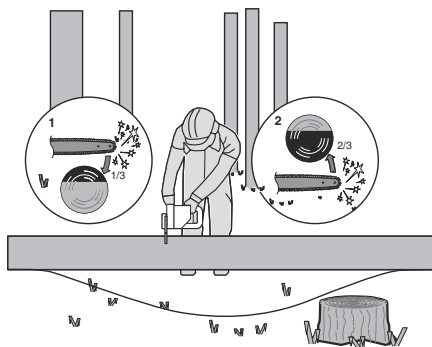
Kiedy jeden koniec pnia jest podparty, jak pokazano na Rysunku 4, należy przeciąć 1/3 średnicy od dołu (1). Następnie należy przeciąć pień do końca, wykonując cięcie od góry do punktu zakończenia cięcia od dołu (2).

Rys.4



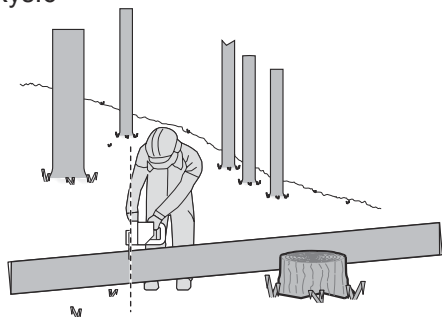
Gdy pień jest podparty na obu końcach, jak pokazano na Rysunku 5, przeciąć na 1/3 średnicy od góry (górne cięcie) (1). Następnie wykonać cięcia końcowe na dolne 2/3 średnicy (2), spotykając pierwsze cięcie.

Rys.5



Przecinając na zbocz, zawsze stać powyżej pnia, jak pokazano na Rysunku 6. Aby zachować pełną kontrolę w momencie „całkowitego przecięcia”, należy pod koniec cięcia zredukować nacisk piłą na drewno, nadal mocno trzymając oba uchwyty narzędzia. Zwrócić uwagę, aby łańcuch nie dotknął podłoża. Po zakończeniu cięcia, odczekać, aż łańcuch zatrzyma się całkowicie i dopiero wtedy wyjąć piłę z rzazu. Przed przejściem od jednego drzewa do drugiego, należy zawsze wyłączać silnik piły łańcuchowej.

Rys.6



SYMBOLE

	Aby zmniejszyć niebezpieczeństwo odniesienia obrażeń, użytkownik powinien przeczytać podręcznik z instrukcjami.
	OSTRZEŻENIE
	Używać ochrony słuchu.
	Używać ochrony wzroku.
	Używać maski przeciwpyłowej.
	Chroń narzędzie przed deszczem
	Stosować ochronę głowy
	Należy zakładać okulary ochronne

	Obuwie ochronne
	Ostrzeżenie odnośnie niebezpieczeństwa wynikającego z naziemnych linii elektrycznych.
	Odpady wyrobów elektrycznych nie powinny być wyrzucane razem z odpadami gospodarstwa domowego. Należy korzystać z recyklingu, jeśli istnieje odpowiednia infrastruktura. Porady dotyczące recyklingu można uzyskać u władz lokalnych lub sprzedawcy detalicznego.
	Li-Ion
	Nie wyrzucać akumulatorów, Oddawać zużyte baterie do odpowiednich punktów zbierania lub recyklingu.
	Nie wrzucać do ognia
	Nie wystawiać na działanie deszczu lub wody
	Należy unikać kontaktu końcówki przewodnicy z jakimkolwiek obiektem.
	Kontakt z końcówką może spowodować nagły ruch przewodnicy w górę i do tyłu, prowadząc do poważnych obrażeń użytkownika.
	Obsługując pilarkę zawsze używać dwóch rąk.
	x1NR18/65-y: Cylindryczne litowo-jonowe ogniwa akumulatorowe o maks. średnicy 18 mm i maks. wysokości 65 mm; „x” oznacza liczbę ogniw połączonych szeregowo, puste gdy 1; „-y” oznacza liczbę ogniw połączonych równolegle, puste gdy 1.


LISTA KOMPONENTÓW

1. TYLNY UCHWYT
2. PRZELĄCZNIK WŁĄCZENIA/WYŁĄCZENIA
3. NASADKA NAPEŁNIANIA OLEJU
4. UCHWYT PRZEDNI
5. OSŁONA RĘKI
6. PROWADNICA
7. ŁAŃCUCH
8. POKRĘTŁO REGULACJI NAPIĘCIA ŁAŃCUCHA
9. PŁYTA POKRYWY
10. ZESTAW BATERII *
11. ZATRZASK POJEMNIKA BATERYJNEGO *
12. OSŁONA TYLNEGO UCHWYTU
13. KOLEC ZDERZAKA
14. WSKAŹNIK POZIOMU OLEJU
15. PRZYCISK WYŁĄCZENIA BLOKADY
16. ZĘBATKA NAPĘDU
17. SYMBOL KIERUNKU PRZESUWU ŁAŃCUCHA
18. WYLOT OLEJU
19. ZACISK PROWADNICY
20. OTWÓR MOCOWANIA PROWADNICY
21. WYPUSTKI UMIEJSCAWIANIA PROWADNICY
22. OSŁONA PROWADNICY /OSŁONA TRANSPORTOWA*(OSŁONA)
23. PŁYTKA NAPINAJĄCA PROWADNICĘ (PATRZ RYS. A)
24. UCHWYT LANCY WYDŁUŻAJĄCEJ*
25. POKRĘTŁO BLOKUJĄCE*
26. DŹWIGNIA ZACISKOWA*
27. WYSIĘGNIK WEWNĘTRZNY*
28. POKRĘTŁO BLOKUJĄCE*
29. WSPORNIK WYSIĘGNIKA*
30. PRZYCISK BLOKADY NA UCHWYCIE WYSIĘGNIKA*
31. WYŁĄCZNIK NA WYSIĘGNIKU*
32. PASEK NA RAMIĘ*

* Nie wszystkie pokazane na ilustracji akcesoria są dostarczane standardowo.

DANE TECHNICZNE

Typ **WG322E WG322E.9 WG323E WG323E.9** (3 - oznaczenie urządzenia, piły łańcuchowej i wydłużenia piły)

	WG322E	WG322E.9	WG323E	WG323E.9
Napięcie	20V  Max**			
Długość prowadnicy	25cm			
Prędkość łańcucha	3.8m/s			
Pojemność zbiornika oleju	130ml			
Podziałka łańcucha	3/8"			
Liczba ogniw łańcucha	40			
Ślad łańcucha	0.043"			
Właściwy typ łańcucha	ES: 3/8.043-40E/ QIRUI : A0(T)-40E/ OREGON: 90PX040G			
Właściwy typ prowadnicy	ES: ES104SDEA041/ QIRUI : PO10-43SR(T) / OREGON: 104MLEA041			
Czas ładowania	5hrs			
Masa (dostarczony łańcuch i prowadnica)	2.8kg	2.4kg	4.6kg	4.2kg

**Napięcie mierzone bez obciążenia. Początkowe napięcie akumulatora osiąga maksymalną wartość 20V. Napięcie nominalne wynosi 18V.

AKCESORIA

113

	WG322E	WG322E.9	WG323E	WG323E.9
Łańcuch	1	1	1	1
Prowadnica	1	1	1	1
Ośłona transportowa	1	1	1	1
Słupek przedłużający (WA0166)	/	/	1	1
Ładowarki (WA3760)	1	/	1	/
Zestaw baterii (WA3551)	1	/	1	/
Pasek na ramię	/	/	1	1

Zaleca się zakup wszystkich akcesoriów w sklepie, gdzie zakupiono narzędzie. Więcej szczegółów można znaleźć w dodatkowym opakowaniu. Personel sklepu może również udzielić pomocy i porad.

Bezprzewodowa piła łańcuchowa PL

DANE DOTYCZĄCE HAŁASU I WIBRACJI

	WG322E WG322E.9	WG323E WG323E.9
Ważone ciśnienie akustyczne	$L_{pA} = 87.9 \text{ dB(A)}$	$L_{pA} = 85.7 \text{ dB(A)}$
Ważona moc akustyczna	$L_{WA} = 96 \text{ dB(A)}$	$L_{WA} = 96 \text{ dB(A)}$

$K_{pA} = 3.0 \text{ dB(A)}$

Używać ochrony słuchu.



INFORMACJE DOTYCZĄCE DRGAŃ

Łączna wartość drgań (suma wektora triax) określona według normy EN 60745:

Wartość przenoszenia wibracji $a_{11} < 2.5 \text{ m/s}^2$	Niepewność $K = 1.5 \text{ m/s}^2$
--	------------------------------------

Zadeklarowana całkowita wartość wibracji może być wykorzystana do porównania jednego narzędzia z innym oraz może być użyta we wstępnej ocenie narażenia

! OSTRZEŻENIE: Wartość emisji wibracji w czasie rzeczywistego używania elektronarzędzia może się różnić od zadeklarowanej, w zależności od sposobu używania narzędzia w następujących przypadkach i innych sposobach używania narzędzia: Jak używane jest narzędzie oraz, czy materiał jest cięty czy wiercony. Czy narzędzie jest w dobrym stanie i czy jest prawidłowo konserwowane. Czy używane są prawidłowe akcesoria narzędzia i czy narzędzie jest właściwie naostrzone oraz w dobrym stanie. Czy dokręcone są szczęki na uchwycie i czy używane są jakiegokolwiek akcesoria antybiracyjne. Oraz, czy narzędzie jest używane zgodnie z przeznaczeniem i według instrukcji.

Nieprawidłowe prowadzenie tego narzędzia może spowodować syndrom wibracji rąk.

! OSTRZEŻENIE: W szczególności, oszacowanie poziomu ekspozycji w rzeczywistych warunkach używania powinno brać także pod uwagę wszystkie elementy cyklu działania, takie jak czasy wyłączenia narzędzia i czas bezczynności, ale nie rzeczywistość wykonywaną pracę. Może to znacznie zmniejszyć poziom ekspozycji w całym okresie pracy. Pomoc w minimalizacji narażenia na wibracje. Należy ZAWSZE używać ostrych dłut, wiertel i ostrzy. Narzędzie należy konserwować z godnie z instrukcjami i

prawidłowo smarować (w odpowiednich miejscach). Jeśli narzędzie jest używane regularnie należy zakupić akcesoria antywibracyjne.

Należy zaplanować harmonogram pracy w celu rozłożenia używania narzędzi wytwarzających wysoki poziom drgań na kilka dni.

UŻYCIĘ ZGODNE Z PRZEZNACZENIEM

Narzędzie przeznaczone jest do ścinania drzew, jak i do piłowania pni, konarów, belek drewnianych, desek itd. i można je używać do cięć przedłużonych i poprzecznie do kierunku przebiegu włókien drewna. To narzędzie nie jest zadane do piłowania materiałów mineralnych.

MONTAŻ

! OSTRZEŻENIE! Zabrania się zainstalowania akumulatora przed jego kompletnym zmontowaniem. Przy obchodzeniu się łańcuchem piły należy zawsze nosić rękawice.

Montaż prowadnicy i łańcucha piły

1. Wszystkie części należy ostrożnie rozpakować.
2. Umieścić piłę łańcuchową na twardym, równym podłożu.
3. Używać wyłącznie oryginalnych łańcuchów WORX lub zalecanych dla prowadnicy łańcucha.
4. Łańcuch piły (7) włożyć w przebiegający na około rowek prowadnicy (6). Upewnić się, że łańcuch jest ułożony w prawidłowym kierunku ruchu, zgodnie z ikoną na prowadnicy lub symbolami ruchu łańcucha (17) znajdujących się na korpusie piły. Należy upewnić się, że płytka napinająca prowadnicę (23) jest skierowana na zewnątrz. (Patrz Rys. A)
5. Należy dopasować łańcuch na kole napędowym (16) w taki sposób, aby śruba mocowania prowadnicy (20) i dwie wypustki umiejscawiania prowadnicy (21) na zacisku prowadnicy (19) wpasować do rowka klinowego otworu na prowadnicy (6). (Patrz Rys. B1, B2)
6. Sprawdź, czy wszystkie części są prawidłowo osadzone. Upewnić się, że połączenia napędu są dokładnie osadzone na kole napędowym (Patrz Rys. C1), unikać załamań, jak pokazano na Rys. C2. Jeśli łańcuch się załamał, uchwycić łańcuch na prowadnicy przez załamaniami i wyciągnąć załamanie.

UWAGA: Łańcuch powinien obracać się swobodnie i bez załamań.

7. Założyć osłonę łańcucha (9) i dokręcić osłonę łańcucha za pomocą pokrętki regulacji napięcia łańcucha (8) w prawo, aż do naciągnięcia. (Patrz Rys. D)

! OSTRZEŻENIE: Łańcuch nie jest jeszcze napięty. Napinanie łańcucha ma zastosowanie zgodnie z opisem w rozdziale „NAPINANIE ŁAŃCUCHA”. W tym momencie łańcuch należy skontrolować w celu upewnienia się, że jest on właściwie napięty.

NAPRĘŻENIE ŁAŃCUCHA PIŁY (PATRZ RYS.

Bezprzewodowa piła łańcuchowa PL

E1, E2)

UWAGA: Nowe łańcuchy pilarki mają tendencję do rozciągania się. Należy przymocować osłonę łańcucha poprzez (7) przekręcanie pokrętle (6) napinania łańcucha w prawą stronę do momentu uzyskania właściwego naciągu.



OSTRZEŻENIE:

- Wyjąć akumulator z narzędzia przed przystąpieniem do regulacji naciągu łańcucha.
 - Krawędzie tnące łańcucha są ostre. Zakładać rękawice ochronne w czasie manipulowania łańcuchem.
 - Należy zawsze sprawdzać napięcie łańcucha. Luźny łańcuch zwiększa ryzyko odbicia. Luźny łańcuch może wyskoczyć z rowka prowadnicy. Może to spowodować obrażenia operatora i uszkodzenie łańcucha. Luźny łańcuch może spowodować szybkie zużycie łańcucha, prowadnicy łańcucha i zębki.
1. Piłę łańcuchową odłożyć na równej powierzchni.
 2. Przekręć pokrętko napinania łańcucha (8) w prawą stronę do momentu uzyskania właściwego naciągu.

UWAGA: Naprężenie jest automatycznie zwiększane, podczas gdy pokrętko regulacji napięcia łańcucha (8) jest odwrócone w kierunku zgodnym z ruchem wskazówek zegara. Mechanizm zapadkowy zapobiega luzowaniu się napięcia łańcucha.

3. Przechył piłę do przodu (Patrz Rys. E1), gdzie końcówka prowadnicy (6) jest popychana do góry. Spowoduje to usunięcie luz łańcucha.
4. Całkowicie dokręć naprężanie łańcucha za pomocą pokrętle (8), obracając go w prawo
5. Za pomocą pokrętle automatycznego naprężania łańcucha skontrolować ustawienie jego naprężenia. Poprawne naprężenie łańcucha oznacza, że pośrodku długości łańcucha (7) można go podnieść na wysokość połowy ogniwa względem prowadnicy (6). W celu wykonania kontroli, należy jedną ręką podnieść maszynę za łańcuch. (Patrz Rys. E2)

UWAGA: Łańcuchem (7) jest odpowiednio naprężony, jeżeli można go wysunąć z prowadnicy (6) a ogniwo znajduje się w szynie prowadnicy (6).

UWAGA: Łańcuch (7) podczas cięcia podlega rozciąganiu i traci prawidłowe naprężenie. Jeżeli pojawił się luz łańcucha, należy całkowicie odkręcić pokrętko (8) do naprężania łańcuch, lub wykonać pokrętkiem (8) trzy pełne obroty w kierunku przeciwnym do ruchu wskazówek zegara, następnie dokręć naprężanie łańcucha za pomocą pokrętle (8). W celu poprawnego zniwelować naprężenia łańcucha należy powtórzyć czynności według kroków 1-4 wymienionych powyżej.

ZAKŁADANIE ŚLUPKA WYDŁUŻAJĄCEGO (tylko dla WG323E, WG323E.9)

Wyrównaj i włóż uchwyty wspornika do wału. Aby zablokować, obróć pokrętko blokujące w prawo. (Patrz Rys. F1, F2)

UWAGA: Upewnij się, że wał jest dobrze zamocowany na swoim miejscu.

INSTALACJA WYSIĘGNIKA W URZĄDZENIU (Patrz Rys. G1)

Krok 1: Wyrównaj i włóż wspornik (29) do piły.
Krok 2: Przekręć pokrętko blokujące (28) w kierunku odwrotnym do ruchu wskazówek zegara w celu dokręcenia wspornika w maszynie..

UWAGA: Przed uruchomieniem należy upewnić się, że wspornik przedłużający jest prawidłowo zablokowany.

USUNIĘCIE WSPORNIKA (Patrz Rys. G2)

Krok 1: Pokrętko blokady (28) przekręć w kierunku zgodnym z ruchem wskazówek zegara, poluzować i wyciągnąć.

Krok 2: Wysunąć piłę, aby wspornik odłączył się od piły.



OSTRZEŻENIE!

• **Podczas używania urządzenia ze wspornikiem, upewnij się, że akumulator został usunięty.**

Regulacja długości wspornika

Wysięgnik piły posiada budowę teleskopową i można go wydłużyć od 2m (całkowicie wsunięty) do 2.7m (całkowicie wysunięty).

Zycisk (26) służy do ustalenia wspornika w dowolnej pozycji.

1. W celu wydłużenia wspornika należy poluzować zacisk zgodnie z Rys. H. Wspornik można lekko wysunąć.
2. Wewnętrzne elementy teleskopowe wysunąć na potrzebną długość. Uwaga: do obcinania glezi stosować minimalną potrzebną długość wpornika.
3. W celu zablokowania wspornika w wymaganej długości, zablokować blokadę według Rys. H.

SMAROWANIE ŁAŃCUCHA



WAŻNE: Piła łańcuchowa nie jest dostarczona z napełnionym olejem adhezyjnym łańcucha piły. Ważne jest napełnienie olejem przed używaniem. Używanie piły łańcuchowej bez oleju adhezyjnego dla łańcucha piły lub przy napełnieniu olejem poniżej znaku minimum prowadzi do uszkodzenia piły łańcuchowej. UWAGA: Czas użytkowania i wydajności cięcia łańcucha zależy od optymalnego smarowania. Dlatego łańcuch piły smarowany jest podczas pracy automatycznie olejem adhezyjnym dla łańcucha piły.

NAPEŁNIENIE ZBIORNIKA OLEJU:



OSTRZEŻENIE: Przed przystąpieniem do uzupełnienia paliwa w zbiorniku należy wyjąć akumulator.

1. Odstaw piłę łańcuchową z zamknięciem zbiornika oleju do góry (3) na zdatnym do tego podkładzie.
2. Oczyszczyć szmatką obręb na okolo zamknięcia zbiornika oleju i odkręcić zamknięcie.
3. Napełnij zbiornik oleju piły łańcuchowej aż do wypełnienia.
4. Nie pozwól, aby do zbiornika oleju dostały się zabrudzenia lub opiłki, założyć nasadkę wlewu oleju (3) i dokręć go całkowicie w prawą stronę.



WAŻNE: by umożliwić wymianę powietrza między zbiornikiem oleju i otoczeniem, między sitem i zakrętką zbiornika umiejscowione są cztery niewielkie kanaliki, przez które, w zależności od rodzaju wykonywanej pracy, mogą występować niewielkie ilości oleju. Proszę zawsze odstawić pilarkę w pozycji poziomej (zakrętką (3) do góry).

Używać należy jedynie zalecany olej rozkładalny biologicznie, aby uniknąć uszkodzenia piły łańcuchowej. (Grade: ISO VG32). Można go zakupić w miejscu zakupu piły lub w lokalnym sklepie z narzędziami. Nie należy używać nigdy oleju po procesie recyklingu lub już zużytego. Przy użyciu niedopuszczonego oleju gwarancja wygasa. Nie polykaj. W przypadku poiknięcia natychmiast skontaktować się z lekarzem. Trzymać poza zasięgiem dzieci. Przechowywać z dala od źródeł ciepła i otwartego ognia.

KONTROLA AUTOMATYCZNEJ SMAROWNICY

Właściwe funkcjonowanie automatycznej smarownicy może być kontrolowane poprzez uruchomienie pilarki łańcuchowej i skierowanie końcówki przewodnicy (6) w kierunku kawałka kartonu lub kartki papieru położonej na ziemi. Jeżeli na kartonie tworzy się większy wzorek oleju, oznacza to, że automatyczna smarownica działa prawidłowo. Jeżeli wzorek oleju nie występuje, pomimo że zbiornik oleju jest pełny, należy skontaktować się z przedstawicielstwem firmy WORX lub autoryzowanym serwisem WORX.



PRZESTROGA: Nie należy dotykać ziemi łańcuchem. Upewnij się, że przeswित bezpieczeństwa wynosi 30 cm.

DZIAŁANIE

1. PRZYGOTOWANIE DO UŻYTKOWANIA NARZĘDZIA BEZPRZEWODOWEGO



OSTRZEŻENIE! Ładowarka oraz akumulatorki są specjalnie zaprojektowane do tego, aby pracowały razem, a więc nie należy usiłować używać innych urządzeń. Nigdy nie należy wkładać ani dopuszczać przedmiotów metalicznych do ładowarki lub pojemnika baterijnego, gdyż może to spowodować uszkodzenie układu elektrycznego i niebezpieczeństwo porażenia prądem.

UWAGA: Akumulatorki są NIENAŁADOWANE i należy je naładować przed użyciem.

Dostarczona ładowarka baterii pasuje do zainstalowanej w urządzeniu baterii litowo-jonowej. Nie należy używać innej ładowarki baterii.

2. ŁADOWANIE AKUMULATORÓW

Bateria litowo-jonowa jest zabezpieczona przed głębokim rozładowaniem. Gdy bateria jest rozładowana, urządzenie jest wyłączane przez obwód zabezpieczający. W miejscach o wysokiej temperaturze lub po

intensywnym używaniu, zestaw baterii może być zbyt gorący, aby przystąpić do jego ładowania. Przed ładowaniem należy zaczekać na jego ochłodzenie.

3. WYJMOWANIE LUB ZAKŁADANIE AKUMULATORÓW (Patrz Rys. I1, I2, I3)

Naciśnij przycisk odłączania akumulatora, aby usunąć akumulator z narzędzia. Po naładowaniu akumulatora wóź go ponownie do gniazda akumulatora (Patrz Rys. G). Zwykle naciśnięcie z niewielką siłą będzie wystarczające, aby usłyszeć kliknięcie. Upewnij się, że akumulator jest solidnie zamocowany.

UWAGA: Podczas usuwania akumulatora przytrzymać go mocno, aby uniknąć upuszczenia i uszkodzeń.

4. Włączanie i wyłączenie (Patrz Rys. J)



OSTRZEŻENIE: Przed przystąpieniem do eksploatacji urządzenia należy skontrolować akumulator. Stosować wyłącznie akumulatorki podane w dziale wyposażenia dodatkowego.

W celu włączenia maszyny, naciśnij przycisk wyłączenia blokady (15), a następnie naciśnij do końca przełącznik włączenia/wyłączenia (2) i przytrzymaj go w tej pozycji. Można teraz zwolnić przycisk wyłączenia blokady. W celu wyłączenia, zwolnij przełącznik włączenia/wyłączenia.

5. CIĘCIE



WAŻNE: Czy został napełniony zbiornik oleju? Sprawdź przed rozpoczęciem i regularnie podczas działania wskaźnik poziomu oleju (14). (Patrz Rys. K1) Dolej oleju, gdy poziom oleju będzie niski. Napełnienie zbiornika oleju wystarcza na około 12 minut cięcia, w zależności od intensywności cięcia i zatrzymania.

Napężenie łańcucha podczas pilowania należy co 10 minut skontrolować.

- 1) Zamontuj akumulator w narzędziu.
- 2) Należy upewnić się, że odcinek przecinanej kłody nie leży na ziemi. To zapewni utrzymywanie łańcucha (7) z dala od ziemi podczas przecinania kłody. Dotykanie ziemi, gdy łańcuch porusza się, jest niebezpieczne oraz może doprowadzić do stępienia łańcucha.
- 3) Aby trzymać pilarkę, należy używać obu rąk. Lewą rękę należy używać do trzymania przedniego uchwytu (4), a prawą rękę do trzymania tylnego uchwytu (1). Należy zapewnić mocny uchwyt. Kciuki i palce należy zacisnąć wokół uchwytów pilarki. (Patrz Rys. K2)
- 4) Upewnij się, że przyjęta pozycja jest solidna. Utrzymuj ramiona z rozstawionymi stopami. Rozłóż masę ciała równo na obie stopy.
- 5) W momencie gotowości wykonania cięcia naciśnij całkowicie przycisk wyłączenia blokady (15) prawym kciukiem i wciśnij spust. Spowoduje to włączenie pilarki. Zwolnienie spustu powoduje wyłączenie pilarki. Przed rozpoczęciem cięcia upewnij się, że pilarka pracuje z maksymalną prędkością.

- 6) Rozpoczynając cięcie, powoli przybliż łańcuch do drewna. Drewno powinno być jak najbliższe piły. Trzymaj pewnie pilarkę, aby uniknąć ewentualnego odbicia pilarki lub ślizgania się (przemieszczania na boki).
- 7) Prowadź pilarkę przy użyciu niewielkiego nacisku i nie stosuj nadmiernej siły, pozwalając piłę na wykonanie jej pracy. Może nastąpić przeciążenie silnika i jego spalanie. Praca zostanie wykonana lepiej i bezpieczniej z prędkością, do jakiej urządzenie jest przeznaczone.
- 8) Wyjmij piłę z cięcia, gdy działa ona z pełną prędkością. Zatrzymaj piłę pozwalając zwolnienie przełącznika Wł./Wył (2). Upewnij się, że łańcuch został zatrzymany przed odłożeniem pilarki.
- 9) Przed przystąpieniem do ostrej pracy należy wykonać cięcia próbne na bezpiecznym miejscu upewniając się, że mogą być one pocięte z łatwością poprzez wykonywanie płynnych ruchów i ze stałą prędkością cięcia

Bezpieczeństwo w przypadku szybkiego ruchu powrotnego

Łańcuch piły przykryty jest osłoną jednak nadal może wystąpić szybki ruch powrotny.

Następujące czynności ograniczą ryzyko wystąpienia szybkiego ruchu powrotnego.

- Za pomocą obu rąk chwycić pracującą piłę. Zastosować mocny uchwyt. Palce muszą obejmować uchwyty piły.
- Wszystkie elementy bezpieczeństwa piły powinny znajdować się na miejscu. Upewnij się, że działają prawidłowo.
- Nie wychylać się zbyt mocno podczas pracy.
- Mocno stać na nogach i cały czas utrzymywać równowagę.
- Stań bliżej lewej strony pilarki. W ten sposób nie będziesz znajdować się w bezpośrednim położeniu łańcucha.
- W czasie ruchu łańcucha piły nie pozwolić, aby nos prowadnicy do czegoś dotykał.
- Nie podejmuj próby przecinania dwóch kłód drewna w tym samym czasie. Jednorazowo przecinaj tylko jedną kłodę.
- Nie zagłębiać nosa prowadnicy ani nie próbować zagłębiać cięcia (wwiercać się w drewno z wykorzystaniem nosa prowadnicy).
- Uważać na przemieszczanie się drewna lub inne siły, które mogą uwiezić łańcuch piły.
- W trakcie wchodzenia do poprzedniego nacięcia zachować szczególną uwagę.
- Używaj tylko łańcucha i prowadnicy (6) o zredukowanej skłonności do odbić, które są dostarczane z tą pilarką łańcuchową.
- Nigdy nie wolno stosować tępego lub luźnego łańcucha piły. Łańcuch piły powinien być ostry i odpowiednio naprężony.

Bezpieczne użytkowanie piły

1. Używaj pilarki łańcuchowej tylko przy utrzymaniu bezpiecznej pozycji.
2. Trzymaj pilarkę po swojej prawej stronie (Patrz Rys. L).
3. Przed zetknięciem pilarki z drewnem łańcuch (7) musi pracować przy pełnej prędkości.

4. Użyć kołców zderzaka (13) do zabezpieczenia piły na drewnie przed rozpoczęciem cięcia.
5. Użyć kołców zderzaka jako punktu dźwigni podczas cięcia. (Patrz Rys. M)
6. Nigdy nie pracować piłą wyciągniętymi rękami. Nie należy próbować pilowania w ciężko dostępnych miejscach lub stojąc na drabinie. Nie pilować nigdy powyżej wysokości ramion (Patrz Rys. N).

Nigdy nie używać piły łańcuchowej powyżej wysokości ramienia.

CIECIE NAPRĘŻONEGO DREWNA (PATRZ RYS. O)



OSTRZEŻENIE: Podczas cięcia naprężonej gałęzi zachować szczególną uwagę. Mieć świadomość możliwości gwałtownego odgięcia gałęzi. Po zredukowaniu naprężenia drewna, gałąź może gwałtownie odskoczyć i spowodować poważne obrażenia lub śmierć operatora.

Podczas cięcia kłód podpartych na obu końcach rozpocząć cięcie od góry (Y) wchodząc około 1/3 średnicy do kłody (górną cięcie), a następnie zakończyć cięcie (Z) od dołu, w celu uniknięcia kontaktu piły szczękowej z podłożem. Podczas cięcia kłód podpartych tylko z jednego końca rozpocząć cięcie od dołu (Y) wchodząc około 1/3 średnicy do kłody (cięcie od dolne) a następnie zakończyć cięcie z góry (Z), w celu uniknięcia rozdzielenia kłody lub zakleszczenia narzędzia.

ZASTOSOWANIE PIŁY ŁAŃCUCHOWEJ (TYLKO DLA WG323E, WG323E.9)

Cięcie z pasekiem na ramieniu (Patrz Rys.P1)

Ślupkę przedłużenia dostarczany jest z pasekiem na ramieniu, który zapewnia dodatkowe podparcie podczas trzymania piły szczękowej. Zaczepić pasek na ramie do słupka przedłużenia i owinać wokół ramienia. Pasek na ramie może również złagodzić uderzenie piły szczękowej puszczanej po zakończeniu cięcia.

Cięcie z zastosowaniem wspornika wydłużającego

1. Zamontuj akumulator w narzędziu.
2. Przed cięciem wysokich gałęzi uwzględnić wszystkie punktu wymienione w poprzednim rozdziale „Przycinanie gałęzi”, ale zwrócić szczególną uwagę na możliwą.




OSTRZEŻENIE: Nigdy nie wolno stać bezpośrednio pod ciętą gałęzią. Utrzymywać z dala osoby postronne. Podczas korzystania z narzędzia nie wolno stać na drabinie lub innej niestabilnej podporze. Nie wolno używać narzędzia w pobliżu przewodów elektrycznych lub linii telegraficznych. Zachować odległość 3 m (10stopa) od linii zasilania. (Patrz Rys. P2-P5)

3. Aby trzymać pilarkę, należy używać obu rąk. Przy pracy z urządzeniem używać uchwytów specjalnie przeznaczonych do tego celu (Patrz Rys. P6). Należy zapewnić mocny uchwyt. Kciuki i palce należy zacisnąć wokół uchwytów pilarki.
4. Upewnij się, że przyjęta pozycja jest solidna. Utrzymuj ramiona z rozstawionymi stopami. Rozłóż masę ciała równo na obie stopy.

5. W momencie gotowości wykonania cięcia naciśnij całkowicie przycisk (30), całkowicie wyciągnij Wyłącznik On/off (31) (Patrz Rys. P7). Spowoduje to włączenie pilarki. Zwolnienie spustu powoduje wyłączenie pilarki. Przed rozpoczęciem cięcia upewnij się, że pilarka pracuje z maksymalną prędkością.
6. Rozpoczynając cięcie, powoli przybliż łańcuch do drewna. Trzymaj pewnie pilarkę, aby uniknąć ewentualnego odbicia pilarki lub ślizgania się (przemieszczania na boki).
7. Prowadź pilarkę przy użyciu niewielkiego nacisku i nie stosuj nadmiernej siły. Może nastąpić przeciążenie silnika i jego spalanie. Praca zostanie wykonana lepiej i bezpieczniejszymi z prędkością, do jakiej urządzenie jest przeznaczone.
8. Wyjmij piłę z cięcia, gdy działa ona z pełną prędkością. Zatrzymaj piłę poprzez zwolnienie przełącznika Wł./Wył. Upewnij się, że łańcuch został zatrzymany przed odłożeniem pilarki.

PRZYCINANIE DRZEW

 **OSTRZEŻENIE: wystrzegać się odrzutu. Odrzut może być przyczyną poważnego zranienia lub śmierci.**

Zapoznaj się z możliwościami odrzutu, aby uniknąć ryzyka.


OSTRZEŻENIE: Nie używać podkoszarki

• na drzewach

• na drabinie lub innej niestabilnej powierzchni

• w jakiegokolwiek niewygodnej pozycji

Może nastąpić utrata kontroli nad urządzeniem, co może być przyczyną poważnego zranienia użytkownika.

 **OSTRZEŻENIE: przy eksploatacji podkoszarki nie podnosić urządzenia ponad wysokość ramion.**

PRZESTROGA: W przypadkach, które przekraczają możliwości użytkownika należy wyszukać pomoc fachowca.

Przycinanie drzewa jest procesem cięcia gałęzi na żywym drzewie. Upewnij się, że przyjęta pozycja jest solidna. Utrzymuj ramiona z rozstawionymi stopami. Rozłóż masę ciała równo na obie stopy. Przy przycinaniu gałęzi należy kierować się następującymi wskazówkami:

1. W pierwszej kolejności należy wykonać cięcie w odległości 15cm od pnia drzewa na dolnej stronie gałęzi. Do wykonania cięcia zastosuj prowadnicę. Cięcie wykonaj do 1/3 średnicy gałęzi (patrz Rys. P8).
2. Piłę przesuń od 5 cm do 10 cm dalej od pnia. Wykonaj drugie cięcie od góry na gałęzi. Cięcie wykonaj do całkowitego obciążenia gałęzi.
3. Wykonaj trzecie cięcie w możliwie najbliższej odległości od pnia drzewa, od dolnej części. Do wykonania cięcia należy zastosować prowadnicę. Make third cut as close to tree trunk as possible on underside of limb stub. Use top of guide bar to make this cut. Cięcie wykonaj do 1/3 średnicy odgałęzienia.
4. Wykonaj czwarte cięcie bezpośrednio nad trzecim

cięciem. Kontynuować w dół do miesiąca trzeciego cięcia. Po czym nastąpi wycięcie odgałęzienia.

KONSERWACJA PIŁY

Przestrzegać zaleceń konserwacji zawartych w niniejszej instrukcji. Właściwe czyszczenie i konserwacja łańcucha piły oraz prowadnicy, jak również całej piły szczętkowej redukuje szanse na wystąpienie szybkiego ruchu powrotnego. Skontrolować i zakonserwować piłę po każdym użyciu. Pozwoli to na wydłużenie trwałości piły. **UWAGA:** Nawet w przypadku prawidłowego ostrzenia, po każdym ostrzeniu rośnie ryzyko wystąpienia szybkiego ruchu powrotnego.

KONSERWACJA I PRZECHOWYWANIE PIŁARKI ŁAŃCUCHOWEJ

1. Wyjąć akumulator z piły:

- Kiedy nie jest używana
- Zanim pilarka zostanie przeniesiona z jednego miejsca do drugiego
- Przed serwisowaniem
- Przed zmianą akcesoriów lub przystawek, takich jak łańcuch piły lub osłona.

2. Skontrolować piłę przed i po każdym użyciu.

Sprawdź dokładnie pilarkę, czy osłona lub inna część nie została uszkodzona. Sprawdź ewentualne uszkodzenia, które mogą wpłynąć na bezpieczeństwo użytkownika lub działanie pilarki. Sprawdź pod kątem dopasowania lub połączenia części ruchomych. Sprawdź pod kątem pękniętych lub uszkodzonych części. Nie używaj pilarki łańcuchowej, jeśli uszkodzenie może wpłynąć na bezpieczeństwo lub działanie narzędzia. Uszkodzone narzędzie należy oddać do naprawy do autoryzowanego punktu serwisowego. Aby wyszukać autoryzowany punkt serwisowy, odwiedź stronę internetową www.worx.com

3. Należy ostrożnie obchodzić się z piłą łańcuchową.

- Nigdy nie wystawiać piły na działanie deszczu lub bezpośredniej wilgoci.
- Łańcuch piły powinien być ostry i czysty oraz nasmarowany w celu zapewnienia bezpieczniejszej pracy.
- Przestrzegać zaleceń niniejszej instrukcji dotyczących ostrzenia łańcucha piły.
- Uchwyty powinny być suche, czyste i pozbawione śladów oleju i smaru.
- Sprawdzić i dokręcić wszystkie nakrętki i śruby.

4. W czasie serwisowania stosować jedynie identyczne części zamienne.

5. Gdy piła łańcuchowa nie jest używana, należy ją odpowiednio przechowywać.

- Na wysokości lub w zamkniętym miejscu niedostępnym dla dzieci.
- W suchym miejscu
- Prowadnica i osłona łańcucha (9) w miejscu.

Konserwacja prowadnicy

Aby zwiększyć żywotność prowadnicy, zalecane jest wykonywanie poniższych czynności konserwacyjnych. Szyny prowadnicy, które utrzymują łańcuch powinny być czyszczone przed składowaniem narzędzia, bądź gdy okaże się, że prowadnica lub łańcuch są zabrudzone. Szyny należy czyścić każdorazowo po zdjęciu łańcucha.

Aby wyczyścić szyny prowadnicy:

1. Zdejmij osłonę łańcucha, odłącz prowadnicę i zdejmij łańcuch (zobacz rozdział MONTAŻ).
2. Przy użyciu szczotki drucianej, śrubokręta lub podobnego narzędzia oczyść szyny prowadnicy z pozostałości. (Patrz Rys. Q)
3. Upewnij się, że kanaliki olejowe są całkowicie wyczyszczone.

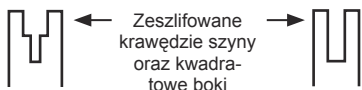
Warunki konserwacji łańcucha (7) i prowadnicy (6):

- Piła tnie jedną stroną lub przy danym kącie.
- Wymagana jest siła, aby wykonać cięcie.
- Nieodpowiednia ilość dostarczanego oleju do prowadnicy i łańcucha.

Sprawdź stan prowadnicy każdorazowo po naostrzeniu łańcucha. Zużyta prowadnica może uszkodzić łańcuch i utrudniać przecinanie.

Po każdym użyciu, gdy urządzenie jest odłączone od źródła zasilania, oczyść prowadnicę i otwór koła napędowego z trocin.

Jeżeli górna część szyny jest nierówna, użyj płaskiego pilnika, aby uzyskać kwadratowe krawędzie i boki.



Rowek wyrobiony

Rowek prawidłowy

Prowadnicę należy wymienić, gdy rowek jest wyrobiony, prowadnica jest wygięta lub pęknięta, bądź pojawi się nadmierne ciepło lub warkot szyn. Jeżeli wymiana jest konieczna, należy stosować tylko prowadnicę wyszczególnioną w wykazie części dla tej pilarki, bądź na nalepce umieszczonej na pilarce łańcuchowej.

Wymiana/odwracanie łańcucha piły i prowadnicy

Łańcuch piły wymienić, kiedy ząbki są zbyt mocno zużyte, aby można było je naostrzyć lub w przypadku zerwania łańcucha. Stosować tylko łańcuch zamienny wymieniony w niniejszej instrukcji.

Przed naostrzeniem łańcucha sprawdzić prowadnicę. Zużyta lub uszkodzona prowadnica nie jest bezpieczna. Zużyta lub uszkodzona prowadnica nie jest bezpieczna, może uszkodzić łańcuch i utrudnić cięcie.

Następnie dopasuj występ napinający (23) do nowej listwy, dokręcając śrubę w kierunku wskazówek zegara. Występ (a) musi być dopasowany do otworu prowadnicy. (Patrz Rys. R)

OSTRZEŻENIE ŁAŃCUCHA PIŁY

OSTRZEŻENIE: Wyjąć akumulator z piły przed jej serwisowaniem. Może dojść do poważnych obrażeń lub śmierci w przypadku porażenia prądem elektrycznym lub kontaktu ciała z poruszającym się

łańcuchem.

Krawędzie tnące łańcucha są ostre. Zakładać rękawice ochronne w czasie manipulowania łańcuchem.

Łańcuch powinien być zawsze ostry. Piła będzie cięła szybciej i bezpieczniej. Tępy łańcuch piły powoduje niepotrzebne zużycie koła łańcuchowego, prowadnicy łańcucha oraz silnika. Jeżeli należy dociskać łańcuch do drzewa i cięcie powoduje tylko powstawanie drobnych wiórów z nielicznymi większymi wiórami, oznacza to, że łańcuch piły jest tępy.

SMAROWANIE KOŁA NAPĘDOWEGO


OSTRZEŻENIE: Podczas wykonywania naprawy lub czynności konserwacyjnych należy przez cały czas nosić okulary ochronne.

Przed wykonywaniem jakichkolwiek prac serwisowych lub konserwacyjnych należy odłączyć akumulator od pilarki.

UWAGA: Nie jest konieczne zdejmowanie łańcucha lub odłączenie prowadnicy w przypadku smarowania koła napędowego.

1. Wyczyść prowadnicę i koło napędowe.
2. Za pomocą smarownicy włóż końcówkę do otworu smarowania i wstrzyknij smar w takiej ilości, aby pojawił się on na zewnętrznej krawędzi koła napędowego. (Patrz Rys. S)
3. Aby obracać kołem napędowym, zwolnij dźwignię zatrzymywania łańcucha i pociągnij ręką łańcuch do momentu, aż nieposmarowana strona koła pokryje się z otworem smarowania. Powtórz procedurę smarowania.

OCHRONA ŚRODOWISKA

 Odpady wyrobów elektrycznych nie powinny być wyrzucane razem z odpadami gospodarstwa domowego. Należy korzystać z recyklingu, jeśli istnieje odpowiednia infrastruktura. Porady dotyczące recyklingu można uzyskać u władz lokalnych lub sprzedawcy detalicznego.

ROZWIĄZYWANIE PROBLEMÓW

W przypadku ewentualnych problemów z funkcjonowaniem elektronarzędzia, w poniższej tabelce znaleźć można różne rodzaje błędów, możliwe ich przyczyny oraz właściwy sposób ich usuwania. Jeżeli za jej pomocą nie uda się zidentyfikować i usunąć usterki, pomocy należy szukać w punkcie serwisowym. **Uwaga: Przed przystąpieniem do lokalizacji usterki należy wyłączyć elektronarzędzie i wyjąć z niego akumulator.**

Objawy	Możliwa przyczyna	Możliwe rozwiązanie
Piła łańcuchowa nie funkcjonuje.	Akumulator wyczerpany. Bezpiecznik uszkodzony.	Wymienić akumulator. Wymienić bezpiecznik.
Piła łańcuchowa pracuje przerywając.	Przegrzanie Użyto zbyt dużo nacisku podczas cięcia. Przerwa w zasilaniu. Wewnętrzny styk chwiejny. Włącznik/wyłącznik zepsuty.	Umieść urządzenie w chłodnym, wietrznym miejscu, aby ją ostudzić. Stosować mniejszy nacisk podczas cięcia. Zwrócić się do autoryzowanego punktu serwisowego. Zwrócić się do autoryzowanego punktu serwisowego. Zwrócić się do autoryzowanego punktu serwisowego.
Łańcuch piły jest suchy.	Brak oleju w zbiorniku. Odpowietrzenie w zamknięciu zbiornika oleju jest zapchane. Kanał wypływu oleju zapchany.	Napełnić olej. Oczyszczyć zamknięcie zbiornika oleju. Zwolnić kanał wypływu oleju.
Łańcuch/szyna prowadnicy gorąca.	Brak oleju w zbiorniku. Odpowietrzenie w zamknięciu zbiornika oleju jest zapchane. Kanał wypływu oleju zapchany. Napężenie łańcucha za mocne. Łańcuch tępy.	Napełnić olej. Oczyszczyć zamknięcie zbiornika oleju. Zwolnić kanał wypływu oleju. Nastawić napężenie łańcucha. Łańcuch naostrzyć lub wymienić.
120 Piła łańcuchowa wrywa, wibruje lub piłuje nie prawidłowo.	Napężenie łańcucha za małe. Łańcuch tępy. Łańcuch zużyty. Zęby piły wskazują w nieprawidłowym kierunku.	Nastawić napężenie łańcucha. Łańcuch naostrzyć lub wymienić. Łańcuch wymienić. Łańcuch piły zamontować na nowo z zębami w prawidłowym kierunku.

DEKLARACJA ZGODNOŚCI

MY,
Positec Germany GmbH
Grüner Weg 10, 50825 Cologne, Germany

Deklarujemy, że produkt,
Opis **Wydłużenie do piły łańcuchowej i piła
łańcuchowa zasilana akumulatorem**
Typ **WG322E WG322E.9 WG323E WG323E.9**
(3 - oznaczenie urządzenia, piły łańcuchowej i
wydłużenia piły)
Funkcja **Praca w lesie**

Jest zgodny z następującymi dyrektywami,
2006/42/EC
2014/30/EU
2011/65/EU
2000/14/EC zmieniona przez 2005/88/EC

Dane jednostki notyfikowanej
Nazwa: Intertek Deutschland GmbH
(jednostka notyfikowana 0905)
**Adres: Stangenstraße 1, 70771 LEINFELDEN-
ECHTERDINGEN**
**Nr certyfikatu: 17SHW1086-01 (WG322E
WG322E.9) 17SHW1166-01 (WG323E
WG323E.9)**

WG322E WG322E.9

2000/14/EC zmieniona przez 2005/88/EC:

- Procedura oceny zgodności zgodna z

Aneks V Dyrektywy

- Moc dźwięku **94.7 dB(A)**

- Deklarowana gwarantowana moc dźwięku **96 dB(A)**

WG323E WG323E.9

2000/14/EC zmieniona przez 2005/88/EC:

- Procedura oceny zgodności zgodna z **Aneks V**

Dyrektywy

- Moc dźwięku **95.2 dB(A)**

- Deklarowana gwarantowana moc dźwięku **96 dB(A)**

Normy są zgodne z:

EN 60745-1

EN 60745-2-13

EN ISO 3744

EN 55014-1

EN 55014-2

Część EN ISO11680-1

Osoba upoważniona do kompilacji pliku technicznego,

Nazwa: Marcel Filz

**Adres: Positec Germany GmbH, Grüner
Weg 10, 50825 Cologne, Germany**



2018/03/09

Allen Ding

Zastępca głównego inżyniera, testowanie i certyfikacja

Positec Technology (China) Co., Ltd.

18, Dongwang Road, Suzhou Industrial

Park, Jiangsu 215123, P. R. China

ELEKTROMOS KÉZISZERSZÁMOK BIZTONSÁGOS HASZNÁLATÁVAL KAPCSOLATOS ÁLTALÁNOS FIGYELMEZTETÉSEK



FIGYELEM Olvasson el minden biztonsági figyelmeztetést és valamennyi utasítást. A figyelmeztetések és utasítások figyelmen kívül hatása áramütést, tüzet és/vagy súlyos sérülést eredményezhet.

Őrizze meg minden figyelmeztetést és utasítást, a jövőben szüksége lehet ezekre. A figyelmeztetésekben használatos "elektromos kéziszerszám" kifejezés az ön hálózatról üzemeltetett (vezetékes) elektromos kéziszerszámára vagy akkumulátoros (vezeték nélküli) elektromos kéziszerszámára vonatkozik.

1. A MUNKATERÜLET BIZTONSÁGA

- a) **A munkaterületet tartsa tisztán és jól megvilágítva.** A zsúfolt vagy sötét munkaterület balesethez vezethet.
- b) **Ne üzemeltessen elektromos kéziszerszámot robbanékony légkörben, például gyúlékony folyadékok, gázok vagy por jelenléte mellett.** Az elektromos kéziszerszámok használata során szikrák keletkeznek, amelyek hatására a por vagy gáz kigyulladhat.
- c) **Elektromos kéziszerszámok működtetése közben tartsa távol a gyermekeket és bármézőkökat.** A figyelem elterelése kontrollvesztést eredményezhet.

2. ELEKTROMOS BIZTONSÁG

- a) **Az elektromos kéziszerszámok dugójának illeszkednie kell a dugaljba.** Soha, semmilyen módon ne módosítsa a dugót. Földelt elektromos kéziszerszámokkal ne használjon adaptert. Ha nem módosított dugókat és megfelelő dugaljat használ, azzal csökkenti az áramütés kockázatát.
- b) **Ne érintse meg a földelt felületeket, például csöveket, radiátorokat, tűzhelyeket vagy hűtőszekrényeket.** Ha a test földelt, nagyobb az áramütés kockázata.
- c) **Ne tegye ki esőnek vagy nedves körülményeknek az elektromos kéziszerszámokat.** Ha egy elektromos kéziszerszámba víz kerül, megnő az áramütés kockázata.
- d) **Vigyázzon a szerszám kábelére. Soha ne hordozza, húzogassa vagy húzza ki az áramból az elektromos kéziszerszámot a kábelnél fogva.** A kábelt tartsa távol a hőtől, olajtól, éles peremektől vagy mozgó részekről. A sérült vagy összegubancolódott kábel növeli az

áramütés kockázatát.

- e) **Ha az elektromos kéziszerszámot szabadterben üzemelteti, használjon külső használatra alkalmas hosszabbítót.** A külső használatra alkalmas kábel használatával csökken az áramütés kockázata.
- f) **Ha elkerülhetetlen, hogy az elektromos kéziszerszámot nedves helyen működtesse, használjon maradékáram-működtetési megszakító (RCD) védelemmel rendelkező áramforrást.** A maradékáram-működtetési megszakító használata csökkenti az áramütés kockázatát.

3. SZEMÉLYI BIZTONSÁG

- a) **Az elektromos kéziszerszám működtetése közben maradjon éber, figyeljen arra, amit csinál, és használja a józan eszt.** Ne működtesse az elektromos kéziszerszámot, ha fáradt, illetve gyógyszerek, alkohol vagy drogok hatása alatt áll. Egy pillanatnyi figyelmetlenség az elektromos kéziszerszámok működtetése közben súlyos sérülésekhez vezethet.
 - b) **Használjon személyi védőfelszereléseket.** Mindig használjon szemvédelmet. A személyi védőfelszerelés, például pormaszk, csúszásmentes biztonsági lábbeli, védősisak vagy szükség esetén hallásvédelem használatával csökkenthető a személyi sérülések kockázata.
 - c) **Kerülje el, hogy a szerszám véletlenül működésbe lépjen.** Mielőtt az elektromos kéziszerszámot áramhoz csatlakoztatná, behelyezné az akkumulátort, felvenné vagy vinné a szerszámot ellenőrizze, hogy a kapcsoló "ki" helyzetbe legyen állítva. Ha a szerszám hordozásakor ujját a kapcsolón tartja, vagy áram alá helyezi a bekapcsolt készüléket, az balesetekhez vezethet.
 - d) **Mielőtt az elektromos kéziszerszámot bekapcsolná, távolítsa el róla minden állítókulcsot.** Ha az elektromos kéziszerszám forgórészein állítókulcs marad, az személyi sérüléshez vezethet.
 - e) **Ne próbáljon túl messzire nyúlni.** Mindig vigyázzon, hogy stabilan álljon, és őrizze meg egyensúlyát. Ez segít, hogy váratlan helyzetekben uralja az elektromos kéziszerszámot.
 - f) **Viseljen megfelelő öltözetet. Ne viseljen bő ruházatot vagy hosszú ékszert.** Haját, ruházatát és kesztyűjét tartsa a mozgó alkatrészekről távol. A bő ruházatot, hosszú ékszert vagy hosszú haját bekapathatják a mozgó elemek.
 - g) **Ha a szerszámhoz porszívó vagy -gyűjtő csatlakoztatható, vigyázzon, hogy ezeket csatlakoztassa és megfelelően használja.** A porgyűjtő használatával csökkenthetőek a porral kapcsolatos kockázatok.
- ## 4. AZ ELEKTROMOS KÉZISZERSZÁM HASZNÁLATA ÉS KARBANTARTÁSA
- a) **Ne erőltesse az elektromos kéziszerszámot.** Mindig megfelelő elektromos kéziszerszámot használjon. Ha a megfelelő elektromos kéziszerszámot használja, azzal a

rendeltetési területén jobban és biztonságosabban elvégezhető a munka.

- b) Ne használja az elektromos kéziszerszámot, ha azt nem lehet kikapcsolni.** Ha egy elektromos kéziszerszám nem szabályozható a kapcsolóval, az veszélyes, és javításra szorul.
- c) Mielőtt a szerszámot beállítaná, tartozékokat cserélné, illetve tároláskor húzza ki a dugót az áramforrásból, és/vagy vegye ki az akkumulátort az elektromos kéziszerszámból.** Ezekkel a megelőző biztonsági intézkedésekkel csökken annak a kockázata, hogy a kéziszerszám véletlenül bekapcsoljon.
- d) Az elektromos kéziszerszámokat használaton kívül tartsa a gyermekektől távol, és ne hagyja, hogy a szerszámot vagy ezeket az utasításokat nem ismerő személyek működtessék azt.** A tapasztalatlan felhasználók kezében az elektromos kéziszerszámok veszélyessé válnak.
- e) Tartsa karban az elektromos kéziszerszámokat.** Ellenőrizze, hogy a mozgó elemek megfelelően helyezkednek-e el és nem szorultak-e be, az alkatrészek épek, és semmilyen más hiba nincs kihatással az elektromos kéziszerszám működésére. Ha sérülést talál, használat előtt javíttassa meg a szerszámot. A nem megfelelően karbantartott elektromos kéziszerszámok sok balesetet okoznak.
- f) A vágószerszámokat tartsa tisztán, és figyeljen, hogy élesek maradjanak.** A megfelelően karbantartott, éles vágószerszámok ritkábban akadnak meg, és egyszerűbben irányíthatóak.
- g) Az elektromos kéziszerszámot, a kiegészítőket és fejeket használja a fenti utasításoknak megfelelően, figyelembe véve a munkakörülményeket és az elvégzendő munkát.** Ha az elektromos kéziszerszámot nem rendeltetésszerűen használja, az veszélyhelyzetet teremthet.

5. AZ AKKUMULÁTOROS KÉZISZERSZÁM HASZNÁLATA ÉS KARBANTARTÁSA

- a) Csak a gyártó által javasolt töltővel töltse fel.** Ha egy adott akkumulátorhoz megfelelő töltőt másikkal használna, az tűzveszélyes lehet.
- b) Az elektromos kéziszerszámokat csak a kijelölt akkumulátorokkal használja.** Ha más akkumulátorokat használ, az sérülés- és tűzveszélyes.
- c) Az akkumulátorokat használaton kívül tartsa a fémtárgyaktól, például gemkapcsoktól, pénzérméktől, kulcsoktól, szögektől, csavaroktól vagy más kis fémtárgyaktól távol, mert ezek összekapcsolhatják a pólusokat.** Az akkumulátor pólusainak rövidzárlata égés- és tűzveszélyes.
- d) Nem megfelelő körülmények között az akkumulátorból folyadék szivárogthat; kerülje az érintkezést ezzel a folyadékkal.** Véletlen érintkezés esetén mossa le vízzel.

Ha a folyadék szembe kerül, mossa ki vízzel, és forduljon orvoshoz. Az akkumulátorból szivárgó folyadék irritációt vagy égési sérülést okozhat.

6. SZERVIZ

- a) Az elektromos kéziszerszámot csak képzett szerelő javíthatja megfelelő cserealkatrészekkel.** Ez biztosítja az elektromos kéziszerszám biztonságos működését.

BIZTONSÁGI ÚTMUTATÓ A LÁNCFŰRÉSZEKHEZ

- 1. A láncfűrész működése közben tartson megfelelő távolságot a fűrészlánctól. A fűrész elindítása előtt győződjön meg arról, hogy a fűrészlánc semmihez sem ér hozzá.** A láncfűrészrel végzett munka során egy pillanatnyi figyelmetlenség ahhoz vezethet hogy a fűrészlánc elkap egy ruhadarabot vagy egy testrészt.
- 2. A láncfűrész a jobb kezével mindig a hátsó fogantyúnál fogva, a bal kezével pedig az első fogantyúnál fogva tartsa.** Ha a láncfűrész fordítva tartja fogva, ez megnöveli a személyi sérülések kockázatát, ezért így dolgozni tilos.
- 3. Az elektromos kéziszerszámot csak a szigetelt fogantyúfelületeknél fogva fogja meg, mivel a fűrészlánc kívülről nem látható, feszültség alatt álló vezetékkel is érintkezésbe kerülhet.** Ha a fűrészlánc egy feszültség alatt álló vezetékhez ér, a berendezés fémrészei szintén feszültség alá kerülhetnek és áramütéshez vezethetnek.
- 4. Viseljen védőeszműveget és fülvédőt. Javasoljuk, hogy a feje, keze és lába védelmére további védőfelszerelést használjon.** A megfelelő védőruházat csökkenti a kirepülő forgács és a fűrészlánc véletlen megérintése következtében fellépő balesetek veszélyét.
- 5. Ne dolgozzon egy fán elhelyezkedve a láncfűrészrel.** Ha a láncfűrész egy fára felmászva üzemelteti, balesetveszély áll fenn.
- 6. Ügyeljen mindig arra, hogy jól kiegyensúlyozott helyzetben álljon, és a láncfűrész csak szilárd, biztonságos és sík alapon állva használja.** A csúszós talaj vagy egy labilis alap, például egy létra könnyen vezethet ahhoz, hogy a kezelő elveszti az egyensúlyát vagy az uralmát a láncfűrész felett.
- 7. Egy mechanikai feszültség alatt álló ág fűrészelőkor számítson arra, hogy az ág visszarugózhat.** Amikor a farostokban meglévő feszültség kiszabadul, a feszes ág eltárolhatja a kezelő személyt és/vagy kiránthatja a láncfűrész a kezelő kezéből.
- 8. Különösen bokrok és fiatalabb fák fűrészlésekor legyen igen-igen óvatos.** A vékony anyag beleakadhat a fűrészláncba és hozzácsapódhat Önhöz, vagy kibillentheti Önt az egyensúlyi helyzetéből.
- 9. A láncfűrész kikapcsolt állapotban az**

első fogantyúnál fogva olyan helyzetben tartsa, hogy a fűrészlánc a testétől elfordult helyzetben legyen. A láncfűrész szállításához vagy tárolásához mindig húzza fel arra a védőborítást. A láncfűrész gondos kezelése csökkenti a mozgásban lévő fűrészlánc véletlen megérintésének valószínűségét.

- 10. Tartsa be a kenésre, a lánc megfeszítésére és a tartozékok kicserélésére vonatkozó előírásokat.** Egy szakszerűtlenül megfeszített vagy megkent lánc elszakadhat, vagy megnövelheti a visszarugás kockázatát.
- 11. A berendezés fogantyúit tartsa száraz, tiszta, olaj- és zsírmentes állapotban.** A zsíros, olajos fogantyúk csúszások és ahhoz vezethetnek, hogy a kezelő elveszíti az uralmát a kéziszerszám felett.
- 12. Csak fát fűrészeljen. A láncfűrész nem használja olyan munkákra, amelyekre az nem szolgál. Példák: Ne használja a láncfűrész műanyagok, téglafalak, vagy olyan építési anyagok fűrészelésére, amelyek nem fából készültek.** A láncfűrész rendeltetésének meg nem felelő célra való használata veszélyes szituációkhoz vezethet.

EGY VISSZARUGÁS OKAI ÉS MEGELŐZÉSÉNEK MÓDJA:

Visszarugás akkor léphet fel, ha a vezetősín csúcsa hozzáér valamilyen tárgyhöz, vagy ha a fa meghajlik és a fűrészlánc beékelődik a vágásba.

Egy tárgynak a vezetősín csúcsával való megérintése egyes esetekben egy váratlan hátrafelé irányuló reakcióhoz vezethet, amikor a vezetősín felfelé és a kezelő irányába vágódik ki.

Ha a fűrészlánc a vezetősín felső pereménél beékelődik, akkor a sín nagy sebességgel a kezelő irányába csapódhat. Ezen reakciók mindegyike ahhoz vezethet, hogy Ön elveszíti az uralmát a fűrész felett és esetleg súlyos sérülést szenved. Ezért ne hagyja rá magát kizárólag a láncfűrészbe beépített biztonsági berendezésekre. Egy láncfűrész kezelőjeként hozzon különböző intézkedéseket, hogy baleset- és sérülésmentesen dolgozhasson.

Egy visszarugás mindig az elektromos kéziszerszám helytelen vagy hibás használatának a következménye. Ezt az alábbiakban leírásra kerülő megfelelő óvatossági intézkedésekkel meg lehet gátolni:

- **Tartsa mindkét kezével fogva a fűrész, és a hüvelykujjával és a többi ujjával fogja át teljesen a láncfűrész fogantyúit. Hozza a testét és a karjait olyan helyzetbe, amelyben a visszaütő erők jobban fel tudja venni.** A kezelő személy megfelelő óvatossági intézkedésekkel uralkodni tud a visszarugási és reakcióerők felett. Sohase engedje el a láncfűrész.

- **Kerülje el az abnormális testtartást és vállmagasság felett ne fűrészeljen.** Így elkerülheti a vezetősín csúcsának véletlen megérintését és váratlan helyzetekben jobban tud uralkodni a láncfűrészben.
- **Mindig csak a gyártó cég által előírt tartalék síneket és fűrészlánccokat használja.** Hibás tartalék sínek vagy fűrészlánccok a lánc elszakadásához, vagy visszarugáshoz vezethetnek.
- **Tartsa be a gyártó cégnek a fűrészlánc karbantartására és élesítésére vonatkozó előírásait.** Túl alacsony mélységátárolók megnövelik a visszarugásra való hajlamosítást.

ELŐRELÁTHATATLAN KOCKÁZATOK

Egy elektromos gépnél még akkor is léteznek előreláthatatlan és elkerülhetetlen kockázatok, ha a gépet rendeltetésszerűen használják. A készülék típusától és szerkezeti felépítésétől függően a következő potenciális kockázatokkal kell számolni:

- A fűrészlánc fedetlen fogaival való közvetlen érintkezés (vágási kockázat)
- A forgó fűrészlánchoz való hozzáérés (vágási kockázat)
- A megvezető sín váratlan, meredek szögben való elmozdulása (vágási kockázat)
- A fűrészlánc leszakadt részeinek kidobódása (vágási/befürdési kockázat)
- A munkadarab leszakadt részeinek kidobódása
- A kenőolaj bőrrel való érintkezése
- Halláskárosodás, ha munkavégzés közben nem viselik az előírt hallásvédő felszerelést

BIZTONSÁGI FIGYELMEZTETÉSEK A HOSSZABBÍTÓ RUDAS, FOGAZOTT ÁGFOGÓS LÁNCFÜRÉSZ ESETÉN

1. A gép használata tilos, ha kezelője fáradt, beteg, vagy alkoholos, illetve gyógyszeres befolyás alatt áll.
2. A kockázatok csökkentése miatt a gép használata közben a járókelőket biztonságos távolságra kell tartani a munkavégzés övezetétől.
3. Legyen tisztában a veszélyes ágvágási testhelyzetekkel, vagy a leeső, illetve a talajra leesett és onnan visszapattanó ágak által előidézett veszélyekkel. Az ágakat szakaszosan, lépésről lépésre vágja le.
4. Munkavégzés közben álljon szilárdan és biztos egyensúlyban a lábain. Használja a géphez mellékelt válszíjat.
5. Munkavégzés közben tartsa biztonságos távolságra a gépet a gépkezelő feje felett elhaladó elektromos vezetékektől.

AZ AKKUMULÁTORRAL KAPCSOLATOS BIZTONSÁGI FIGYELMEZTETÉSEK

- a) Az akkumulátort ne szedje szét, ne nyissa fel és ne vágja meg.
- b) Ne zárja rövidre az akkumulátort. Az akkumulátorokat ne tárolja olyan dobozban vagy fiókban, ahol rövidre zárhatják egymást, vagy valamilyen vezető anyag a rövidzárlatukat okozhatja. Az akkumulátorokat használaton kívül tartsa a fémtárgyaktól, például gemkapcsoktól, pénzérméktől, kulcsoktól, szögektől, csavaroktól vagy más kis fémtárgyaktól távol, mivel ezek összekapcsolhatják a pólusokat. Az akkumulátor pólusainak rövidzárlata égés- és tűveszélyes.
- c) Ne tegye ki hőnek vagy tűznek az akkumulátort. Ne tárolja közvetlen napfényben.
- d) Az akkumulátort ne tegye ki ütésnek.
- e) Ha az akkumulátor szivárog, vigyázzon, hogy a folyadék ne kerüljön a bőrre vagy szembe. Annakban a bőrre vagy szembe kerül, az érintett területet mossa le bő vízzel, és forduljon orvoshoz.
- f) Az akkumulátor vagy egy cella lenyelése esetén azonnal forduljon orvoshoz.
- g) Vigyázzon, hogy az akkumulátor tiszta és száraz maradjon.
- h) Ha az akkumulátor pólusaira szennyeződés kerül, azt egy tiszta, száraz ruhával törölje le.
- i) Az akkumulátort használat előtt fel kell tölteni. A töltést mindig az utasításoknak megfelelően, helyes eljárást használva végezze.
- j) Használaton kívül ne hagyja töltőn az akkumulátort.
- k) Hosszan tartó tárolást követően a maximális teljesítmény elérése érdekében szükséges lehet, hogy az akkumulátort többször feltöltse és lemerítse.
- l) Az akkumulátor szobahőmérsékleten (20°C ± 5°C) használva nyújtja a legjobb teljesítményt.
- m) Az akkumulátorok ártalmatlanításakor a különböző elektrokémiai rendszereket különítse el egymástól.
- n) Csak a WORX által javasolt töltővel töltsse fel. Kizárólag a készülékhez való használatra mellékelt töltőt használja. Ha egy adott akkumulátorhoz megfelelő töltőt másik akkumulátorral használ, az tűzveszélyes lehet.
- o) Ne használjon a készülékkel való használatra tervezettől eltérő akkumulátort.
- p) Az akkumulátor gyermekektől távol tartandó.
- q) Őrizze meg a termékhez mellékelt utasításokat, a későbbiekben szüksége

lehet ezekre.

- r) Amikor a szerszámot nem használja, vegye ki belőle az akkumulátort.
- s) Ártalmatlanításnál megfelelően járjon el.

TARTSA MEG EZEKET AZ UTASÍTÁSOKAT

A fák kivágásának, metszésének és keresztvágásának helyes technikájára vonatkozó utasítások

1. Fák kivágása

Ha két vagy több személy egyszerre vág ki fát, akkor a személyek közötti távolság legalább a kivágandó fák magasságának kétszerese legyen. A favágás közben ügyeljen arra, hogy ne veszélyeztessen idegen személyeket, ne érintse meg sem a fűrészszel, sem a fálkát az elektromos vezetékkel és ne okozzon anyagi károkat. Ha egy fa mégis érintkezésbe kerülne egy elektromos vezetékkel, azonnal értesítse az energiaellátó vállalatot.

Lejtős felületen végzett favágás során a láncfűrész kezelője lehetőleg a kivágásra kerülő fánál magasabban fekvő területen tartózkodjon, mert a fa a kivágás után valószínűleg lefelé gurul vagy csúszik.

A fa kivágása előtt meg kell tervezni és szükség esetén szabaddá kell tenni egy menekülési utat. A menekülési útnak hátrafele kell nyúlnia, rézsútosan a dőlési vonal végére (lásd 1. ábra).

A fa kidöntése előtt a dőlési irány megítéléséhez vegye figyelembe a fa természetes dőlését, a legnagyobb ágak helyzetét és a pillanatnyi szélirányt.

Távolítsa el a fáról a szennyeződések, köveket, laza fakérget, szögeket, kapcsokat és drótokat.

2. Az ékvágás elkészítése

Az ék a fa átmérőjének 1/3-a legyen, és merőlegesen álljon a dőlés irányára (lásd 1. ábra). Az éknek először az alsó, vízszintes oldalát kell kivágni (W). Így el lehet kerülni azt, hogy a második ékvágás kialakításakor a fűrészlánc vagy a vezetősín beékelődjön (X).

3. A dőlési vágás kialakítása

A dőlési vágást (Y) legalább 50 mm-rel magasabban alakítsa ki a vízszintes ékvágáshoz képest (lásd 1. ábra).

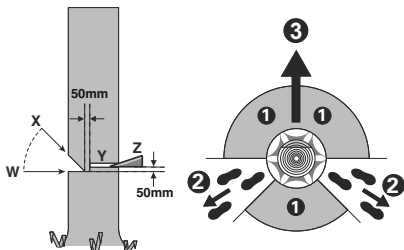
A dőlési vágást a vízszintes ékvágással párhuzamosan kell kialakítani. A dőlési vágást csak olyan mélyre vágja be, hogy még egy szilárd rész (döntőtölcs) megmaradjon, amely mintegy csuklóként működik. Ez a szilárd rész meggátolja, hogy a fatörzs elforduljon és helytelen irányba dőljön. Ne fűrészelve keresztül ezt a részt.

Amikor a dőlési vágás közeledik ehhez a szilárd darabhoz a fa dőlni kezd. Ha úgy látszik, hogy a fa nem a kívánt irányban dől, vagy visszafelé hajlik és beékeli a fűrészláncot, szakítsa meg a döntési vágás kialakítását és a fának a kívánt irányba való döntéséhez használjon fából, műanyagból, vagy alumíniumból készült ékeket (Z) (3).

Amikor a fa elkezd dőlni, vegye ki a láncfűrész a vágásból, kapcsolja ki, tegye le és az előzőleg megtervezett menekülési úton keresztül hagyja el a

veszélyes zónát (2). Ügyeljen a lehulló ágakra és arra, hogy ne botoljon meg semmiben. (Lásd 1. ábra)

1. ábra



4. Fák metszése

Ezalatt az ágaknak a már kidöntött fáról való leválasztását értjük. Az eljárás során azokat a nagyobb, lefelé irányuló ágakat, amelyek a fatörzset megtámasztják, először hagyja a fán. Egyetlen vágással távolítsa el a kisebb ágakat (l. 2. ábra). Azokat az ágakat, amelyek mechanikai feszültség alatt állnak, alulról felfelé kell fűrészelni, hogy elkerülje a fűrész beekelődését.

2. ábra



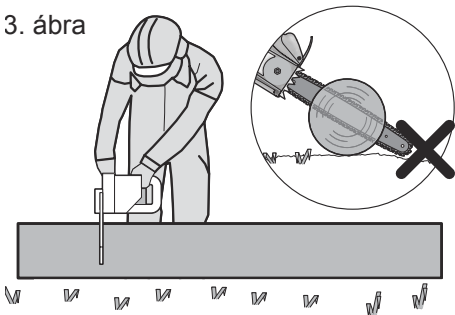
5. Rönk aprítása

126

Az aprítás a rönk darabokra vágását jelenti. Fontos, hogy meggyőződjön arról, hogy lábtartása szilárd, és testsúlya egyenlően oszlik meg a két lábán. Ha lehetséges, tegyen a fatörzs alá ágakat, gerendákat, vagy ékeket és támassza ki azzal a fatörzset. A könnyű vágás érdekében kövesse az egyszerű utasításokat.

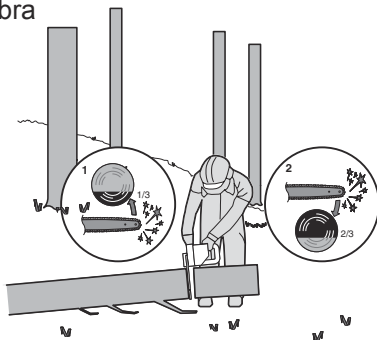
Ha a rönk teljes hossza mentén alá van támasztva, mint ahogy azt a 3. ábra mutatja, a vágást a tetejétől kezdje (felső vágás), elkerülve a lánc talajjal való érintkezését, mely nagymértékű lánckopást idéz elő.

3. ábra



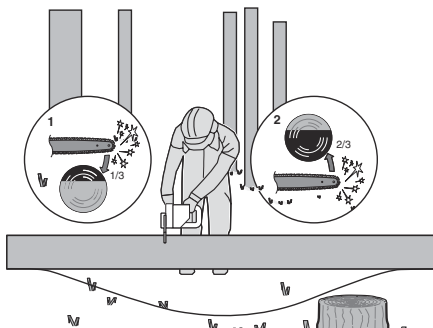
Amikor a rönköt az egyik végén alátámasztja, amint az a 4. ábrán látható, vágja le az átmérő 1/3-át az alsó részből (alsó vágás) (1). Majd fejezze be a vágást felülől haladva, az első vágás irányában (2).

4. ábra



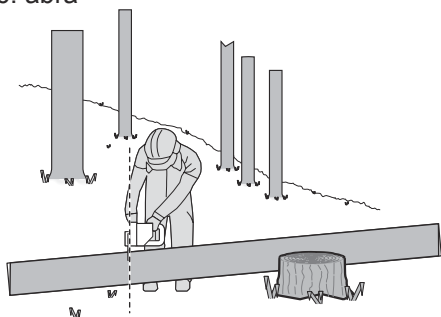
Ha a rönk mindkét végén alá van támasztva, ahogy azt az 5. ábra mutatja, vágja be az átmérő 1/3-át a tetejétől (felső vágás) (1). Ezt követően fejezze be a vágást az alsó 2/3-ról haladva (2), az első vágás irányában.

5. ábra



Lejtőn való aprítás esetén mindig a rönk felefele álló végénél álljon, ahogy azt a 6. ábra mutatja. Hogy az „átfűrészelés” pillanatában is megőrizze az uralmát az eljárás felett, a vágás vége felé csökkentse a szerszámra gyakorolt nyomást, anélkül, hogy a láncfűrész fogantyúinak szoros fogvatartását megglazlitaná. Ügyeljen arra, hogy a fűrészlánc sohasem érintse meg a talajt. A vágás befejezése után várja meg, amíg a fűrészlánc teljesen leáll, mielőtt a láncfűrész onnan eltávolítaná. A láncfűrész motorját mindig kapcsolja ki, amíg az egyik fáról a másikra vált át.

6. ábra



SZIMBÓLUMOK

	A sérülésveszély csökkentése érdekében a felhasználónak el kell olvasnia az utasításokat.
	FIGYELMEZTETÉS
	Viseljen fülvédőt
	Viseljen szemvédőt
	Viseljen pormaszkot
	Ne tegye ki nedvességnak
	Viseljen védősisakot
	Viseljen védőkesztyűt
	Viseljen védőlábbelit

	A fejfeltti elektromos vezetékekre utaló figyelmeztetés
	A leselejtezett elektromos készülékek nem dobhatók ki a háztartási hulladékkal. Ha van a közelben elektromos hulladék gyűjtő udvar, vigye oda a készüléket. Az újrahasznosítási lehetőségekről tájékozódjon a helyi hatóságoknál vagy a kereskedőnél.
	Az elemeket ne dobja ki, a lemerült elemeket vigye a helyi gyűjtő- vagy újrahasznosító pontokra.
	Ne dobja tűzbe.
	Ne tegye ki esőnek vagy víznek.
	Kerülje bármely tárgyának a vezetősín csúcsával való érintkezését.
	Egy tárgyának a vezetősín csúcsával való érintkezése váratlan hátrafelé irányuló reakcióhoz vezethet, ami a kezelő súlyos sérülését okozhatja.
	Mindig két kézzel működtesse a láncfűrész.
	xINR18/65-y: Hengeres lítium-ion akkumulátorcellák 18mmes maximális átmérővel és 65mm-es maximális magassággal; az "x" a sorosan kötött cellákat jelöli, üres, ha a szám 1; az "y" a párhuzamosan kötött cellákat jelöli, üres, ha a szám 1.


ALKATRÉSZ LISTA

1. HÁTSÓ KAR
2. KI-/BEKAPCSOLÓ GOMB
3. OLAJTARTÁLY KUPAKJA
4. ELÜLSŐ FOGANTYÚ
5. KÉZVÉDŐ
6. VEZETŐSÍN
7. FŰRÉSZLÁNC
8. LÁNCFESZÍTŐ BÜTYÖK
9. LÁNCFURKOLAT
10. AKKUCSOMAG *
11. AKKUCSOMAGOT KIOLDÓ GOMB *
12. HÁTSÓ FOGANTYÚ VÉDŐJE
13. KÖRMÖS ÜTKÖZŐ
14. OLAJSZINTMUTATÓ ABLAK
15. LEZÁRÓ GOMB
16. LÁNCKERÉK
17. LÁNCFORGÁSIRÁNY JELZÉSE
18. OLAJFŰVÓKA
19. VEZETŐSÍN BEFOGÓJA
20. VEZETŐSÍN RÖGZÍTÉSI FURATA
21. VEZETŐSÍNT POZÍCIONÁLÓ FÜLEK
22. VEZETŐSÍN ÉS FŰRÉSZLÁNC TÁROLÁSÁRA/SZÁLLÍTÁSÁRA SZOLGÁLÓ VÉDŐBURKOLAT*(VÉDŐTOK)
23. VEZETŐSÍNT RÖGZÍTŐ FÉMLAP (LÁSD A. ÁBRA)
24. HOSSZABBÍTÓ RÚD FOGANTYÚ*
25. RETESZELŐ GOMB*
26. RÖGZÍTŐ KAR*
27. BELSŐ RÚD*
28. RETESZELŐ GOMB*
29. HOSSZABBÍTÓ RUDAT RÖGZÍTŐ BILINCS*
30. A HOSSZABBÍTÓ RÚD FOGANTYÚJÁN TALÁLHATÓ KIOLDÓ GOMB*
31. A HOSSZABBÍTÓ RÚD FOGANTYÚJÁN TALÁLHATÓ ON/OFF (BE-/KIKAPCSOLÓ) GOMB*
32. VÁLLSZÍJ*

* Nem minden gép tartalmazza az összes, a fentiekben felsorolt alkatrészt.

MŰSZAKI ADATOK

Típus **WG322E WG322E.9 WG323E WG323E.9** (3 - a gép, azaz a láncos és hosszabbító rudas fűrész rendeltetése)

	WG322E	WG322E.9	WG323E	WG323E.9
Feszültség	20V  Max**			
Vezetősín hosszúsága	25cm			
Láncsebesség	3.8m/s			
Olajtartály kapacitása	130ml			
Osztásköz	3/8"			
Láncszemek száma	40			
Lánc mérősablon	0.043"			
Elfogadott láncok típusai	ES: 3/8.043-40E/ QIRUI : A0(T)-40E/ OREGON: 90PX040G			
Elfogadott megvezető sínek típusai	ES: ES104SDEA041/ QIRUI : PO10-43SR(T) / OREGON: 104MLEA041			
Töltési idő	5hrs			
Súly (láncsal és vezetősínnel együtt)	2.8kg	2.4kg	4.6kg	4.2kg

**Terhelés nélküli feszültség. Az akkumulátor kezdő feszültsége maximum 20 volt. A névleges feszültség 18 volt.

TARTOZÉKOK

	WG322E	WG322E.9	WG323E	WG323E.9
Fűrészlánc	1	1	1	1
Vezetősín	1	1	1	1
Szállítási védőburkolat	1	1	1	1
Hosszabbító rúd (WA0166)	/	/	1	1
Töltőkészülék (WA3760)	1	/	1	/
Akkumulátor (WA3551)	1	/	1	/
Vállszij	/	/	1	1

Javasoljuk, hogy a tartozékokat ugyanabból a boltból vásárolja meg, ahol a szerszámot is vásárolta. További részleteket a tartozék csomagolásán talál. Kérjen segítséget és tanácsot a bolti eladóktól.

ZAJÉRTÉKEK

	WG322E WG322E.9	WG323E WG323E.9
A-súlyozású hangnyomászint	$L_{pA} = 87.9 \text{ dB(A)}$	$L_{pA} = 85.7 \text{ dB(A)}$
A-súlyozású hangerő	$L_{wA} = 96 \text{ dB(A)}$	$L_{wA} = 96 \text{ dB(A)}$
$K_{pA} = 3.0 \text{ dB(A)}$		

Viseljen fülvédőt.



REZGÉSÉRTÉKEK

Az EN60745 szabvány szerint meghatározott összes rezgés (háromtengelyű vektoriális összeg) a következő:

Rezgéskibocsátás $a_{11} < 2.5 \text{ m/s}^2$	Bizonnyatlanság $K = 1.5 \text{ m/s}^2$
--	---

A hivatalos összesített rezgésszint a szerszámok összehasonlítására, illetve a kitétség előzetes felmérésére használható.

! WARNING: Az elektromos kéziszerszám használata során a rezgéskibocsátás eltérhet a fenti értéktől attól függően, hogy a szerszámot hogyan használják. Az érték függhet az alábbiaktól: Hogyan használják a szerszámot, milyen anyagokat vágnak vagy fúrnak.

Az eszköz jó állapotban van-e, megfelelően karbantartják-e.

Megfelelő tartozékokat használnak-e az eszközhöz, vigyáznak-e, hogy hegyes legyen és jó állapotban maradjon.

A markolat megfelelően rögzül-e, használnak-e rezgéscsillapító tartozékokat.

A szerszámot rendeltetésszerűen, kialakításának és a jelen utasításoknak megfelelően használják-e.

Ha a szerszámot nem kezelik megfelelően, kéz-kar vibrációs szindrómát okozhat.

! FIGYELMEZTETÉS: A pontosság érdekében az expozíciós szint becslült értékéhez a valós használati körülmények között figyelembe kell venni a működési ciklus valamennyi elemét, így azt az időt is, amikor a szerszám ki van kapcsolva, és amikor üresjárásban működik. Ez a teljes munkaidőszak viszonylatában jelentősen csökkentheti az expozíciós szintet.

A rezgéskockázatnak való kitétséget az alábbiakkal csökkentheti:

Az eszközt jelen utasításoknak megfelelően tartsa karban, és vigyázzon a megfelelő kenésre (ahol erre szükség van).

Ha rendszeresen használja az eszközt, vásároljon

rezgéscsillapító tartozékokat.

Úgy tervezze meg a munkáját, hogy a magas rezgésszámú eszközök használatát igénylő feladatokat több napra ossza el.

RENDELTETÉS

A láncfűrész faanyagok, fatörzsek, faágak, fagerendák, farönkök stb. fűrészelésére szolgál. A fűrészelés rostra merőlegesen vagy rostirányban is végezhető. A termék ásványi anyagok fűrészelésére nem alkalmas.

ÖSSZESZERELÉS

! FIGYELMEZTETÉS! A gép teljes összeszerelése előtt ne helyezze be az akkucsomagot. A fűrészlánc kezelésekor mindig viseljen védőkesztyűt.

A LÁNC ÉS A LÁNCVEZETŐ SÍN ÖSSZESZERELÉSE

- Óvatosan csomagolja ki az alkatrészeket.
- Helyezze a láncot szilárd, egyenletes felületre.
- Eredeti WORX vagy a megvezető sínhez ajánlott láncokat használjon.
- Csúsztassa a láncot (7) a vezetősín hornyába (6). Gondoskodjon a lánc megfelelő haladási irányáról a megvezető sín piktogramjával való összehasonlítás vagy a láncfűrész burkolatán levő, és a lánc irányát jelző piktogram (17) megtekintése révén. Győződjön meg róla, hogy a sínfeszítő fiemelek (23) kifelé néz. (Lásd A. ábra)
- Illessze a láncot a lánckerékre (16) úgy, hogy a sínrögzítő csavar (20) és a két sínpozicionáló ful (21) pontosan illeszkedjen a sínbefogó (19) vezetősín (9) rögzítő nyílásába. (Lásd B1, B2. ábra)
- Ellenőrizze, hogy minden alkatrész megfelelően helyezkedik-e el. Győződjön meg arról, hogy a lánc meghajtó szemei tökéletesen helyezkednek a lánckerék fogain (Lásd C1. ábra). Kerülje el a C2 ábrán látható torlódást. Ha a lánc torlódik, igazítsa meg a láncot a torlódási pontnál.

MEGJEGYZÉS: A láncnak torlódás- és akadálymentesen kell szaladnia a sinen.

- Helyezze fel a láncvédő burkolatot (9) és rögzítse a burkolatot a láncfeszítő bűtyök (8) óramutatók járásával megegyező irányba történő elforgatásával. (Lásd D. ábra)

! FIGYELMEZTETÉS: A lánc még nem feszes. A lánc megfeszítésének folyamatát a „Lánc megfeszítése” című fejezetben leírtaknak megfelelően kell elvégezni. A lánc megfelelő feszességét ezután ellenőrizni kell.

A FŰRÉSZLÁNC MEGFESZÍTÉSE (Lásd E1, E2. ábra)

MEGJEGYZÉS: Az új fűrészláncok hajlamosak a megnyúlásra. Az első használat során gyakran ellenőrizze a lánc feszességét, és feszítse a láncot (7), ha az meglazul a vezetősín (6) körül.



FIGYELMEZTETÉS:

- Távolítsa el a kéziszerszám akkumulátorát, mielőtt beállítaná a fűrészlánc feszülését.
 - A lánc vágóéle éles. Használjon védőkesztyűt a lánc kezelése során.
 - Mindig ügyeljen a megfelelő láncfeszességre. A meglazult lánc növeli a visszarúgás kockázatát. A meglazult lánc kiugorhat a vezetősín hornyából. Ez a kezelő sérüléséhez vagy a lánc károsodásához vezethet. A meglazult lánc következtében a lánc, a sín és a lánckerék jelentős kopásnak indul.
1. Helyezze a láncfűrészre erre alkalmas, sík felületre.
 2. Forgassa a láncfeszítő bütököt (8) az óramutatók járásával megegyező irányba, amíg az teljesen megszorul.

MEGJEGYZÉS: Csavarja a rögzítőgombot/ láncfeszesség-állító gombot (8) az óra járásával megegyező irányba. A megfelelő láncfeszesség automatikusan kialakul. A racsni szerkezetnek köszönhetően a lánc feszessége elméletileg állandó marad.

3. Döntse előre a fűrész (Lásd E1. ábra), hogy a megvezető sín (6) hegye kissé megemelkedjen. Ezáltal megszűnik a lánc kotyogása is.
4. Teljesen húzza meg a láncfeszítő bütököt (8) annak az óramutatók járásával megegyező elforgatásával.
5. Alaposan ellenőrizze a láncfeszítő bütök által automatikusan beállított láncfeszességet. A láncfeszesség csak akkor tekinthető megfelelőnek, ha a megvezető sín (7) közepe táján a lánchajtó fog magasságának a feléig fel lehet emelni a láncot (6). Ezt a műveletet letelet géppel és egy kézzel kell végrehajtani, hogy a felemelt láncre a gép súlya is hasson. (Lásd E2. ábra)

MEGJEGYZÉS: A lánc (7) feszessége akkor tekinthető megfelelőnek, ha azt fel lehet emelni a megvezető sínről (6), de a lánchajtó fog nem ugrik ki a megvezető sínből (6).

MEGJEGYZÉS: Vágás közben a lánc (7) nyúlik és elveszti a beállított feszességét. Ha a lánc lazává vált, teljesen csavarja ki a láncfeszítő bütököt (8) vagy forgassa el azt három teljes fordulattal az óramutatók járásával ellentétes irányba. Ezt követően ismét húzza meg a láncfeszítő bütököt (8), majd állítsa vissza a megfelelő láncfeszességet a fenti 1-4 lépés megismétlésével.

A HOSSZABBÍTÓ RÚD ÖSSZESZERELÉSE (csak a WG323E, WG323E.9 modelleknél)

Illesse a tengelybe a hosszabbító rúd fogantyúját. A fogantyú rögzítése érdekében forgassa a reteszelő gombot az óramutatók járásával megegyező irányba. (Lásd F1, F2. ábra)

MEGJ: Bizonyosodjon meg, hogy a tengely biztonságosan rögzült a helyén.

A HOSSZABBÍTÓ RÚD FELSZERELÉSE A GÉPRE (LÁSD G1. ÁBRÁ)

- 1.lépés: Helyezze egyvonalba és illesse a láncfűrészre a rúdrögzítő bilincset (29).
- 2.lépés: Forgassa az óramutatók járásával ellentétes irányba a reteszelő gombot (28), hogy a hosszabbító rúd jól berögzüljön a gépre.

MEGJ.: Használat előtt győződjön meg arról, hogy a hosszabbító rúd biztosan berögzült a helyére.

A HOSSZABBÍTÓ RÚD LESZERELÉSE A GÉPRŐL (Lásd G2. ábra)

1. lépés: Forgassa a reteszelő gombot (28) az óramutatók járásával megegyező irányba, hogy meglazítsa a rudat, majd a rudat húzza ki a helyéről.
2. lépés: Csúsztassa el a láncfűrészre, hogy a hosszabbító rudat elválassza a géptől.



FIGYELMEZTETÉS!

• Ha ezt a gépet hosszabbító rúddal használja, először győződjön meg arról, hogy az akkucsomagot kivették belőle.

A rúdhossz beállítása

A magassági ágvágó fűrész olyan teleszkópius rúddal rendelkezik, amely a teljesen összenyomott 2 m-es hosszról maximum 2.7 m-es hosszra húzható ki (állítási határok).

A rögzítő kar (26) szerepe a hosszabbító rúd kívánt hosszúságokban való rögzítése.

1. Ha a rudat nagyobb hosszra akarja állítani, lazítsa meg a rögzítő kart a H ábrán látható módon. A karocska meglazítása után a rúd szabadon csúszik.
2. Húzza ki a rúd belső szakaszát a kívánt hosszúságra. Megj.: a rudat csak arra a minimális hosszra húzza ki, amely a levágni szánt ág eléréséhez szükséges.
3. A rudat a rögzítő kar H ábrán látható módon való meghúzásával lehet rögzíteni a kívánt helyzetbe.

KENÉS



FONTOS: Vásárláskor a láncfűrészben nincs olaj. Használat előtt mindenképpen olajat kell tölteni bele. A láncfűrész soha ne működtesse láncenő olaj nélkül vagy üres olajtartállyal, hiszen ez a gép nagymértékű károsodását okozhatja.

MEGJEGYZÉS: A lánc élettartama és a vágáskapacitás az optimális kenéstől függ. Ennek következtében a lánc olajozása működés közben automatikusan történik.

AZ OLAJTARTÁLY FELTÖLTÉSE:



FIGYELMEZTETÉS: Az olajtartály feltöltése előtt távolítsa el az akkucsomagot!

1. Állítsa a láncfűrészre egy erre alkalmas felületre úgy, hogy az olajtöltő nyílás kupakja felfelé (3) álljon.
2. Tisztítsa meg az olajtöltőnyílás kupakja körüli területet egy tiszta ronggyal, majd csavarja le a kupakot.
3. Töltsé tele a tartályt vezetősín- és láncenő olajjal.
4. Vigyázzon, nehogy por vagy törmelék kerüljön a tartályba. Helyezze vissza az olajtartály kupakját (3), majd csavarja vissza az óramutatók járásával megegyező irányba forgatva.



FONTOS: Az olajtartály szellőzését kis szellőzőcsatornák segítik, melyek az olajtöltő nyílás kupakja és az olajsűrű között helyezkednek el; a szívárgás

megelőzése érdekében a gépet használaton kívül mindig vízszintes pozícióban (az olajtöltő nyílás kupakjával (3) felfelé) tegye le.

A láncfűrész károsodásának megelőzése érdekében fontos, hogy Ön mindig a gyártó által ajánlott kenőolajat használjon (Grade: ISO VG32). Ezt az olajat a láncfűrész beszerzési helyén vagy egy helyi kisgép üzletben lehet beszerezni. Amennyiben nem a gyártó által ajánlott kenőolajat használ, a garancia érvényét veszti.

Ne nyelje le. Ha lenyelte, azonnal hívjon orvost. Gyerekektől elzárva tartandó. Hőforrástól vagy nyílt lángtól távol tárolandó.

AZ OLAJAZÓ AUTOMATIKA ELLENŐRZÉSE

Az automatikus lánc kenés működését Ön is ellenőrizheti, ehhez kapcsolja be a fűrészt (6) és tartsa azt a csúcsával a talajra fektetett papír vagy karton felé. Ha ekkor egy növekvő olajnyom figyelhető meg, az olajozó automatika kifogástalanul működik. Amennyiben nem jelenik meg olajminta, holott az olajtank tele van, vegye fel a kapcsolatot a WORX ügyfélszolgálati munkatársával vagy a WORX által jóváhagyott szervizképviseletével.

VIGYÁZAT: Ne érintse meg a láncot a talajt és tartson be egy elegendő, kb. 30 cm-es távolságot.



MŰKÖDÉS

1. A VEZETÉK NÉLKÜLI ESZKÖZ HASZNÁLATA ELŐTT

FIGYELMEZTETÉS! A töltőt és az akkumulátort kifejezetten egymáshoz terveztek, ezért ne próbálkozzon más eszköz használatával. Soha ne helyezzen fémtárgyakat a töltőbe vagy az akkumulátorba, és ne engedje, hogy azokba fémtárgyak jussanak, mivel ez elektromos meghibásodáshoz vezet, és veszélyes.

MEGJEGYZÉS: Az akkumulátor NINCS FELTÖLTVE, használat előtt előbb fel kell tölteni.

A szerszámban található lítium-ion akkumulátor a mellékelt akkumulátortöltővel tölthető. Ne használjon más akkumulátortöltőt.

2. AZ AKKUMULÁTOR FELTÖLTÉSE

A lítium-ion akkumulátor mélylemerülés elleni védelemmel rendelkezik. Amikor az akkumulátor lemerül, a készülék egy védelmi rendszer segítségével kikapcsol. Meleg munkakörnyezetben vagy hosszantartó használat után előfordulhat, hogy az akkumulátor annyira felmelegszik, hogy nem tölthető. Mielőtt újratöltené, hagyja lehűlni az akkumulátort.

3. AZ AKKUMULÁTOR BEHELYEZÉSE ÉS ELTÁVOLÍTÁSA (Lásd I1, I2, I3. ábra)

Nyomja meg az akkumulátorkioldó gombot, majd távolítsa el az akkumulátort az eszközből. Feltöltés után az akkumulátort helyezze be az eszköz akkumulátortárolásába (Lásd G Ábra). Minimális erő

hozzáadása mellett egyszerűen tolja be az akkumulátort kattánásig. Ellenőrizze, hogy az akkumulátor megfelelően rögzül-e.

MEGJEGYZÉS: Mikor az akkumulátort kivesszi, fogja meg erősen, hogy elkerülje annak leesését és a baleseteket.

4. BE- ÉS KIKAPCSOLÁS (LÁSD J. ÁBRÁ)

FIGYELEM: E vezeték nélküli elektromos kisgép használata előtt ellenőrizze az akkucsomagot. Csak a Tartozékok fejezetben említett akkucsomagot használja.

A gép bekapcsolásához nyomja meg a kioldógombot (15), majd teljesen nyomja be a be-/kikapcsoló (2), és tartsa meg ebben a pozícióban. A kioldógombot ekkor el lehet engedni.

Kikapcsoláshoz engedje el a be-/kikapcsolót.

5. VÁGÁS

FONTOS: A munkavégzés előtt és közben, rendszeresen ellenőrizze az olajsintjelzőt (14). (Lásd K1. ábra) Ha alacsony olajsintet észlel a tartályban, töltsd fel olajjal a tartályt. A szünetektől és a munka intenzitásától függően egyetlen teljes feltöltés kb. 12 percre elegendő. Munkavégzés közben tízpercenként ellenőrizze a lánc feszességét.

- 1) Az akkumulátor beszerelése a gépbe.
- 2) Győződjön meg róla, hogy a vágandó farönkök nem a talajon helyezkednek el. Így megelőzhető, hogy a rönk kettévágása közben a lánc (7) a talajhoz érjen. Ha a lánc működés közben a talajhoz ér, az veszélyhelyzethez, valamint a lánc eltompulásához vezet.
- 3) Tartsa a fűrészt keményen, két kézzel. Mindig bal kezével tartsa az előlűs kart (4), és jobb kezével fogja a hátsó kart (1). Tartsa szilárdan. Ujjai körbe kell fogják a fűrészfogantyúit. (Lásd K2. ábra).
- 4) Győződjön meg róla, hogy stabil talajon áll. Lábat tartsa vállszélességű terpeszben. Testsúlyát egyenletesen ossza el mindkét lábán.
- 5) Ha készen áll a vágás elvégzésére, jobb hüvelykujjával nyomja be teljesen a kioldó gombot (15), és szorítsa meg az indítógombot. Ezáltal a fűrészbekapcsol. Az indítógomb elengedésekor a fűrészbekapcsol. A vágás megkezdése előtt győződjön meg róla, hogy a fűrészbekapcsolás maximális sebességen működik.
- 6) A vágás megkezdésekor lassan helyezze a mozgó láncot a fára. A láncfűrész házát a lehető legközelebbre kell helyezni a felapítandó fához. Tartsa erősen a fűrészt, hogy ezáltal elkerülje a fűrészes esetleges rázkódását vagy csúszkálását (oldalirányú mozgását).
- 7) Kévs nyomással vezesse a fűrészt, ne fejtessen ki túlzott erőt a fűrészre, engedje magától dolgozni a fűrészt. A hajtómű így túlterhelésnek teszi ki, és kiéghet. A rendeltetésének megfelelő erőmérték megtartása mellett a géppel jobb és biztonságosabb munkavégzés érhető el.

- 8) Vegye le a vágásról a fűrészt maximális sebességű működés mellett. A be-/kikapcsoló (2) elengedésével állítsa meg a fűrészt. A fűrészt lehelyezése előtt győződjön meg róla, hogy a lánc leállt.
- 9) Egy biztonságos munkavégzési helyen gyakoroljon a fűrésszel selejtes rönkökön, amíg belejön a munkába, és már könnyedén, gördülékenyen és stabil vágási arányszámmal tud fűrészelni.

Visszarugásgátló biztonsági eszközök a fűrészen

A fűrészt alacsony visszarugási kockázattal a láncsal és csökkentett visszarugási kockázattal vezetősínnel van felszerelve. Mindkét elem csökkenti a visszarugás esélyét. Azonban ennél a fűrésznél is történhet visszarugás.

Az alábbi lépések csökkentik a visszarugás kockázatát.

- Használja mindkét kezét a fűrészt tartásához, míg az működésben van. Tartsa szilárdan. Ujjai körbe kell fogják a fűrészt karjait.
- A fűrészt biztonsági elemeit tartsa a megfelelő helyen. Ellenőrizze, hogy ezek megfelelően működnek-e.
- Ne próbáljon meg túl messzire nyúlni, vagy vállmagasság felett vágni a fűrésszel.
- Mindig vigyázzon, hogy stabilan álljon, és őrizze meg egyensúlyát.
- Álljon kissé a fűrészt bal oldalára. Ezáltal a test nem teljesen egyvonalban helyezkedik el a láncsal.
- Ne engedje, hogy a vezetősín orra bármihez is hozzáérjen, amikor a fűrészlánc mozgásban van.
- Soha ne próbáljon egyszerre két rönköt kettévágni. Kizárólag egyszerre egy rönköt vágjon.
- Ne tömje el a vezetősín orrát, illetve ne próbáljon bemerítő vágást végezni (befürödés a fába a sín orra segítségével).
- Figyelje a fa elmozdulását vagy minden más tényezőt, amely következtében a fűrészlánc becsípődhet.
- Legyen rendkívül elővigyázatos, amikor egy korábbi vágást szeretne folytatni.
- Kizárólag jelen láncfűrészhöz tartozó, alacsony visszarugási kockázatú láncot és vezetősínt (6) használjon.
- Soha ne használjon életlen vagy laza fűrészláncot. Tartsa a fűrészláncot élesen és megfelelő mértékben feszesen.

A fűrészt biztonságos használatához:

1. A láncfűrészt mindig stabil talajon használja.
2. Tartsa a láncfűrészt a test jobboldalán (Lásd L. ábra).
3. A láncnak (7) maximális sebességen kell működnie, mielőtt a fával érintkezik.
4. A vágás elindítása előtt nyomja neki a gép körmös ütközőit (13) a vágandó rönkhöz.
5. Vágás közben a körmös ütközőket emelési pontként is használhatja. (Lásd M. ábra)
6. Ne működtesse a láncfűrészt teljesen kinyújtott karokkal, ne próbáljon nehezen elérhető helyeket elfűrészelni, és fűrészelés közben ne álljon létrán (Lásd N. ábra).

Soha ne használja a fűrészt vállmagasság felett.

FA VÁGÁSA FESZÜLÉS ALATT (LÁSD O. ÁBRA)



FIGYELMEZTETÉS: Legyen rendkívül óvatos, amikor feszülés alatti ágat vág. Legyen felkészülve a fa

visszacsapódására. Amikor a fa feszülése kienged, az ág visszacsapódhat, és megütheti a kezelőt, súlyos sérülést vagy halált okozva. Amikor olyan rönköt vág, amely mindkét végénél meg van támasztva, felülről (Y) (felső vágás) kezdje a vágást körülbelül a rönk átmérőjének 1/3-áig, majd fejezze be a vágást (Z) alulról annak érdekében, hogy elkerülje a láncfűrészt fűrészt érintkezését a talajjal. Amikor olyan rönköt vág, amely csak az egyik végénél van megtámasztva, alulról (Y) (alsó vágás) kezdje a vágást körülbelül a rönk átmérőjének 1/3-áig, majd fejezze be a vágást (Z) felülről annak érdekében, hogy elkerülje a rönk hasadását vagy a kéziszerszám elakadását.

A MAGASSÁGI ÁGVÁGÓ FŰRÉSZ HASZNÁLATA (CSAK A WG323E, WG323E.9 MODELLEKNÉL)

Vállsziyas ágvágás (Lásd P1. ábra)

A hosszabbító rudat vállszijjal együtt szállítják, mivel az kiegészítő támaszt biztosít, amikor a Láncfűrészt fűrészgépet a levegőbe kell emelni. Akassza a vállszijat a hosszabbító rúdra, majd akassza a szíjat a vállára. Ez a vállsziy a gép azon rándítását is felfoghatja, amely egy adott vágás befejezése után következhet be.

A hosszabbító rudas ágvágás

1. Az akkumulátor beszerelése a géphez.
2. Egy magasan álló ág levágása előtt gondolatban ismétlje át az előző fejezet: "Ágak nyesése" összes erre vonatkozó pontját, de a legfontosabb teendő mégis a levágott ág esési útvonalának felmérése.



FIGYELMEZTETÉS: Soha ne álljon közvetlenül a levágandó ág alatt. Tartsa távol a bámészködőket. A gép használata közben ne álljon létrára vagy egyéb instabil felületre. Ne használja a gépet kábeleket, elektromos- vagy telefonvezetékeket közelében. Mindig legkevesebb 3 m-es távolságra dolgozzon az összes elektromos vezetéktől. (Lásd P2-P5 ábra)

3. Markolja keményen, két kézzel a láncfűrészt. A magassági ágvágó fűrészt használata során a gépet csak az e célból kijelölt helyeken ragadja meg (Lásd P6. ábra). Tartsa szilárdan. Ujjai körbe kell fogják a fűrészt karjait.
4. Győződjön meg róla, hogy stabil talajon áll. Lábaik tartsa vállszielésségű terpeszben. Testsúlyát egyenletesen ossza el mindkét lábán.
5. Ha készen áll a vágás elvégzésére, nyomja be teljesen a kioldó gombot (30), majd teljesen nyomja meg az On/Off (Be-/Kikapcsolás) gombot (31) (Lásd P7 ábra). Ezáltal a fűrészt bekapcsol. Az indítógomb elengedésekor a fűrészt kikapcsol. A vágás megkezdése előtt győződjön meg róla, hogy a fűrészt maximális sebességen működik.
6. A vágás megkezdésekor lassan helyezze a mozgó láncot a fára. Tartsa erősen a fűrészt, hogy ezáltal

elkerülje a fűrész esetleges rázkódását vagy csúszkálását (oldalirányú mozgását).

7. Kevés nyomással vezesse a fűrész, ne fejtse ki túlzott erőt a fűrészre. A hajtóműt így túlterhelésnek teszi ki, és kiéghet. A rendeltetésének megfelelő erőmérték megtartása mellett a géppel jobb és biztonságosabb munkavégzés érhető el.
8. Vegye le a vágásról a fűrész maximális sebességű működés mellett. A be-/kikapcsoló elengedésével állítsa meg a fűrész. A fűrész lehelyezése előtt győződjön meg róla, hogy a lánc leállt.

FA KÖRÜLVÁGÁSA (ÁGNYESÉS)



FIGYELMEZTETÉS: Óvakodjon a gép visszarúgásától. A visszarúgás súlyos sérüléseket vagy halálos balesetet is okozhat. A visszarúgás kockázatának elkerülése végett olvassa el a Visszarúgás fejezetet.

FIGYELMEZTETÉS: Ne használja a magassági ágvágó fűrész, ha:

- egy fán áll,
- egy létrán vagy egyéb instabil felületen áll, vagy
- kényelmetlen pozícióban áll.

A fenti esetek bármelyikében elvesztheti a magassági ágvágó fűrész feletti irányítást, és súlyos sérüléseket szenvedhet.



FIGYELMEZTETÉS: A magassági ágvágó fűrész használata során soha ne emelje magasabbra karjait saját vállának a magasságánál.

VIGYÁZAT: Amennyiben ismereteit meghaladó körülményekkel találkozik, kérjen szakavatott segítséget.

A fanyesés egy olyan folyamat, amelynek során élő fáról nyesi le az ágakat! Lábaik tartsa vállszélességű terpeszben. Testsúlyát egyenletesen ossza el mindkét lábán.

A faágak nyesése során kövesse az alábbi irányelveket.

1. A legelső vágást az ág alsó részén kezdje, kb. 15 cm-re a fa törzsétől. E vágáshoz használja a megvezető sín felső részét. Vágjon be kb. 1/3-nyit a faág átmérőjébe (lásd a P8 ábrát).
2. Helyezze a láncot kb. 5-10 cm-vel a faág hegye felé. A második vágást a faág felső részétől kezdve végezze. Addig folytassa a vágást amíg a faág teljesen levágódik.
3. A harmadik vágást a fatörzshöz lehető legközelebb hajtja végre, hogy alulról vagy teljesen eltávolítsa a megmaradt ágcsonkot. E vágáshoz is használja a megvezető sín felső részét. Vágjon be kb. 1/3-nyit a csonk átmérőjébe.
4. A negyedik vágást pontosan a harmadik vágás fölött hajtja végre. Úgy vágjon, hogy a felső és az alsó vágás találkozzon egymással. Ez a módszer megszabadítja a fát a még kiálló csonktól.

A FÜRÉSZ KARBANTARTÁSA

Kövesse a jelen kézikönyvben leírt karbantartási utasításokat. A fűrészlánc és a vezetősín, illetve általában a fűrész megfelelő tisztítása és karbantartása csökkentheti a visszarúgás kockázatát. Minden használat után vizsgálja át és tartsa karban a fűrész. Ez megnöveli a fűrész élettartamát.

MEGJEGYZÉS: Még ha az élezés megfelelő módon is történik, minden egyes élezés növelheti a visszarúgás kockázatát.

A LÁNCFÜRÉSZ KARBANTARTÁSA ÉS TÁROLÁSA

1. Távolítsa el a fűrész akkumulátorát:

- Amikor nincs használatban
- Másik helyszínre történő átköltözés előtt
- Szervizelés előtt.
- Tartozékok és járulékos részek, például a fűrészlánc és a vezetősín cseréje előtt.

2. Vizsgálja át a fűrész minden használat előtt.

Ellenőrizze le alaposan a fűrész, hogy a védőborítás vagy egyéb alkatrész nem sérült-e. Ellenőrizze, hogy van-e olyan sérülés, amely kihat a kezelő biztonságára vagy a fűrész működésére. Ellenőrizze a mozgó alkatrészek illeszkedését és csatlakozását. Ellenőrizze, hogy van-e törött vagy sérült alkatrész. Ne használja a fűrész, ha a sérülés befolyásolja a biztonságot vagy a gép működését. Javíttassa meg a hibát a hivatalos szervizközponttal. A hivatalos szervizközpontok listája a www.worx.com honlapon érhető el.

3. Gondosan ügyeljen a láncfűrész karbantartására.

- Soha ne tegye ki esőnek.
- A fűrészláncot tartsa élesen, tisztán és megkenve a jobb és biztonságosabb teljesítmény érdekében.
- A fűrészlánc élesítéskor kövesse a jelen felhasználói kézikönyvben található utasításokat.
- Ügyeljen rá, hogy a fogantyúk szárazak, tiszták, valamint olaj- és kenőanyagmentesek legyenek.
- A csavarokat és anyacsavarokat tartsa szorosan.

4. Szervizelők csak az eredetileg megegyező cserealkatrészeket használjon.

5. Használaton kívül a láncfűrész a következő módon tárolja:

- Magasan vagy elzárt helyen, ahol gyermekek nem érhetik el.
- Száraz helyen.
- Felszerelt vezetősínnel és láncvédő tokkal (9).

A vezetősín karbantartása

A vezetősín maximális élettartamának eléréséhez a következő karbantartási munkák elvégzése ajánlott. A gép tárolása előtt vagy ha a sín, ill. a lánc szennyezettnek tűnik, a sint mindig meg kell tisztítani.

A lánc eltávolításakor a vezetősínt mindig meg kell tisztítani.

A vezetősínek tisztítása:

1. Távolítsa el a lánc burkolatát, a sínt és a láncot. (lásd az ÖSSZESZERELÉS című fejezetet)
2. Drótkéfével, csavarhúzóval vagy egyéb hasonló, erre alkalmas eszközzel távolítsa el a maradványokat a vezetősínből. (Lásd Q. ábrát)
3. Győződjön meg róla, hogy alaposan letisztította az olajjal érintkező felületeket.

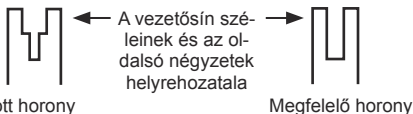
A láncot (7) és a megvezető sínt (6) az alábbi esetekben kell karbantani:

- A fűrész egy oldalon vagy a saroknál vág.
- A fűrész erővel kell áttolni a vágáshoz.
- Nem megfelelő mennyiségű olaj érkezik a sínhez és a láncához.

A lánc élesítésekor mindig ellenőrizze a vezetősín állapotát. Ha a vezetősín kopott, az a lánc sérüléséhez és vágási nehézségekhez vezet.

Használat és a gép hálózati áramellátásának megszüntetése után mindig távolítsa el a fűrészport a vezetősínről és a lánckerék furatából.

Ha a vezetősín teteje egyenetlen, egy lapos reszelő segítségével reszelje szögletesre a sarkokat és az oldalfalakat.



Cserélje ki a vezetősínt, ha a horony elkopott, ha a vezetősín elhajlott vagy megrepedt, vagy ha a síneknél túlzott felmelegedés vagy zaj lép fel. Ha cseréire van szükség, kizárólag a fűrészhez alkalmas, a javítási alkatrészek listájában vagy a lánccsere elhelyezett matricán megjelölt vezetősínt használjon.

A fűrészlánc és a vezetősín cseréje/megfordítása

A fűrészláncot akkor kell kicserélni, ha az élek már túl használtak a fenéshez, vagy amikor a lánc elszakad. Csak a jelen felhasználói útmutatóban jelzett cseréláncot használja.

A kopott vagy sérült vezetősín veszélyes lehet, mert tönkretelheti a fűrészláncot és megnehezítheti a vágást. Ezután illesse fel a feszítő zárószerveket (23) az új sínre a csavar áramutató járásával megegyező irányba történő megszorításával. A zárószerveket nyúlványát (a) a sín furatába kell illeszteni. (Lásd R. ábrát)

A FÜRÉSZLÁNC ÉLEZÉSE

FIGYELMEZTETÉS: Szervizelés előtt távolítsa el az akkumulátort a fűrészből.

Áramütés vagy a mozgó láncsal való érintkezés esetén súlyos vagy végzetes sérülések keletkezhetnek.

A lánc vágóéle éles. Használjon védőkesztyűt a lánc kezelése során.

Tartsa a fűrészláncot élesen. Fűrészre gyorsabban és biztonságosabban fog vágni. A tompa fűrészlánc a lánckerék, a vezetősín, a fűrészlánc és a motor túlzott kopását okozhatja. Ha erőltetnie kell a fűrészláncot, hogy belevágjon a fába, és a vágás csak fűrészport

eredményez néhány nagyobb darabbal, akkor a fűrészlánc tompa.

A LÁNCKERÉK KENÉSE


FIGYELMEZTETÉS: Az eszközök karbantartása vagy javítása közben viseljen erős kesztyűt.

Mielőtt az eszközön bármilyen karbantartási vagy javítási munkát végezne, mindig távolítsa el az akkumulátort a fűrészből.

MEGJEGYZÉS: Nem szükséges eltávolítani a láncot vagy a sínt a lánckerék kenéséhez.

1. Tisztítsa meg a vezetősínt és a lánckeréket.
2. Használjon kenőpisztolyt, illesse be a pisztoly hegyét a kenőrésbe, és addig fecskendezze be a kenőanyagot, míg az megjelenik a lánckerék hegyének külső szélén. (Lásd S. ábrát)
3. A lánckerék megfordításához oldja ki a lánc zárószerveit, majd húzza kézzel a láncot addig, amíg a lánckerék még kenésre váró oldala szintbe nem kerül a kenőnyílással. Ismétlje meg a kenési eljárását.

KÖRNYEZETVÉDELME

 A leselejtezett elektromos készülékek nem dobhatók ki a háztartási hulladékkal. Ha van a közelben elektromos hulladék gyűjtő udvar, vigye oda a készüléket. Az újrahasznosítási lehetőségekről tájékozódjon a helyi hatóságoknál vagy a kereskedőnél.

HIBAEHÁRÍTÁS

Ha az Ön elektromos kéziszerszáma nem működik kifogástalanul, a következő táblázatban kikeresheti a megfelelő hibatüneteket, azok lehetséges okait és az elhárításhoz szükséges intézkedéseket. Ha a táblázat segítségével nem tudja behatárolni és elhárítani a hibát, forduljon a szervizműhelyéhez. **Figyelem: A hibakeresés előtt kapcsolja ki az elektromos kéziszerszámot és vegye ki belőle az akkumulátort.**

Tünet	Lehetséges okok	Lehetséges megoldás
A láncfűrész nem működik.	Lemerült az akkumulátor. Hibás biztosíték.	Töltse fel az akkumulátort. Cserélje ki a biztosítékot.
A láncfűrész megszakítások kal működik.	Túlmelegedés Túl nagy nyomást használ a vágáshoz. Laza csatlakoztatás. Belső hibás érintkezés. A be-/kikapcsoló meghibásodott.	Helyezze a gépet egy hűvös, jól szellőző helyre, és várja meg a lehűlését. Valamivel kisebb nyomást használjon a vágáshoz. Vegye fel a kapcsolatot a szervizképviselővel. Vegye fel a kapcsolatot a szervizképviselővel. Vegye fel a kapcsolatot a szervizképviselővel.
A fűrészlánc száraz.	Nincs olaj az olajtartályban. A olajtartálysapka szellőzője eldugult. Az olajkifolyó csatorna eldugult.	Az olaj utántöltése. Tisztítsa meg a olajtartálysapkát. Tisztítsa meg az olajkifolyó csatornát.
Lánc/lánctartó rúd túlmelegedése.	Nincs olaj az olajtartályban. A olajtartálysapka szellőzője eldugult. Az olajkifolyó csatorna eldugult. A lánc túlságosan meg van feszítve. A fűrészlánc tompa.	Az olaj utántöltése. Tisztítsa meg a olajtartálysapkát. Tisztítsa meg az olajkivezető nyílást. Állítsa be a rögzítógombot. Élesítse meg vagy cserélje ki a fűrészláncot.
A láncfűrész beleszakít az anyagba, rezgésbe jön, vagy nem fűrészeli helyesen.	A lánc feszültsége túl alacsony. A fűrészlánc tompa. A fűrészlánc elkopott. A fűrészfogak a hibás irányba mutatnak.	Állítsa be a lánc feszültségét. Élesítse meg vagy cserélje ki a fűrészláncot. Cserélje ki a fűrészláncot. Szerelje fel helyesen a fűrészláncot.

136

MEGFELELŐSÉGI NYILATKOZAT

A gyártó:
Positec Germany GmbH
Grüner Weg 10, 50825 Cologne, Germany

Kijelenti, hogy a termék:
Leírás **Akkumulátoros lánc- és hosszabbító rudas fűrész**
Típus **WG322E WG322E.9 WG323E WG323E.9 (3 - a gép, azaz a láncos és hosszabbító rudas fűrész rendeltetése)**
Rendeltetés **Fa vágása**

Megfelel a következő irányelveknek,
2006/42/EC 2014/30/EU
2011/65/EU
2000/14/EC módosítva: 2005/88/EC

Tanúsítási szervezet
Név: Intertek Deutschland GmbH (tanúsítási szervezet 0905)
Cím: Stangenstraße 1, 70771 LEINFELDEN-ECHTERDINGEN
Tanúsítvány száma:: 17SHW1086-01 (WG322E WG322E.9) 17SHW1166-01 (WG323E WG323E.9)

WG322E WG322E.9
2000/14/EC módosítva: 2005/88/EC:
- Megfelelőség-ellenőrző eljárás a **V függelék értelmében**

- Mért hangerő-szint **94.7 dB(A)**
- Garantált hangerő-szint **96 dB(A)**

WG323E WG323E.9
2000/14/EC módosítva: 2005/88/EC:
- Megfelelőség-ellenőrző eljárás a **V függelék értelmében**
- Mért hangerő-szint **95.2 dB(A)**
- Garantált hangerő-szint **96 dB(A)**

Az alábbi normáknak:
EN 60745-1 EN 60745-2-13
EN ISO 3744 EN 55014-1
EN 55014-2
Az EN ISO11680-1 alkotórészei

A műszaki dokumentáció összeállítására jogosult személy,
Név: Marcel Filz
Cím: Positec Germany GmbH, Grüner Weg 10, 50825 Cologne, Germany



2018/03/09
Allen Ding
Helyettes főmérnöke, Tesztelés és minősítés
Positec Technology (China) Co., Ltd.
18, Dongwang Road, Suzhou Industrial Park, Jiangsu 215123, P. R. China

Akkus láncfűrész

HU

AVERTISMENTE GENERALE DE SIGURANȚĂ PENTRU UNELTE ELECTRICE



AVERTISMENT Citiți toate avertismentele de siguranță și toate instrucțiunile. Dacă nu respectați toate avertismentele și instrucțiunile de mai jos, există riscul electrocutării, incendiului și/sau al accidentării grave.

Păstrați toate avertismentele și instrucțiunile pentru consultări ulterioare.

Termenul „unealtă electrică” din avertismente se referă la o unealtă electrică alimentată de la rețeaua de energie electrică (prin cablu) sau la o unealtă electrică alimentată de la un acumulator (fără cablu).

1. SIGURANȚA ZONEI DE LUCRU

- Mentineți zona de lucru curată și bine iluminată.** Zonele de lucru în dezordine și întunecoase favorizează accidentele.
- Nu utilizați uneltele electrice în atmosfere explozive, de exemplu în prezența unor lichide, gaze sau praf inflamabile.** Uneltele electrice provoacă scântei ce pot aprinde pulberea sau vaporii.
- Asigurați-vă că nu sunți în apropiere persoane și copiii în timpul funcționării unei unelte electrice.** Distragerea atenției poate duce la pierderea controlului uneltei.

2. SIGURANȚA ELECTRICĂ

- Fișele uneltei electrice trebuie să se potrivească perfect în priza de alimentare.** Nu modificați niciodată ștecherul. Nu folosiți niciun adaptor pentru uneltele electrice cu împământare. Utilizarea ștecherelor nemodificate în prize corespunzătoare va reduce riscul electrocutării.
- Evitați contactul fizic cu suprafețe cu legătură la pământ, cum ar fi țevi, radiatoare, mașini de gătit sau frigidere.** Riscul electrocutării este mai mare în cazul în care corpul dumneavoastră vine în contact cu suprafața împământată.
- Nu expuneți uneltele electrice la ploaie sau la umiditate.** Dacă intră apă în unealta electrică, riscul electrocutării este mai mare.
- Nu deteriorați cablul de alimentare.** Nu folosiți niciodată cablul pentru transportarea, tragerea sau scoaterea din priză a uneltei electrice. Păstrați cablul de alimentare la distanță de căldură, ulei, margini ascuțite sau părți mobile. Cablurile deteriorate sau încurcate măresc riscul electrocutării.
- Când folosiți unealta electrică în exterior, utilizați un prelungitor potrivit pentru utilizarea în exterior.** Utilizarea unui cablu potrivit pentru uzul în exterior reduce riscul electrocutării.
- Dacă utilizarea uneltei electrice într-un loc umed nu poate fi evitată, folosiți o alimentare protejată cu dispozitiv de curent rezidual (RCD).** Folosirea unui dispozitiv RCD reduce riscul electrocutării.

3. SIGURANȚA PERSONALĂ

- Fiți concentrat, urmăriți ceea ce faceți și dați dovadă de simț practic când folosiți o unealtă electrică.** Nu folosiți o unealtă electrică dacă sunteți obosit sau sub influența drogurilor, a alcoolului sau a medicamentelor. O clipă de neatenție în timpul funcționării uneltei electrice poate duce la accidentări personale grave.
 - Folosiți echipament personal de protecție.** Purtați întotdeauna ochelari de protecție. Echipamentele de protecție precum masca de protecție contra prafului, încălțăminte cu talpă antiderapantă, casca sau protecția pentru urechi vor reduce riscul accidentărilor, utilizate în mod corespunzător.
 - Preveniți punerea accidentală în funcțiune.** Asigurați-vă că întrerupătorul se află în poziția de oprire înainte de a face conectarea la sursa de alimentare și/sau la acumulator, înainte de a ridica sau a transporta unealta. Transportarea uneltelor electrice ținând degetul pe întrerupător sau alimentarea acestora cu întrerupătorul pornit poate duce la accidentări.
 - Scoateți orice cheie de reglare sau cheie de puițe înainte de a porni unealta electrică.** O cheie de puițe sau o altă cheie rămasă prinsă de o componentă rotativă a uneltei poate duce la rănirea personală.
 - Păstrați un echilibru corect.** Mențineți-vă permanent echilibrul și sprijiniți-vă ferm pe picioare. Acest lucru permite un control mai bun al uneltei electrice în situații neprevăzute.
 - Îmbrăcați-vă corespunzător.** Nu purtați îmbrăcăminte prea largă sau bijuterii. Nu vă apropiați părul, hainele sau mânușile de componentele mobile. Hainele prea largi, bijuteriile și părul lung se pot prinde în piesele mobile.
 - Dacă sunt furnizate accesoriile pentru conectarea unor dispozitive de aspirare și colectare a prafului, asigurați-vă că acestea sunt montate și folosite corect.** Folosirea collectorului de praf poate reduce riscul accidentărilor din cauza prafului.
- ## **4. UTILIZAREA ȘI ÎNȚETINEREA UNELTELOR ELECTRICE**
- Nu forțați unealta electrică.** Folosiți unealta electrică potrivit pentru aplicație. Cu unealta electrică potrivită, veți lucra mai bine și mai în siguranță, la viteza pentru care a fost concepută.
 - Nu folosiți unealta electrică dacă nu o puteți porni sau opri de la întrerupător.** Orice unealtă electrică ce nu poate fi acționată de la întrerupător este periculoasă și trebuie reparată.
 - Scoateți ștecherul din sursa de curent și/sau scoateți bateria din unealta electrică înainte de a efectua reglaje, de a schimba accesoriile sau de a depozita uneltele electrice.** Astfel de măsuri de siguranță reduc riscul pornirii accidentale a uneltei electrice.
 - Nu lăsați uneltele electrice la îndemâna copiilor și nu permiteți persoanelor ce nu știu să le manevreze și nu cunosc**

instrucțiunile să acționeze aceste unelte.

Uneltele electrice sunt periculoase în mâinile utilizatorilor neinstruiți.

- e) Efectuați întreținerea uneltelor electrice.** Verificați posibila aliniere incorectă sau posibila blocare a componentelor mobile, deteriorarea componentelor sau orice alte situații care pot afecta funcționarea unelei electrice. Dacă unealta electrică este deteriorată, reparați-o înainte de utilizare. Multe accidente sunt provocate din cauza întreținerii incorecte a uneltelor.
- f) Uneltele de tăiere trebuie menținute ascuțite și curate.** Riscul blocării uneltelor de tăiere cu margini ascuțite întreținute corect este mai mic și acestea sunt mai ușor de controlat.
- g) Folosiți unealta electrică, accesoriile, piesele etc. conform acestor instrucțiuni, luând în considerare condițiile de lucru și operația de efectuat.** Folosirea unelei electrice pentru operații diferite de cele pentru care a fost concepută poate duce la accidentare.

5. UTILIZAREA ȘI ÎNTREȚINEREA UNELTELOR CU ACUMULATOR

- a) Efectuați reincărcarea numai cu încărcătorul specificat de producător.** Un încărcător adecvat pentru un anumit tip de acumulator poate prezenta risc de incendiu dacă este utilizat cu alt tip de acumulator.
- b) Folosiți mașinile electrice numai cu acumulatorii special destinați acestora.** Utilizarea oricăror altor acumulatori poate prezenta risc de rănire și de incendiu.
- c) Când nu folosiți acumulatorul, țineți-l la distanță de obiecte metalice precum agrafe de birou, monede, chei, cuie, șuruburi sau alte obiecte metalice mici, ce pot constitui o legătură între cele două borne.** Un scurtcircuit al bornelor acumulatorului poate duce la arsuri sau incendiu.
- d) În condiții necorespunzătoare de utilizare, se poate prelinge lichid din acumulator; evitați contactul. În caz de producere accidentală a contactului, clătiți bine cu apă. Dacă v-a intrat lichid în ochi, consultați imediat medicul.** Lichidul expulzat din acumulator poate cauza iritații sau arsuri.

6. SERVICE

- a) Service-ul unelei electrice trebuie efectuat de persoane calificate, folosind doar piese de schimb identice.** Acest lucru va asigura folosirea în continuare a unelei electrice în siguranță.

INSTRUCȚIUNI PRIVIND SIGURANȚA DE FERĂSTRĂILE CU LANȚ

- 1. Mențineți o distanță de siguranță față de ferăstrău atunci când acesta este în funcțiune. Înainte de a porni ferăstrăul**

asigurați-vă că lanțul de ferăstrău nu atinge vre-un obiect. În timpul lucrului cu un ferăstrău cu lanț, într-un moment de neatenție, îmbrăcămintea sau părți ale corpului pot fi prinse de lanțul de ferăstrău.

- 2. Prindeți ferăstrăul cu lanț ținându-vă întotdeauna mâna dreaptă pe mânerul posterior iar mâna stângă pe mânerul anterior.** Fixarea ferăstrăului cu lanț în poziție corporală inversă mărește pericolul de accidente și de aceea nu este permisă.
- 3. Țineți scula electrică numai de suprafețele de prindere izolate, deoarece ferăstrăul cu lanț poate intra în contact cu conductorii electrici acsuși.** Contactul ferăstrăului cu lanț cu un conductor aflat sub tensiune poate pune sub tensiune componentele metalice ale sculei electrice și duce la electrocutare.
- 4. Purtați ochelari de protecție. Se recomandă și utilizarea unor echipamente de protecție pentru cap, mâini, gambe și picioare.** Îmbrăcămintea de protecție potrivită reduce pericolul de rănire provocată de așchiile aflate în zbor și de atingerea involuntară a lanțului de ferăstrău.
- 5. Nu lucrați cu ferăstrăul cu lanț direct pe un copac.** În cazul utilizării ferăstrăului cu lanț direct pe un copac există pericol de rănire.
- 6. Asigurați-vă întotdeauna o poziție stabilă și folosiți ferăstrăul cu lanț numai atunci când stați pe o suprafață tare, sigură și netedă.** Un teren alunecos sau suprafețe de sprijin instabile, cum ar fi o scară, pot duce la pierderea echilibrului sau a controlului asupra ferăstrăului cu lanț.
- 7. Țineți seama de faptul că, în momentul tăierii unei crengi tensionate, aceasta poate fi azvârlită înapoi.** Atunci când tensiunea acumulată în fibrele lemnoase este eliberată, creanga întinsă poate lovi operatorul și/sau smulge de sub controlul acestuia ferăstrăul cu lanț.
- 8. Fiți extrem de precauți la tăierea deșisului și a arborilor tineri.** Materialul subțire se poate încurca în lanțul de ferăstrău și vă poate lovi sau vă poate face să vă pierdeți echilibrul.
- 9. Transportați ferăstrăul cu lanț în stare oprită, ținându-l de mânerul frontal iar lanțul de ferăstrău să fie îndreptat în direcție opusă corpului dumneavoastră. În vederea transportului sau al depozitării ferăstrăului cu lanț placa de protecție trebuie să fie întotdeauna montată.** Manevrarea atentă a ferăstrăului cu lanț reduce probabilitatea unei atingeri accidentale a lanțului de ferăstrău aflat în mișcare.
- 10. Respectați instrucțiunile privind ungerea, întinderea lanțului de ferăstrău și schimbarea accesoriilor.** Un lanț de ferăstrău întins sau uns necorespunzător riscă să se rupă sau să genereze recul.
- 11. Mențineți mânerul uscat, curat și ferți-le de ulei și unsoare.** Mânerele unsoare, murdărite cu ulei, alunecă din mână și duc la pierderea controlului.

12. Tăiați numai lemn. Folosiți ferăstrul cu lanț numai pentru acele operații pentru care este destinat. Exemplu: nu folosiți ferăstrăul cu lanț pentru a tăia material plastic, zidărie sau materiale de construcții care nu sunt confecționate din lemn. Utilizarea ferăstrăului cu lanț pentru executarea operațiilor neconforme destinației poate duce la situații periculoase.

CAUZELE ȘI EVITAREA UNUI REcul

Reculul se poate produce, când vârful șinei de ghidare atinge un obiect sau când lemnul se încovoieie iar lanțul de ferăstrău se blochează în tăietură.

În anumite cazuri, o atingere cu vârful șinei poate provoca o reacție neașteptată, direcționată spre spate, la care șina de ghidare să fie aruncată în sus și spre operator. Blocarea lanțului de ferăstrău la marginea superioară a șinei de ghidare poate arunca rapid înapoi șina, spre operator.

Orice astfel de reacție vă poate face să pierdeți controlul asupra ferăstrăului și eventual să vă răniți grav. Nu vă bazați exclusiv pe dispozitivele de siguranță montate pe ferăstrăul cu lanț. În calitate de utilizator al unui ferăstrău cu lanț ar trebui să luați anumite măsuri, pentru a putea lucra fără accidente și fără a vă răni.

Reculul este consecința utilizării necorespunzătoare sau greșite a sculei electrice. El poate fi împiedicat prin măsuri preventive adecvate, asemenea celor descrise în cele ce urmează:

- **Apucați ferm ferăstrăul cu ambele mâni, cuprinzând cu toate degetele mânerul ferăstrăului cu lanț. Aduceți-vă corpul și brațele într-o astfel de poziție încât să puteți contracara forțele de recul.** Dacă se adoptă măsuri adecvate, operatorul poate stăpâni forțele de recul. Nu lăsați niciodată din mână ferăstrăul cu lanț.
- **Evitați adoptarea unei poziții corporale anormale și nu tăiați la o înălțime care depășește nivelul umerilor.** Astfel veți evita contactul involuntar cu vârful șinei și veți putea controla mai bine ferăstrăul cu lanț în situații neașteptate.
- **Folosiți întotdeauna șinele de schimb și lanțurile de ferăstrău prescrise de producător.** Șinele și lanțurile de ferăstrău de schimb necorespunzătoare pot duce la ruperea lanțului sau la reculul.
- **Respectați instrucțiunile producătorului privitoare la ascuțirea și întreținerea lanțului de ferăstrău.** Limitatoarele de adâncime prea joase măresc probabilitatea de producere a reculului.

RISURI REZIDUALE

Chiar și atunci când o mașină electrică este utilizată conform instrucțiilor, pot apare riscuri reziduale care

nu pot fi prevenite. În funcție de tipul și de construcția mașinii electrice, dvs. trebuie să țineți seama de următoarele riscuri potențiale:

- Contactul direct cu dinții neprotejați ai lanțului (risc de tăiere)
- Accesul direct la lanțul de tăiere aflat în rotație (risc de tăiere)
- Mișcarea neașteptată și abruptă a șinei de ghidare a lanțului (risc de tăiere)
- Aruncarea unor bucăți desprinse din lanț (risc de tăiere/întepare)
- Aruncarea unor așchii desprinse din materialul supus tăierii
- Contactul uleiului de ungere a lanțului cu pielea dvs.
- Pierderea auzului din cauza neputării căștilor de protecție auditivă în timpul lucrului

AVERTISMENTE PRIVIND PROTECȚIA MUNCII LA FERĂSTRĂUL ELECTRIC CU FĂLCI ȘI CATARG DE PRELUNGIRE

1. Este interzisă utilizarea uneielctrice dacă operatorul ei este obosit, bolnav sau sub influența alcoolului sau a drogurilor.
2. Pentru a reduce riscurile, vă rugăm ca pe tot parcursul operațiunilor de tăiere să țineți la o distanță sigură trecătorii.
3. Țineți cont de pozițiile riscante de lucru și de riscul de-a fi izbit de către crengile desprinse prin tăiere sau de crengile ajunse la sol și care ricoșează de acolo. Tăiați crengile în etape.
4. Păstrați un echilibru perfect în timpul operațiunii de tăiere. Utilizați hamul atașat catargului.
5. Țineți mașina la o distanță sigură de firele electrice aeriene.

AVERTISMENTE DE SIGURANȚĂ PENTRU ACUMULATOR

- a) **Nu demontați, deschideți sau rupeți celulele sau acumulatorul.**
- b) **Nu scurtcircuitați un acumulator. Nu depozitați acumulatorul la întâmplare într-o cutie sau într-un sertar unde s-ar putea scurtcircuita între ele sau prin materiale conductoare.** Când acumulatorul nu este utilizat, țineți-l la distanță de alte obiecte metalice, precum agrafele de birou, monede, chei, cuie, șuruburi sau alte obiecte metalice mici, care pot crea contact între cele două borne. Scurtcircuitarea bornelor acumulatorului poate cauza arsuri sau incendii.
- c) **Nu expuneți acumulatorul la căldură sau foc. Evitați depozitarea în lumina directă a soarelui.**

- d) Nu supuneți acumulatorul la șocuri mecanice.
- e) În cazul scurgerii acumulatorului, aveți grijă ca lichidul să nu intre în contact cu pielea sau ochii. În cazul contactului, spălați zona afectată cu apă din belșug și solicitați asistență medicală.
- f) Consultați medicul imediat dacă ați înghițit o celulă sau un acumulator.
- g) Mențineți acumulatorul curat și uscat.
- h) Ștergeți bornele acumulatorului cu o cârpă curată și uscată dacă se murdăresc.
- i) Acumulatorul trebuie încărcat înainte de utilizare. Consultați întotdeauna aceste instrucțiuni și utilizați procedura de încărcare corectă.
- j) Nu lăsați acumulatorul la încărcat dacă nu îl utilizați.
- k) După perioade extinse de depozitare, poate fi necesară încărcarea și descărcarea acumulatorului de mai multe ori pentru a obține performanțe maxime.
- l) Acumulatorul oferă cele mai bune performanțe când este operat la temperatura normală a camerei (20°C ± 5°C).
- m) Când depuneți la deșeurile acumulatorile, păstrați separat acumulatorile unor sisteme electrochimice diferite.
- n) Reîncărcați folosind doar încărcătorul specificat de WORX. Nu utilizați niciun alt încărcător în afară de cel conceput specific pentru utilizarea cu acest echipament. Un încărcător destinat unui anumit tip de acumulator poate genera riscul de izbucnire a incendiilor dacă este utilizat cu un alt acumulator.
- o) Nu utilizați acumulatori care nu sunt concepuți pentru utilizarea cu acest echipament.
- p) Nu lăsați acumulatorul la îndemâna copiilor.
- q) Păstrați documentația originală a produsului pentru consultări ulterioare.
- r) Scoateți acumulatorul din echipament dacă nu îl utilizați.
- s) Depuneți acumulatorul la deșeurile în mod corespunzător.

PĂSTRATI ACESTE INSTRUCȚIUNI!

Instrucțiuni cu privire la tehnicile corecte de doborâre a copacilor, de tăiere a crengilor și de debitare a trunchiului

1. Doborârea copacilor

Dacă în zonă există două sau mai multe persoane, care simultan debitează bușteni și doboară copaci, distanța dintre persoanele care debitează bușteni și care doboară copaci ar trebui să fie cel puțin de două ori mai mare decât înălțimea copacului care trebuie doborât. La doborârea copacilor aveți grijă să nu puneți în pericol alte

persoane, să nu atingeți linii electrice și să nu produceți pagube materiale. Dacă un copac atinge o linie electrică, trebuie înștiințată neîntârziat asupra acestui fapt întreprinderea furnizoare de energie.

La lucrările de tăiere în pantă operatorul ferăstrăului cu lanț trebuie să staționeze în amonte de copacul care trebuie doborât, pentru că, după tăiere, copacul se va rostogoli sau va aluneca probabil în aval.

Înainte de tăiere trebuie stabilită o cale de retragere, iar dacă este necesar, aceasta se va elibera de obstacole. Calea de retragere trebuie extinsă atât înapoi cât și în diagonală față de direcția așteptată de cădere a copacului doborât, vezi fig. 1.

În scopul determinării direcției de cădere a copacului, înainte de tăierea acestuia trebuie avute în vedere înclinarea naturală a copacului, poziția crengilor mai mari și direcția vântului.

Înainte de tăiere din copac trebuie îndepărtată mizeria, pietrele, scoarța care s-a desprins, cuiele, clemele și sârma.

2. Tehnica creștării

Faceți o creștătură în trunchi cu adâncimea egală cu 1/3 din diametrul trunchiului, creștând perpendicular pe direcția de cădere a copacului, vezi fig. 1. Execuția mai întâi creștătura orizontală inferioară (W). Astfel veți evita blocarea lanțului de ferăstrău sau a șinei de ghidare la executarea celei de a doua creștături (X).

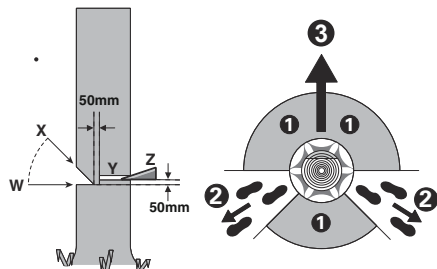
3. Tăietura de doborâre

Faceți tăietura de doborâre (Y) cu cel puțin 50 mm mai sus decât tăietura orizontală de creștere prezentată în figura 1. Nu executați o tăietură de doborâre completă, ci doar atât de adâncă încât să mai rămână o legătură (adaos pentru doborâre), care să acționeze ca o balama. Astfel veți împiedica răsucirea copacului și căderea acestuia în direcție greșită. Nu tăiați complet marginea rămasă.

În momentul apropierii tăieturii de doborâre de margine, copacul ar trebui să înceapă să cadă. În cazul în care se pare acesta nu va cădea în direcția dorită sau se înclină înapoi iar lanțul de ferăstrău se blochează, întrerupeți tăierea și introduceți pene de lemn, material plastic sau aluminiu (Z) în linia de tăiere dorită, pentru deschiderea tăieturii și doborârea copacului (3).

Când copacul începe să cadă scoateți ferăstrăul din tăietură, opriți-l, puneți-l jos și părăsiți zona periculoasă folosind calea de retragere stabilită (2). Fiți atenți la crengile care cad și evitați să vă împiedicați. (Vezi Figura 1)

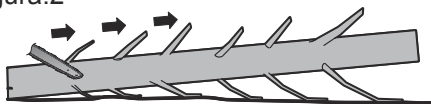
Figura. 1



4. Tăierea crengilor

Prin tăierea crengilor se înțelege tăierea de separare a crengilor copacului doborât. La tăierea crengilor, în primă etapă evitați crengile mai mari, îndreptate în jos, care sprijină copacul. Tăiați cioturile printr-o singură mișcare, vezi fig. 2. Crengile tensionate trebuie tăiate de jos în sus, pentru a evita prinderea și blocarea ferăstrăului.

Figura.2

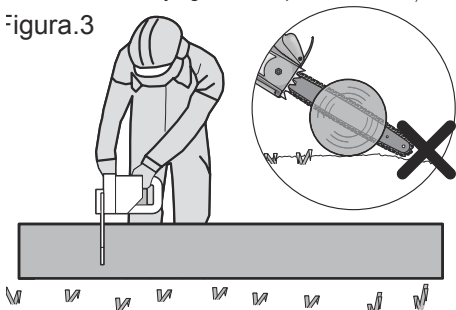


5. Debitarea trunchiului de copac

Prin aceasta se înțelege secționarea copacului doborât în mai multe părți. Asigurați-vă o poziție stabilă și aveți grijă să vă repartizați uniform greutatea corporală pe ambele picioare. Dacă este posibil, ar trebui să sprijiniți trunchiul de copac punând dedesubt crengi, grinzii sau pene. Respectați instrucțiunile simple pentru o tăiere ușoară cu ferăstrăul.

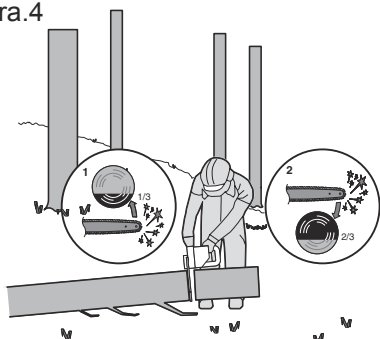
Dacă trunchiul se sprijină pe toată lungimea lui, vezi figura 3, se taie de sus în jos, evitând contactul cu solul, deoarece altfel se ajunge la uzura prematură a lanțului.

Figura.3



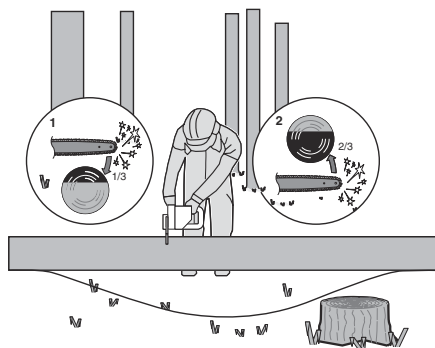
Dacă trunchiul este sprijinit doar la un singur capăt, vezi fig. 4, tăiați 1/3 din diametru de jos în sus (1). După această primă tăiere tăiați complet bușteanul printr-o tăiere efectuată de sus în jos, având grijă să întâlniți tăierea prealabilă (2), cea de jos în sus.

Figura.4



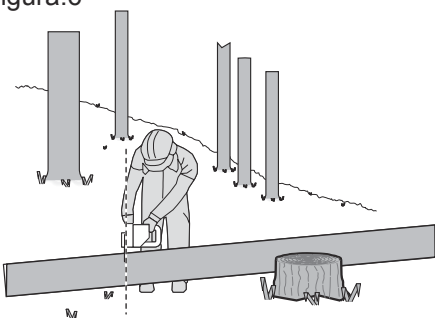
Dacă bușteanul se sprijină pe ambele capete, vezi figura 5, tăiați de sus 1/3 din diametru (1). Finalizați debitarea printr-o tăiere de jos în sus a diametrului rămas (cele 2/3 rămase) (1), având grijă să întâlniți tăietura de sus.

Figura.5





















Dacă debitați pe o pantă, aveți grijă să vă aflați amonte de buștean, vezi figura 6. Pentru a deține pe deplin controlul în momentul debitării complete, spre sfârșitul tăieturii reduceți presiunea de apăsare, fără a slăbi prinderea fermă a mânerelor ferăstrăului cu lanț. Aveți grijă ca lanțul de ferăstrău să nu atingă solul. După finalizarea tăierii așteptați ca lanțul de ferăstrău să se oprească complet înainte de a îndepărta ferăstrăul din locul de tăiere. Opiți întotdeauna motorul ferăstrăului cu lanț, înainte de a trece la copacul următor.

Figura.6



SIMBOLURI

	Pentru a reduce riscul de accidentări, utilizatorul trebuie să citească manualul de instrucțiuni.
	AVERTISMENT
	Purtați echipament de protecție pentru urechi
	Purtați echipament de protecție pentru ochi
	Purtați mască de protecție contra prafului
	Nu expuneți la umezeală
	Purtați cască de protecție
	Purtați mănuși de protecție
	Purtați încălțăminte de protecție
	Atenționare privind pericolul firelor electrice aeriene.
	Produsele electrice nu trebuie depuse la deșeurile împreună cu gunoiul menajer. Vă rugăm să depuneți produsele electrice la unitățile de reciclare existente. Consultați-vă cu autoritățile locale sau cu distribuitorul pentru sfaturi privind reciclarea.

 Li-Ion	Nu aruncați acumulatorii. Returnați acumulatorii consumați la punctul local de colectare sau reciclare.
	Nu ardeți
	Nu expuneți la ploaie sau apă
	Trebuie evitat contactul lamei de ghidare a lanțului cu diferite obiecte.
	Atingerea lemnului cu vârful lamei de ghidare poate proiecta brusc lama de ghidare a lanțului în sus și înapoi, fapt care poate duce la rănierea gravă a utilizatorului.
 	În timpul lucrului ferăstrăul cu lanț se ține cu ambele mâini!
	xINR18/65-y: Celule cilindrice de acumulator cu litiu-ion, cu diametrul maxim de 18 mm și înălțimea maximă de 65 mm; „x” reprezintă numărul de celule conectate în serie, gol în cazul unei (1) celule; „-y” reprezintă numărul de celule conectate în paralel, gol în cazul unei (1) celule.


LISTĂ DE COMPONENTE

1. MÂNER POSTERIOR
2. ÎNTRERUPĂTOR PORNIRE/OPRIRE
3. CAPACUL REZERVORULUI DE ULEI
4. MÂNER FRONTAL
5. APĂRĂTOARE DE MÂNĂ
6. LAMĂ DE GHIDARE
7. LANȚ DE FERĂSTRĂU
8. BUTON ROTATIV DE TENSIONARE A LANȚULUI
9. CAPACUL LANȚULUI
10. ACUMULATOR *
11. BUTON DE ELIBERARE A ACUMULATORULUI *
12. APĂRĂTOARE MÂNĂ POSTERIOARĂ
13. GHEARĂ DE AMORTIZARE
14. FEREASTRĂ NIVEL DE ULEI
15. BUTON DE BLOCARE
16. ROATĂ DE LANȚ
17. SIMBOL PENTRU DIRECȚIA DE DEPLASARE A LANȚULUI
18. DUZĂ DE ULEI
19. CLEMĂ DE PRINDERE PENTRU LAMA DE GHIDARE
20. GAURĂ PENTRU TENSIONAREA LAMEI DE GHIDARE
21. URECHI DE FIXARE A LAMEI DE GHIDARE
22. APĂRĂTOARE LAMĂ DE GHIDARE ȘI LANȚ ÎN CAZUL STOCĂRII/
TRANSPORTULUI*(TEACĂ)
23. PLACA DE TENSIONARE A LAMEI DE GHIDARE (VEZI FIGURA A)
24. MÂNER TIJĂ DE PRELUNGIRE*
25. BUTON DE BLOCARE*
26. BRAȚ DE BLOCARE*
27. TIJĂ INTERIOARĂ*
28. BUTON DE BLOCARE*
29. BRĂȚARĂ DE CONECTARE TIJĂ DE PRELUNGIRE*
30. BUTON DE DEBLOCARE PE MÂNERUL TIJEI DE PRELUNGIRE*
31. BUTON ON/OFF (PORNIT/OPRIT) PE MÂNERUL TIJEI DE PRELUNGIRE*
32. HAM DE SUSȚINERE*

* Nu toate accesoriile ilustrate sau descrise sunt incluse în pachetul de livrare standard.

DATE TEHNICE

Tip **WG322E WG322E.9 WG323E WG323E.9** (3 - denumirea mașinii electrice, respectiv a ferăstrăului cu lanț și tijă de prelungire)

	WG322E	WG322E.9	WG323E	WG323E.9
Tensiune	20V  Max**			
Lungimea lamei de ghidare	25cm			
Viteză lanț	3.8m/s			
Capacitate rezervor ulei	130ml			
Pas lanț	3/8"			
Număr de verigi de lanț	40			
Calibru pentru lanț	0.043"			
Tipuri de lanț aprobate	ES: 3/8.043-40E/ QIRUI : A0(T)-40E/ OREGON: 90PX040G			
Tipuri de șine de ghidare aprobate	ES: ES104SDEA041/ QIRUI : PO10-43SR(T) / OREGON: 104MLEA041			
Timp încărcare	5hrs			
Greutate (cu lanț și cu lamă)	2.8kg	2.4kg	4.6kg	4.2kg

**Tensiune măsurată în gol. Tensiunea inițială a acumulatorului atinge maximum 20 volți. Tensiunea nominală este de 18 volți.

ACCESORII

	WG322E	WG322E.9	WG323E	WG323E.9
Lanț de ferăstrău	1	1	1	1
Lama de ghidare	1	1	1	1
Apărătoare pentru transport	1	1	1	1
Catarg de prelungire (WA0166)	/	/	1	1
Încărcător (WA3760)	1	/	1	/
Acumulator (WA3551)	1	/	1	/
Ham de susținere	/	/	1	1

Vă recomandăm să achiziționați accesoriile de la același magazin de la care ați cumpărat unealta electrică. Consultați ambalajul accesoriului pentru detalii suplimentare. Personalul din magazin vă poate oferi asistență și sfaturi.

Ferăstrău cu lanț cu acumulator RO

INFORMAȚII PRIVIND ZGOMOTUL

	WG322E WG322E.9	WG323E WG323E.9
Presiune sonică ponderată	$L_{pA} = 87.9 \text{ dB(A)}$	$L_{pA} = 85.7 \text{ dB(A)}$
Putere acustică ponderată	$L_{wA} = 96 \text{ dB(A)}$	$L_{wA} = 96 \text{ dB(A)}$
$K_{pA} = 3.0 \text{ dB(A)}$		
Purtați echipament de protecție pentru urechi.		



INFORMAȚII DESPRE VIBRAȚII

Valori totale vibrații (sumă vectorială triaxială) determinată conform EN 60745:

Valoarea de emisie a vibrației $a_{hv} < 2.5 \text{ m/s}^2$	Incertitudinea $K = 1.5 \text{ m/s}^2$
---	--

Valoarea totală declarată a vibrațiilor poate fi utilizată pentru compararea unei unelte cu o alta și, de asemenea, poate fi utilizată în cazul unei evaluări preliminare a expunerii.

AVERTISMENT: Valoarea de emisie a vibrației în timpul folosirii efective a sculei electrice poate diferi de valoarea declarată în funcție de modulurile în care este folosită scula, ce depind de exemplele următoare și de variații ale modului de utilizare a sculei: Modul în care scula este folosită și tipul de materiale tăiate sau sfredelite.

Scula este în stare bună de funcționare și bine întreținută. Folosirea accesoriului corect pentru sculă și păstrarea acesteia în condiții bune.

Strângerea corespunzătoare a mânerelor și dacă se folosesc accesorii anti-vibrație.

Scula este folosită conform indicațiilor din fabrică și conform acestor instrucțiuni.

Această sculă poate cauza sindromul vibrație mână-braț dacă nu este folosită în mod corespunzător.

AVERTISMENT: Pentru a fi corectă, estimarea nivelului de expunere în condiții concrete de folosire trebuie să ia în considerare toate părțile ciclului de operare cum ar fi de câte ori scula este oprită și cât timp este pornită dar nu lucrează. Acest lucru poate reduce semnificativ nivelul de expunere de-a lungul perioadei de lucru totale.

Ajută la micșorarea riscului de expunere la vibrații. Utilizați ÎNTOTDEAUNA dâți, burghie și pânze ascuțite

Păstrați unealta electrică în conformitate cu aceste instrucțiuni și aveți grijă de lubrifierea ei corespunzătoare (dacă e cazul).

Dacă această unealtă electrică este utilizată în mod constant, atunci achiziționați și accesorii anti-vibrație. Planificați-vă astfel programul de lucru încât uneltele electrice cu vibrații mari să fie utilizate de-a lungul mai multor zile.

UTILIZARE CONFORM DESTINAȚIEI

Fierăstrăul este destinat tăierii copacilor, trunchiurilor de copaci, crengilor, traverselor din lemn, plăcilor de lemn etc. Se pot realiza tăieturi longitudinale sau transversale. Acest produs nu este adecvat pentru tăierea materialelor minerale.

ASAMBLAREA



AVERTISMENT! Nu introduceți acumulatorul înainte de asamblarea completă a unelei electrice. La manevrarea lanțului de ferăstrău purtați întotdeauna mănuși de protecție.

ASAMBLAREA LANȚULUI ȘI A LAMEI DE GHIDARE A LANȚULUI

1. Despachetați cu atenție toate componentele.
2. Așezați lanțul pe o suprafață solidă și orizontală.
3. Utilizați numai lanțuri originale WORX sau cele recomandate pentru lama de ghidare.
4. Treceți lanțul (7) prin fanta din jurul lamei de ghidare (6). Asigurați-vă că lanțul este montat în direcția corectă de rulare prin compararea lui cu pictograma lanțului de pe lama de ghidare sau comparându-l cu pictograma direcției lanțului (17) aflată pe corpul unelei electrice. Asigurați-vă că placa de tensionare a lamei (23) este orientată către exterior. (Vezi Figura A)
5. Potrivii lanțul pe pinionul de acționare (16), astfel încât șurubul de prindere (20) și cele două urechi de fixare a lamei (21), aflate pe clema de prindere a lamei (19) să intre în locașul aflat pe lama de ghidare (6). (Vezi Figura B1, B2)
6. Asigurați-vă că toate componentele sunt montate corespunzător. Asigurați-vă că ochii lanțului sunt așezați corect pe dinții roții de lanț (Vezi Figura C1). Evitați îngrămădirea lanțului și ieșirea acestuia din canelura lamei de ghidare, ilustrată în fig. C2. Dacă partea de ghidare a lanțului iese din canelură, apucați lanțul înainte de locul respectiv și așezați-l corect în canelură.

NOTĂ: Lanțul trebuie să se rotească liber, fără deformări.

7. Montați capacul lanțului (9) și fixați-o prin rotirea butonului rotativ de tensionare a lanțului (8) în direcția mersului acelor de ceasornic. (Vezi Figura D)



AVERTISMENT: lanțul nu este încă tensionat. Tensionarea lanțului se realizează conform instrucțiunilor din secțiunea „Tensionarea lanțului”. În acest moment, este necesară o verificare a lanțului, pentru a se asigura că acesta este tensionat în mod corespunzător.

ÎNȚINDEREA LANȚULUI DE FERĂSTRĂU (VEZI FIGURA E1, E2)

NOTĂ: Lanțurile noi pentru fierăstraie se vor întinde. Verificați frecvent tensiunea lanțului cu ocazia primei utilizări și strângeți lanțul (7) atunci când acesta se slăbește în jurul lamei de ghidare (6).



AVERTISMENT:

- Scoateți acumulatorul din unealtă înainte de a regla tensiunea lanțului ferăstrăului.
- Muchiile de tăiere ale lanțului sunt ascuțite. Utilizați mănuși de protecție când manevrați lanțul.
- Asigurați-vă că tensiunea lanțului rămâne în permanență la un nivel corespunzător. Este posibil ca un lanț slăbit să genereze accidente prin proiectarea fierăstrăului în direcția operatorului în momentul în care la contact cu lemnul. De asemenea, un lanț slăbit este posibil să sară din canelura lamei de ghidare. Acest lucru poate duce la vătămarea operatorului și la deteriorarea lanțului. Un lanț slăbit va conduce la uzarea rapidă a lanțului, lamei de ghidare și a pinionului.

1. Așezați ferăstrăul pe o suprafață plană.
2. Rotiți butonul de tensionare a lanțului (8) în sens invers acelor de ceasornic până când se obținere o strângere adecvată.

NOTĂ: Tensionarea lanțului crește în mod automat dacă butonul rotativ de tensionare a lanțului (8) este rotit în direcția mersului acelor de ceasornic. Mecanismul cu clichet previne slăbirea tensiunii lanțului.

3. Înclinați înainte ferăstrăul (Vezi Figura E1) până când lama de ghidare (6) este împinsă în sus. Acest procedeu va elimina jocul lanțului.
4. Strângeți complet butonul rotativ de tensionare a lanțului (8) prin rotirea lui în sensul mersului acelor de ceasornic.
5. Verificați cu atenție tensiunea setată de butonul automat de tensionare a lanțului. Se consideră că tensiunea corectă a lanțului a fost atinsă atunci când la mijlocul lamei de ghidare (6) lanțul (7) poate fi ridicat până la jumătatea înălțimii dintelui de acționare a lanțului. Această verificare trebuie efectuată cu o singură mână, lanțul trebuind să reziste și la greutatea mașinii așezate pe sol. (Vezi Figura E2)

NOTĂ: Se consideră că lanțul (7) este tensionat corespunzător dacă poate fi ridicat de pe lama de ghidare (6) fără ca dintele de acționare să sară de pe lama de ghidare (6).

NOTĂ: În timpul tăierii lanțul (7) se va întinde și-și va pierde tensiunea setată. Dacă apar jocuri la lanț, dezșurubați complet butonul de tensionare a lanțului (8) sau rotiți butonul de trei ori în direcția contrară mersului acelor de ceasornic, după care strângeți din nou butonul de tensionare a lanțului (8) pentru a reveni la setarea corectă a tensiunii lanțului prin repetarea pașilor 1-4 descriși mai sus.

ASAMBLAREA CATARGULUI DE PRELUNGIRE

(doar pentru modelele WG323E, WG323E.9)

Aliniați și introduceți mânerul tije de prelungire în ax. Pentru a-l fixa acolo, rotiți butonul de blocare în direcția mersului acelor de ceasornic. (Vezi Figura F1, F2)

NOTĂ: Asigurați-vă că axul este fixat bine în locașul lui.

MONTAREA TIJEI DE PRELUNGIRE PE MAȘINĂ (Vezi Figura G1)

Pașul 1: Aliniați și introduceți brățara de conectare a tije (29) în ferăstrăul cu lanț.

Pașul 2: Rotiți butonul de blocare (28) în direcția inversă mersului acelor de ceasornic pentru a fixa bine tija de prelungire în mașină.

NOTĂ: Înainte de a trece la utilizarea ferăstrăului cu lanț, verificați dacă tija de prelungire a fost fixată sigur în locașul ei.

DEMONTAREA TIJEI DE PRELUNGIRE (Vezi Figura G2)

Pașul 1: Rotiți butonul de blocare (28) în direcția mersului acelor de ceasornic pentru a-l slăbi și pentru a-l trage afară.

Pașul 2: Cuișați ferăstrăul pentru a deconecta tija de prelungire de la mașină.



AVERTISMENT!

• **La utilizarea acestui ferăstrău cu tijă de prelungire, asigurați-vă că înainte de utilizare a fost îndepărtat pachetul de acumuloare.**

Reglarea lungimii tije de prelungire

Ferăstrăul de tăiat la înălțime este dotat cu o tijă de prelungire care se poate extinde de la dimensiunea minimă a tije de 2m (închis complet) la lungimea maximă de 2.7m (extins complet).

Brațul de blocare (26) este utilizat la fixarea tije extinse într-o anumită poziție.

1. Pentru a extinde tija, slăbiți brațul de blocare conform figurii H. După slăbire, tija va culisa liber.
2. Trageți afară tija interioară până când ajungeți la lungimea de extindere dorită. Notă: Tija trebuie extinsă numai până la lungimea cu care se poate ajunge până la creanga destinată tăierii.
3. Pentru a bloca tija în această poziție, strângeți brațul de blocare conform figurii H.

LUBRIFICAREA

! IMPORTANT: când este livrat, fierăstrăul nu este umplut cu ulei. Este esențial să umpleți fierăstrăul cu ulei înainte de a-l utiliza. Pentru a evita deteriorarea excesivă a produsului, nu utilizați niciodată fierăstrăul fără ulei de lanț sau cu un rezervor de ulei gol.
NOTĂ: durata de viață a lanțului și capacitatea de tăiere a instrumentului depind de o lubrifiere optimă. Din acest motiv, lanțul este gresat în mod automat în timpul funcționării.

UMPLEREA REZERVORULUI DE ULEI:

! AVERTISMENT: Înainte de a reumple rezervorul de ulei, îndepărtați pachetul de acumuloare.

1. Așezați ferăstrăul pe o suprafață plană, cu capacul orificiului de umplere (3) cu ulei orientat în sus.
2. Curățați zona din jurul capacului orificiului de umplere cu ulei cu o cârpă, după care deșurubați capacul.

3. Adăugați ulei pentru gresarea lamei și a lanțului, până când rezervorul este plin.
4. Preveniți pătrunderea în rezervor a murdăriei sau a reziduurilor și puneți la loc capacul rezervorului (3), după care strângeți-l cu mâna până la blocare.

IMPORTANT: Pentru a permite aerisirea rezervorului de ulei, există o serie de canale de aerisire de mici dimensiuni, între capacul orificiului de umplere cu ulei și sită. Acestea au și rol de prevenire a scurgerilor. Când nu utilizați unealta, asigurați-vă că îl păstrați în poziție orizontală (cu capacul orificiului de umplere cu ulei (3) orientat în sus).

Este important să utilizați numai tipurile de ulei recomandate, pentru evita deteriorarea ferăstrăului (Grade: ISO VG32). Acesta se poate achiziționa din locația de unde ați cumpărat ferăstrăul sau în magazinul local de unelte electrice. Nu folosiți niciodată ulei vechi. Utilizarea unui ulei neaprobat va duce la anularea garanției.

Nu-l înghițiți. Dacă l-ați înghițit, chemați medicul neîntârziat. Feriți produsul de copii. Păstrați-l la distanță de sursele de căldură sau de flăcări deschise.

VERIFICAREA LUBRIFIERII AUTOMATE:

Funcționarea sistemului de lubrifiere automată a lanțului poate fi verificată pomind ferăstrăul (6) și ținându-l cu vârful îndreptat în direcția unui carton sau a unei hârtii de pe sol. Dacă apare o dăruă crescândă de ulei atunci rezultă că lubrifierea automată funcționează impecabil. Dacă uleiul nu este dozat în mod regulat, în ciuda faptului că rezervorul de ulei este plin, contactați un agent al serviciului de relații cu clienții WORX sau un agent de service autorizat WORX.

ATENȚIE: Nu atingeți solul cu lanțul, păstrați o distanță de siguranță de 30 cm.

FUNCȚIONAREA

1. ÎNAINTE DE A UTILIZA INSTRUMENTUL FĂRĂ FIR

AVERTISMENT! Încărcătorul și acumulatorul sunt concepute special pentru fi utilizate împreună, așadar nu încercați să utilizați alte dispozitive. Nu introduceți sau nu permiteți niciodată pătrunderea obiectelor metalice în conectorii încărcătorului sau acumulatorului, deoarece pot apărea defecțiuni de natură electrică și pericole. **NOTĂ:** Acumulatorul este NEÎNCĂRCAT și trebuie să îl încărcați o dată înainte de utilizare. Încărcătorul furnizat este compatibil cu acumulatorul litiu-ion montat în mașină. Nu utilizați un alt acumulator.

2. ÎNCĂRCAREA ACUMULATORULUI

Acumulatorul litiu-ion este protejat împotriva descărcării complete. Când acumulatorul este descărcat, mașina

este oprită cu ajutorul unui circuit de protecție. Într-un mediu cald sau după o utilizare intensă, acumulatorul se poate încălzi prea tare pentru a putea fi încărcat. Permiteți răcirea acestuia înainte de a-l reîncărca.

3. PENTRU SCOATEREA SAU INSTALAREA ACUMULATORULUI (Vezi Figura I1, I2, I3)

Apăsăți butonul de eliberare a acumulatorului pentru eliberarea acumulatorului din unealtă. După reîncărcare, introduceți acumulatorul în portul destinat acestuia. Este suficient să împingeți și să aplicați o ușoară presiune. Verificați dacă acumulatorul este fixat corespunzător.

NOTĂ: La scoaterea acumulatorului, țineți ferm de acesta pentru a evita căderea lui și rănierea.

4. PORNIRE/OPRIRE (VEZI FIGURA J)

ATENȚIE: Înainte de a trece la utilizarea acestei unelte fără fir, verificați pachetul de acumuloare. Utilizați numai acele pachete de acumuloare care sunt trecute în lista din secțiunea Accesorii.

Pentru a porni mașina, apăsați butonul de blocare (15), după care apăsați complet comutatorul de pornire/oprire (2) și mențineți-l în această poziție. Acum puteți elibera butonul de blocare.

Pentru a OPRI MAȘINA, eliberați comutatorul de pornire/oprire.

5. TĂIEREA

IMPORTANT: Este rezervorul plin cu ulei? Verificați înainte de lucru și regulat în timpul lucrului indicatorul (14) nivelului de ulei (Vezi Figura K1). Completați cu ulei când nivelul uleiului a ajuns la marginea inferioară a geamului de observare. Doza de ulei ajunge pentru aprox. 12 minute, în funcție de pauze și de intensitatea lucrului. Verificați întinderea lanțului în timpul tăierii la fiecare 10 minute.

- 1) Introduceți acumulatorul în instrument.
- 2) Asigurați-vă că secțiunea care urmează să fie tăiată nu se află pe pământ. Acest lucru previne contactul dintre lanț (7) și pământ atunci când se realizează tăierea. Atingerea pământului atunci când lanțul se află în mișcare este periculoasă și va conduce la tocirea lanțului.
- 3) Utilizați ambele mâini pentru a prinde ferm ferăstrăul. Utilizați întotdeauna mâna stângă pentru a prinde mânerul (4) frontal și mâna dreapta pentru a prinde mânerul (1) posterior. Mențineți o priză fermă. Toate degetele trebuie să se înfășoare în jurul mânerelor ferăstrăului. (Vezi Figura K2)
- 4) Asigurați-vă că fixați bine picioarele pe sol. Păstrați picioarele la același nivel cu umerii. Asigurați-vă că distribuiți greutatea în mod egal pe ambele picioare.
- 5) Când sunteți pregătit să tăiați, apăsați butonul de blocare (15) complet cu degetul mare de la mâna dreaptă și strângeți declanșatorul. Acest lucru va determina pornirea ferăstrăului. Eliberarea declanșatorului va determina oprirea ferăstrăului.

Asigurați-vă că fierăstrăul funcționează la viteză maximă înainte de a începe să tăiați.

- 6) Când începeți să tăiați, așezați cu atenție lanțul aflat în mișcare pe bucata de lemn. Lemnul trebuie să fie plasat cât mai aproape de corpul unelei electrice. Țineți ferm fierăstrăul pentru a evita ca acesta să sară sau să se deplaseze în lateral.
- 7) Ghidați ferăstrăul aplicând o presiune ușoară și nu exercitați o forță excesivă asupra acestuia, lăsându-l să lucreze liber. Motorul va lucra în suprasarcină și se poate arde. Motorul va va ajuta să finalizați lucrarea mai bine și în condiții de siguranță sporite dacă îl utilizați la viteză pentru care a fost construit.
- 8) Scoateți fierăstrăul din bucata de lemn tăiată cât timp acesta se află în continuare la viteză maximă. Opriti funcționarea fierăstrăului eliberând comutatorul de pornire/oprire (2). Asigurați-vă că fierăstrăul s-a oprit complet din funcționare înainte de a-l așeza jos.
- 9) Exersați pe niște bușteni inutili într-o zonă de lucru sigură pentru a vă deprinde cu o mișcare fluidă și cu o viteză de tăiere uniformă.

Mecanism de protecție împotriva reculului ale acestui fierăstrău

Acest fierăstrău este dotat cu un lanț și cu o bară de ghidare care permit reducerea la minim a reculului. Ambele componente reduc riscul de recul al lanțului. Cu toate acestea, există în continuare un oarecare risc de recul la folosirea acestui fierăstrău.

Următorii pași vor reduce riscul de recul.

- Utilizați ambele mâini pentru a prinde ferăstrăul în timp ce ferăstrăul funcționează. Mențineți o priză fermă. Degetele trebuie așezate în jurul mânerelor ferăstrăului.
- Mențineți toate elementele de siguranță pe ferăstrău. Asigurați-vă că funcționează corespunzător.
- Nu tăiați cu fierăstrăul deasupra capului sau peste nivelul umerilor.
- Mențineți-vă permanent echilibrul și sprijiniți-vă ferm pe picioare.
- Mențineți o poziție ușor către partea stângă a fierăstrăului. Acest lucru ajută la evitarea menținerii corpului aliniat cu lanțul.
- Nu lăsați vârful lamei de ghidare să intre în contact cu niciun obiect când lanțul de ferăstrău se mișcă.
- Nu încercați niciodată să tăiați două bucăți de lemn în același timp. Tăiați o singură bucată de lemn o dată.
- Nu introduceți vârful lamei de ghidare și nu efectuați tăieturi oblice (perforând lemnul utilizând vârful lamei).
- Aveți grijă la deplasarea lemnului sau la alte forțe care pot prinde lanțul de ferăstrău.
- Acordați atenție maximă când reluați o tăietură anterioară.
- Folosiți numai lanțul și bara de ghidare (6) cu caracteristici de reducere a reculului care au fost furnizate împreună cu acest fierăstrău.
- Nu utilizați niciodată un lanț de ferăstrău uzat sau slăbit. Mențineți lanțul de ferăstrău ascuțit cu tensiunea corespunzătoare.

Utilizarea în siguranță a fierăstrăului

1. Folosiți fierăstrăul numai după ce vă asigurați că aveți o poziție fermă a picioarelor.

2. Țineți fierăstrăul în partea dreaptă a corpului (Vezi Figura L).
3. Lanțul (7) trebuie să se rotească la viteză maximă înainte de a intra în contact cu lemnul.
4. Înainte de tăiere utilizați ghearele opritoare (13) pentru a sprijini ferăstrăul de lemn.
5. În timpul tăierii utilizați ghearele opritoare ca și punct de ridicare. (Vezi Figura M)
6. Nu utilizați fierăstrăul cu mâinile complet întinse, nu încercați să tăiați bucăți de lemn la care ajungeți cu dificultate și nu folosiți scări pentru a ajunge la aceste bucăți de lemn (Vezi Figura N).

Nu utilizați niciodată ferăstrăul cu lanț la o înălțime care depășesc înălțimea umărului dvs.

TĂIEREA LEMNULUI TENSIONAT (VEZI FIGURA O)



AVERTISMENT: Când tăiați o creangă aflată sub tensiune, acordați atenție maximă. Aveți grijă la reculul lemnului.

Când este eliberată tensiunea din lemn, creanga poate cauza reculul și lovi operatorul, ajungându-se la rănire gravă sau moarte.

Când tăiați butuci sprijiniți la ambele capete, începeți să tăiați de sus (Y) la aproximativ 1/3 de diametru (tăiere de sus) în buștean și apoi finalizați tăietura (Z) din partea de jos pentru a evita contactul ferăstrăului cu solul. Când tăiați butuci sprijiniți la un singur capăt, începeți tăietura de jos (Y) la aproximativ 1/3 de diametru (tăiere de jos) în buștean și finalizați tăietura de sus (Z) pentru a evita ruperea bușteanului sau blocarea unelei.

UTILIZAREA FERĂSTRĂULUI DE TĂIERE LA ÎNĂLȚIME (DOAR PENTRU MODELELE WG323E, WG323E.9)

Tăiere cu ajutorul hamului de susținere (Vezi Figura P1)

Catargul de prelungire este furnizat împreună cu un ham de susținere care asigură un sprijin suplimentar atunci când ferăstrăul Ferăstrău cu lanț trebuie ridicat în aer. Agățați hamul de catargul de prelungire și puneți hamul pe umăr. Acest ham frânează de multe ori impactul produs de căderea bruscă a ferăstrăului Ferăstrău cu lanț după finalizarea unei tăieri.

Tăierea cu ajutorul tije de prelungire

1. Introduceți acumulatorul în instrument.
2. Înainte de a tăia o creangă aflată la înălțime, repetați în gând pașii enumerați în capitolul "Scurtarea crengilor" și acordați o atenție sporită traseului probabil parcurs de creanga aflată în cădere.



AVERTISMENT: Nu staționați direct sub crengile care urmează a fi tăiate. Țineți la o distanță considerabilă trecătorii. Nu vă urcați pe scară sau pe alte suprafețe instabile în timp ce utilizați unealta la tăiere. Nu utilizați unealta în apropierea conductoarelor și a cablurilor electrice sau telefonice. Păstrați o distanță de minim 3 m față de toate cablurile electrice. (Vezi Figura P2-P5)

3. Utilizați ambele mâini pentru a prinde ferm ferăstrăul.

- Atunci când utilizați acest ferăstrău cu tijă, apucați-l numai de locurile desemnate pentru acesta (Vezi Figura P6). Mențineți o priză fermă. Toate degetele trebuie să se înfășoare în jurul mânerelor ferăstrăului.
- Asigurați-vă că fixați bine picioarele pe sol. Păstrați picioarele la același nivel cu umerii. Asigurați-vă că distribuiți greutatea în mod egal pe ambele picioare.
 - Când sunteți pregătit să tăiați, apăsați butonul de blocare (30), după care apăsați complet butonul On/Off (Pomiț/Oprit) (31) (Vezi Figura P7). Acest lucru va determina pornirea fierăstrăului. Eliberarea declanșatorului va determina oprirea fierăstrăului. Asigurați-vă că fierăstrăul funcționează la viteză maximă înainte de a începe să tăiați.
 - Când începeți să tăiați, așezați cu atenție lanțul aflat în mișcare pe bucata de lemn. Țineți ferm fierăstrăul pentru a evita ca acesta să sară sau să se deplaseze în lateral.
 - Ghidați fierăstrăul aplicând o presiune ușoară și nu exercitați o forță excesivă asupra acestuia. Motorul va lucra în suprasarcină și se poate arde. Motorul va ajuta să finalizați lucrarea mai bine și în condiții de siguranță sporite dacă îl utilizați la viteză pentru care a fost construit.
 - Scoateți fierăstrăul din bucata de lemn tăiată cât timp acesta se află în continuare la viteză maximă. Opriti funcționarea fierăstrăului eliberând comutatorul de pornire/oprire. Asigurați-vă că fierăstrăul s-a oprit complet din funcționare înainte de a-l așeza jos.

FASONAREA UNUI COPAC (TUNDERE)

AVERTIZARE: Evitați reculul mâșinii.
Reculul poate cauza leziuni corporale grave sau chiar decesul operatorului sculei.

Vezi secțiunea Recul pentru a evita aceste riscuri.

AVERTIZARE: Nu utilizați ferăstrăul cu tijă de prelungire dacă

- **vă aflați într-un copac,**
- **vă aflați pe o scară sau pe vreo suprafață instabilă,**
- **vă aflați într-o poziție incomodă.**

În situațiile enumerate mai sus puteți pierde ușor controlul ferăstrăului de tăiere la înălțime și puteți suferi leziuni corporale grave.

AVERTIZARE: La utilizarea acestui tip de ferăstrău nu ridicați brațele mai sus de înălțimea umerilor.

ATENȚIE: Dacă vă întâlniți cu niște situații care vă depășesc pregătirea, cereți sfaturi profesioniștii.

Fasonarea unui copac reprezintă un procedeu prin care se taie crengile unui copac viu. Asigurați-vă că fixați bine picioarele pe sol. Păstrați picioarele la același nivel cu umerii. Asigurați-vă că distribuiți greutatea în mod egal pe ambele picioare.

Urmați instrucțiunile de mai jos la fasonarea unui copac.

- Faceți prima tăiere la 15 cm de trunchi, pornind din partea de jos a crengii. Utilizați partea de sus a șinei de ghidare pentru a efectua această tăiere. Tăiați cca

1/3 din diametrul crengii vizate (vezi fig. P8).

- Mutați lama cu 5-10 cm mai spre vârful crengii. Faceți o doua tăiere din partea de sus a crengii. Continuați tăierea până când creanga vizată se desprinde și cade.
- Faceți a treia tăiere cât mai aproape de trunchiul copacului, începând din partea de jos a ciotului rămas. Utilizați partea superioară a șinei de ghidare pentru a face această tăiere. Tăiați până la circa 1/3 din diametrul ciotului.
- Efectuați a patra tăiere exact deasupra celei de a treia tăieri. Tăiați până când vă întâlniți cu a treia tăiere. Această tăiere va îndepărta ciotul rămas după tăierea crengii.

ÎNTREȚINEREA FERĂSTRĂULUI

Urmați instrucțiunile de întreținere din acest manual. Curățarea și întreținerea corespunzătoare a lanțului de ferăstrău și a lamei de ghidare, precum și a ferăstrăului în general, poate reduce riscul de recul. Inspectați și întrețineți ferăstrăul după fiecare utilizare. Acest lucru va crește durata de viață a ferăstrăului dumneavoastră.

NOTA: Chiar după o ascuțire corespunzătoare, riscul de recul poate crește după fiecare ascuțire.

ÎNTREȚINEREA ȘI DEPOZITAREA FIERĂSTRĂULUI

1. Scoateți acumulatorul din ferăstrău:

- Dacă nu este utilizat.
- Înainte de a vă deplasa dintr-un loc în altul;
- Înainte de service.
- Înainte de a înlocui accesoriile sau dispozitivele de atașare, precum lanțul de ferăstrău sau lama de ghidare.

2. Înainte de fiecare utilizare, inspectați ferăstrăul. Verificați cu atenție fierăstrăul în cazul în care mecanismul de protecție a utilizatorului sau o altă componentă a fost deteriorată.

Verificați pentru a vedea dacă există deteriorări care ar putea afecta siguranța operatorului sau funcționarea fierăstrăului. Verificați alinierea sau conexiunile dintre componentele mobile. Verificați dacă există componente rupte sau deteriorate. Nu folosiți fierăstrăul dacă există deteriorări de natură să afecteze siguranța sau funcționarea. Asigurați-vă că repararea se realizează într-un centru de service autorizat. Pentru a găsi un centru de service autorizat, accesați www.worx.com.

3. Întrețineți cu grijă fierăstrăul.

- Nu expuneți niciodată unealta electrică la ploaie sau la umezeală directă.
- Păstrați lanțul de ferăstrău ascuțit, curat și lubrifiat pentru o funcționare mai bună și mai sigură.
- Urmați pașii evidențiați în acest manual pentru a ascuți lanțul de ferăstrău.

- Mențineți mânerele uscate, curate și nu permiteți ca acestea să intre în contact cu ulei sau vaselină.
- Mențineți toate șuruburile și piulițele strânse.

4. La efectuarea operațiilor de service, utilizați numai piese de schimb identice cu cele înlocuite.

5. Depozitați ferăstrăul întotdeauna în condiții optime atunci când nu îl utilizați

- Într-un loc înalt sau încluiat, departe de copii.
- Într-un loc uscat.
- Cu teaca lamei de ghidare și a lanțului trasă deasupra (9)

Întreținerea lamei de ghidare

Pentru a maximiza durata de viață a lamei, se recomandă să respectați următoarele indicații privind întreținerea.

Lama de ghidare pe care este așezat lanțul trebuie să fie curățată înainte de depozitarea mașinii sau dacă lama și lanțul sunt murdare.

Lama de ghidare trebuie curățată de fiecare dată când este scos lanțul.

Pentru a curăța lama de ghidare:

1. Demontați protecția pentru lanț, lama și lanțul. (consultați secțiunea ASAMBLAREA)
2. Folosind o perie de sămă, o șurubelniță sau un instrument similar, curățați urmele de murdărie de pe lama de ghidare. (Vezi Figura Q)
3. Aveți grijă să curățați complet locurile prin care trece uleiul.

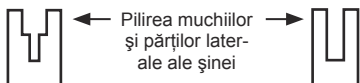
Condițiile care impun întreținerea lanțului (7) și a lamei de ghidare (6):

- ferăstrăul taie într-o parte sau în unghi;
- ferăstrăul trebuie forțat pentru a înainta în tăietură;
- alimentarea cu ulei a lamei și a lanțului este inadecvată.

Verificați starea barei de ghidare de fiecare dată când lanțul este ascuțit. O lamă de ghidare uzată va determina deteriorarea lanțului și va îngreuna tăierea.

După fiecare utilizare, cu unitatea deconectată de la sursa de alimentare, curățați rumeșugul de pe lama de ghidare și din orificiul pinionului.

Când partea de sus a lamei de ghidare este neuniformă, folosiți o pilă pentru a reface muchiile și părțile laterale, astfel încât acestea să fie drepte.



Canelură uzată

Canelură corectă

Înlocuiți lama de ghidare când canelura este uzată, când lama de ghidare este îndoită sau crăpată sau când are loc o supraîncălzire sau o debavurare a lamei. Dacă se impune înlocuirea, folosiți numai lame de ghidare specifice ferăstrăului dvs. (tipul acesteia poate fi regăsit în lista cu piese de înlocuire sau pe autocolantul aflat pe ferăstrău).

Schimbarea/inversarea lanțului de ferăstrău și a lamei

Înlocuiți lanțul de ferăstrău când dispozitivele de tăiere sunt prea uzate pentru a mai fi ascuțite sau când lanțul se rupe. Utilizați doar lanțul de schimb menționat în acest manual.

Verificați lama de ghidare înainte de a ascuți lanțul. O

lamă de ghidare uzată sau deteriorată este nesigură și va deteriora lanțul de ferăstrău și va îngreuna operațiunea de tăiere.

Potrivită gheara plăcii de tensionare a lamei de ghidare (23) în lama nouă prin strângerea șurubului în direcția mersului acelor de ceasornic. Partea protuberantă a ghearei (a) trebuie să intre precis în gaura din lama de ghidare. (Vezi Figura R)

ASCUȚIREA LANȚULUI DE FERĂSTRĂU

AVERTISMENT: Scoateți acumulatorul din ferăstrău înainte de service. Electrocutarea sau contactul cu lanțul de tăiere aflat în mișcare poate cauza răni grave sau deces.

Muchiile de tăiere ale lanțului sunt ascuțite. Utilizați mănuși de protecție când manevrați lanțul.

Mențineți lanțul ferăstrăului ascuțit. Veți tăia mai rapid și mai sigur. Un lanț de ferăstrău tocit va cauza uzura rapidă a roții de lanț, lamei de ghidare, lanțului de ferăstrău și motorului. Dacă trebuie să forțați pătrunderea lanțului de ferăstrău în lemn și tăierea produce doar rumeșug cu câteva așchii mari, lanțul de ferăstrău este uzat.

LUBRIFIEREA PINIONULUI


AVERTISMENT Purtați mănuși cu rezistență sporită atunci când realizați operații de mentenanță sau reparații asupra acestui instrument.

Întotdeauna scoateți acumulatorul din fierăstrău înainte de a realiza orice operații de mentenanță sau reparații asupra acestui instrument.

NOTĂ: Nu este necesar să scoateți lanțul sau lama când lubrifianți roata de lanț

1. Curățați lama de ghidare și roata de lanț.
2. Utilizând o pompă de uns, introduceți vârful acesteia în orificiul de lubrifiere și injectați unsoare până când iese pe muchia exterioră a vârfului roții de lanț. (Vezi Figura S)
3. Pentru a roti pinionul, eliberați mecanismul de oprire a lanțului și trageți de lanț (cu mâna) până când partea negresată a pinionului este aliniată cu orificiul de gresare. Repetați procedura de lubrifiere.

PROTECȚIA MEDIULUI

 Produsele electrice nu trebuie depuse la deșeurile împreună cu gunoii menajer. Vă rugăm să depuneți produsele electrice la unitățile de reciclare existente. Consultați-vă cu autoritățile locale sau cu distribuitorul pentru sfaturi privind reciclarea.

DEPANAREA

În cazul în care scula electrică nu funcționează impecabil, tabelul următor vă prezintă simptomele defecțiunilor, cauzele posibile cât și măsurile de remediere. Dacă prin aceasta nu puteți identifica și înlătura problema, adresați-vă atelierului dumneavoastră de service. **Atenție: înainte de detectarea defecțiunilor, deconectați ferăstrăul cu lanț și extrageți acumulatorul.**

Simptom	Cauze posibile	Soluție posibilă
Ferăstrăul cu lanț nu funcționează.	Acumulatorul este consumat. Siguranță defectă.	Încărcați acumulatorul. Înlocuiți siguranța.
Ferăstrăul cu lanț lucrează intermitent.	Supraîncălzire Exercitați o presiune prea mare în timpul tăierii. Conexiune slabă. Cabluri interne slăbit. Întreprătorul pornit/oprit defect.	Duceți mașina într-un loc răcoros și bine aerisit, și așteptați răcirea ei. Exercitați o presiune mai mică în timpul operațiunii de tăiere. Contactați agentul de service. Contactați agentul de service. Contactați agentul de service.
Lanțul de ferăstrău este uscat.	Nu există ulei în rezervor. Aerisirea dopului de închidere al rezervorului de ulei este înfundată. Canalul de scurgere a uleiului este înfundat.	Completați cu ulei. Curățați dopul de închidere al rezervorului de ulei. Curățați canalul de scurgere a uleiului.
Lanțul/Bara lanțului se supraîncălzește.	Nu există ulei în rezervor. Aerisirea dopului de închidere al rezervorului de ulei este înfundată. Canalul de scurgere a uleiului este înfundat. Lanțul de ferăstrău este întins prea tare. Lanțul de ferăstrău este tocit.	Completați cu ulei. Curățați dopul de închidere al rezervorului de ulei. Curățați orificiul de ieșire pentru trecerea uleiului. Reglați butonul rotativ de blocare. Ascuțiți sau înlocuiți lanțul de ferăstrău.
Ferăstrăul cu lanț se smulge, vibrează sau nu taie corect	Lanțul nu este întins suficient Lanțul de ferăstrău este tocit Lanțul de ferăstrău este uzat Dinții de ferăstrău sunt îndreptați în direcția greșită	Reglați întinderea lanțului Ascuțiți sau înlocuiți lanțul de ferăstrău Înlocuiți lanțul de ferăstrău Montați corect lanțul de ferăstrău

DECLARAȚIE DE CONFORMITATE

Subsemnații,
Positec Germany GmbH
Grüner Weg 10, 50825 Cologne, Germany

Declarăm că produsul,
Descriere **Ferăstrău cu lanț și tijă de prelungire acționată de acumulator**
Tip **WG322E WG322E.9 WG323E WG323E.9**
(3 - denumirea mașinii electrice, respectiv a ferăstrăului cu lanț și tijă de prelungire)
Funcție **Tăiere lemă**

Respectă următoarele Directive,
2006/42/EC
2014/30/EU
2011/65/EU
2000/14/EC modificată prin 2005/88/EC

Organismul notificat implicat
Num: Intertek Deutschland GmbH (organism notificat 0905)
Adresa: Stangenstraße 1, 70771 LEINFELDEN-ECHTERDINGEN
Nr. certificare: 17SHW1086-01 (WG322E WG322E.9) 17SHW1166-01 (WG323E WG323E.9)

WG322E WG322E.9

2000/14/EC modificată prin 2005/88/EC:

- Procedură de evaluare a conformității conformă cu

Anexa V

- Nivel de putere sonoră măsurat **94.7 dB(A)**

- Nivel de putere sonoră garantat declarat **96 dB(A)**

WG323E WG323E.9

2000/14/EC modificată prin 2005/88/EC:

- Procedură de evaluare a conformității conformă cu

Anexa V

- Nivel de putere sonoră măsurat **95.2 dB(A)**

- Nivel de putere sonoră garantat declarat **96 dB(A)**

Se conformează standardelor,

EN 60745-1

EN 60745-2-13

EN ISO 3744

EN 55014-1

EN 55014-2

Părți din EN ISO11680-1

Persoana responsabilă pentru elaborarea fișei tehnice,

Denumire: Marcel Filz

Adresă: Positec Germany GmbH, Grüner Weg 10, 50825 Cologne, Germany



2018/03/09

Allen Ding

Adjunct Inginer șef, Testare și certificare

Positec Technology (China) Co., Ltd.

18, Dongwang Road, Suzhou Industrial

Park, Jiangsu 215123, P. R. China

OBEČNÁ BEZPEČNOSTNÍ UPOZORNĚNÍ PRO ELEKTRICKÉ NÁSTROJE

VAROVÁNÍ: Přečtěte si všechna bezpečnostní upozornění a instrukce.

Nedodržení bezpečnostních instrukcí a varování může vést ke zranění el. proudem, vypuknutí požáru, poškození nářadí a nebo k vážným zraněním.

Uložte instrukce a veškerou dokumentaci pro budoucí použití.

Výraz "elektrické ruční nářadí" znamená v upozornění buď na nářadí na elektrický pohon (napájené elektrickou sítí) nebo na akumulátorové nářadí (napájené z akumulátoru).

1. BEZPEČNOST NA PRACOVÍSTĚ

- Udržujte pracoviště v čistotě a dobře osvětlené.** Pracoviště plné nepotřebných předmětů nebo slabě osvětlené zvyšuje možnost úrazu.
- Nepoužívejte elektrické ruční nářadí v prostředí náchylném na exploze jako například v přítomnosti hořlavých tekutin, plynů nebo prachu.** Elektrické ruční nářadí při práci vytváří jiskry, které mohou vznítit prach nebo výparu.
- Při práci s elektrickým ručním nářadím udržujte děti a přihlízející osoby v dostatečné vzdálenosti.** Ztráta pozornosti může vést ke ztrátě kontroly nad nářadím.

2. Bezpečnost při práci s elektřinou

- Vidlice elektrického ručního nářadí musí být shodného typu jako zásuvky el. sítě. Neměňte vidlici nedovoleným nebo neodborným způsobem, předejete tak možným zraněním nebo úrazu el. proudem.** Nepoužívejte spolu s uzemněným ručním nářadím žádné adaptéry, které neumožňují ochranu zemněním.
- Vyhýbejte se kontaktu s uzemněnými povrchy jako například trubkami, radiátory, sporáky a ledničkami.** Je-li vaše tělo spojené s uzemněným předmětem nebo stojí na uzemněné ploše, vzniká zvýšené riziko úrazu elektrickým proudem.
- Nevystavujte ruční nářadí dešti nebo vlhkým podmínkám.** Když se voda dostane pod povrch elektrického ručního nářadí, vzniká zvýšené riziko úrazu elektrickým proudem.
- Nemanipulujte s napájecím kabelem necitlivě. Nikdy si nepřítahujte elektrické ruční nářadí k sobě pomocí kabelu, netahajte je za sebou pomocí kabelu a nevytrhávejte kabel za zástrčky, abyste ruční nářadí vypnuli.** Nevystavujte kabel vysokým teplotám, oleji, ostrým hranám nebo kontaktu s pohyblivými díly. Poškozené nebo zamotané kabely mohou vést k zvýšenému riziku úrazu elektrickým proudem.
- Při práci s ručním nářadím v exteriéru**

použijte prodlužovací kabel vhodný pro použití v exteriéru. Použijte kabel vhodný pro venkovní prostředí, snižujete tím riziko vzniku úrazu elektrickým proudem.

- Pokud je práce s ručním nářadím ve vlhkých podmínkách nevyhnutelná, použijte napájení chráněné jističem typu proudový chránič (RCD).** Použití RCD jističe redukuje riziko vzniku úrazu elektrickým proudem.
- ## 3. OSOBNÍ BEZPEČNOST
- Buďte soustředění, sledujte co děláte a při práci s ručním nářadím se řiďte zdravým rozumem. Nepoužívejte ruční nářadí, jste-li unaveni nebo pod vlivem omamných látek, alkoholu nebo léků.** Moment nepozornosti při práci s ručním nářadím může vést k vážnému osobnímu zranění.
 - Použijte osobní ochranné pomůcky. Vždy noste ochranu očí.** Ochranné pomůcky jako například proti prachová maska, boty s protiskluzovou podrážkou nebo chrániče sluchu použité v příslušných podmínkách pomáhají redukovat nebezpečí vážného osobního zranění.
 - Předcházejte neúmyslnému zapnutí. Ujistěte se, že vypínač je ve vypnuté poloze předtím, než zapojíte nářadí do elektrické sítě a nebo k akumulátoru, rovněž při zvedání nebo nošení nářadí.** Nošení nářadí s prstem na vypínači nebo nářadí pod napětím zvyšuje možnost úrazu.
 - Odstraňte jakékoliv nastavovací nebo matiové klíče a šrouby předtím, než zapnete ruční nářadí.** Nastavovací nebo jiný klíč ponechaný na rotující části ručního nářadí může způsobit osobní úraz.
 - Nepřečenujte se. Udržujte si stabilitu a pevnou zem pod nohama za každých podmínek.** Umožňuje vám to lepší kontrolu nad ručním nářadím v neočekávaných situacích.
 - Pro práci se vhodné oblečte. Nenoste volné oblečení nebo šperky. Udržujte své vlasy, oblečení a rukavice ve vzdálenosti od pohyblivých částí.** Volné oblečení, šperky nebo dlouhé vlasy se mohou do pohyblivých částí zachytit.
 - Pokud jsou zařízení nastavená na spojení se zařízeními na zachytávání a extrakci prachu, ujistěte se, že jsou tato zařízení správně připojena a použita.** Použitím sběrače prachu redukuje rizika vyvolaná prachem.
- ## 4. POUŽITÍ A ÚDRŽBA RUČNÍHO NÁŘADÍ
- Na ruční nářadí netlačte. Použijte správné ruční nářadí pro danou činnost.** Správné ruční nářadí udělá práci lépe a takovou rychlostí, pro kterou bylo navrženo.
 - Nepoužívejte ruční nářadí, pokud správně nefunguje vypínač on/off.** Jakékoliv ruční nářadí, které se nedá ovládat vypínačem, je nebezpečné a musí být opraveno.
 - Dříve než začnete dělat jakékoliv úpravy, vyměňovat doplňky nebo ruční nářadí odkládat, odpojte zástrčku od sítě a nebo**

akumulátoru. Taková preventivní bezpečnostní opatření redukovat riziko náhodného zapnutí ručního nářadí.

- d) Nepoužíváte-li ruční nářadí, skladujte je mimo dosah dětí a nedovolte osobám, které nemají zkušenosti s prací s ručním nářadím nebo neznají tyto pokyny, s nářadím pracovat.** Ruční nářadí je nebezpečné v rukách neškolené a nezkušené osoby.
- e) Údržba ručního nářadí. Zkontrolujte chybné připojení nebo spojení pohyblivých částí, zlomené části nebo jiné okolnosti, které by mohly ovlivnit funkčnost ručního nářadí. Je-li nářadí poškozeno, nechte je před novým použitím opravit.** Mnoho úrazů vzniká proto, že je elektrické ruční nářadí špatně udržováno.
- f) Udržujte řezné nástroje ostré a čisté.** Správně udržované řezné nástroje s ostrými řezacími hranami jsou méně náchylné na zakousnutí a lépe se ovládají.
- g) Používejte elektrické nářadí v souladu s těmito pokyny, berte v úvahu pracovní podmínky a druh vykonávané práce.** Je-li elektrické nářadí použito na jiné účely, než je určeno, může docházet k nebezpečným situacím.

5. POUŽÍVÁNÍ A PÉČE O AKUMULÁTOROVÉ ELEKTRICKÉ NÁŘADÍ

- a) Nabíjejte je nabíječkou určenou výrobcem.** Nabíječka, která je vhodná pro jeden typ baterií, může při použití s jiným typem baterií způsobit požár.
- b) Elektrické nářadí používejte jen s určenou baterií.** Použití jakéhokoli jiného typu baterií může zvýšit riziko zranění a požáru.
- c) Není-li baterie používána, neukládejte ji do blízkosti jiných kovových předmětů, jako jsou sponky na papír, mince, klíče, hřebíky, šrouby nebo jiné drobné kovové předměty, které by mohli zkratovat kontakty.** Zkratování kontaktů baterie může vést k popáleninám nebo vzniku požáru.
- d) Při nesprávném používání může z baterie vystříknout elektrolyt, vyhýbejte se styku s ním, má žiravé účinky. Dojde-li ke styku kapaliny s pokožkou, opláchněte zasažené místo vodou.** Dostane-li se kapalina do očí, použijte čistou vodu k vypláchnutí a ihned vyhledejte lékařskou pomoc. Kapalina uniknutá z baterie může způsobit podráždění a poleptání.

6. SERVIS

- a) Servisní práce na nářadí nechte provést kvalifikovanými pracovníky za použití originálních náhradních dílů.** Výsledkem bude trvalá bezpečnost při práci s elektrickým nářadím.

BEZPEČNOSTNÍ UPOZORNĚNÍ PRO ŘETĚZOVÉ PILY

- 1. Při běžící řetězové pile mějte všechny**

části těla daleko od řetězové pily. Před nastartováním pily se přesvědčte, že se řetěz pily ničeho nedotýká. Při práci s řetězovou pilou může moment nepozornosti vést k tomu, že oblečení nebo části těla mohou být řetězem pily zachyceny.

- 2. Držte řetězovou pilu pevně svou pravou rukou na zadním držadle a svou levou rukou na předním držadle.** Držení řetězové pily v jiném pracovním postoji zvyšuje riziko poranění a nesmí být aplikováno.
- 3. Držte elektronářadí pouze na izolovaných plochách rukojetí, poněvadž řetěz pily může přijít do kontaktu se skrytým elektrickým vedením.** Kontakt řetězové pily s elektrickým vedením pod napětím může přivést napětí na kovové díly stroje a vést k zásahu elektrickým proudem.
- 4. Noste ochranné brýle a chrániče sluchu. Doporučuje se další ochranné vybavení pro hlavu, ruce, nohy a chodidla.** Vhodný ochranný oděv snižuje nebezpečí poranění odletujícími třískami a náhodným kontaktem s řetězem pily.
- 5. Nepracujte s řetězovou pilou na stromě.** Při provozu řetězové pily na stromě existuje nebezpečí zranění.
- 6. Dbejte vždy na pevný postoj a řetězovou pilu používejte pouze tehdy, když stojíte na zpevněném, bezpečném a rovném podkladu.** Kluzký nebo nestabilní podklad může vést při použití žebříku ke ztrátě rovnováhy a kontroly nad řetězovou pilou.
- 7. Při řezání větve pod přepětím počítejte s tím, že tato zapruží zpět.** Když se napětí ve vláknech dřeva uvolní, může napjatá větev zasáhnout obsluhující osobu a/ nebo vymknout řetězovou pilu kontrole.
- 8. Bud'te obzvlášť opatrní při řezání podrostu a mladých stromů.** Mladý materiál se může do řetězové pily zaplést a udeřit Vás nebo Vás vyvést z rovnováhy.
- 9. Řetězovou pilu noste za přední držadlo s řetězem ve stavu klidu a vodič lištou směřující dozadu. Při přepravě nebo uskladnění řetězové pily vždy natáhněte ochranný kryt.** Pečlivé zacházení s řetězovou pilou snižuje pravděpodobnost náhodného kontaktu s běžícím řetězem pily..
- 10. Řiďte se pokyny pro mazání, napínání řetězu a výměnu příslušenství.** Nesprávné napnutí nebo namazaný řetěz se může buď roztrhnout nebo zvýšit riziko zpětného rázu.
- 11. Udržujte držadla suchá, čistá a bez oleje a tuků.** Mastná, zaolejovaná držadla jsou kluzká a vedou ke ztrátě kontroly.
- 12. Řežte pouze dřevo. Řetězovou pilu používejte pouze k pracem, ke kterým je určená - příklad: nepoužívejte řetězovou pilu k řezání plastu, zdiva nebo stavebních materiálů, jež nejsou ze dřeva.** Použití řetězové pily k jiným účelům než je určena může vést k nebezpečným situacím.

PŘÍČINY A ZABRÁNĚNÍ ZPĚTNÉMU RÁZU:

Zpětný ráz může nastat, když se špička vodící lišty dotkne předmětu nebo když se dřevo ohne a řetěz pily se v řezu sevře.

Dotek špičkou lišty může v některých případech vést k nečekané, dozadu směřované reakci, při níž je vodící lišta vyražena nahoru a ve směru obsluhující osoby. Zaseknutí pilového řetězu na horní hraně vodící lišty může lištu zprudka odrazit zpět ve směru obsluhy. Každá tato reakce může vést k tomu, že ztratíte kontrolu nad pilou a možná se těžce poraníte. Nespoléhejte se výhradně na bezpečnostní vybavení zabudované v řetězové pile. Jako uživatel řetězové pily byste měl udělat rozličná opatření, abyste pracoval bez úrazu a zranění. Zpětný ráz je důsledek špatného nebo nesprávného použití elektronářadí. Lze mu zabránit vhodnými preventivními opatřeními jak je následně popsáno:

- **Držte pilu pevně oběma rukama, přičemž palce a prsty objímají držadla řetězové pily.** Uvedte Vaše tělo a paže do polohy, při které můžete čelit silám zpětného rázu. Jsou-li učiněna vhodná opatření, může obsluhující osoba ovládnout sílu zpětného rázu. Nikdy řetězovou pilu neupustěte.
- **Vyvarujte se abnormálního držení těla a neřezejte nad výškovu ramen.** Tím se zabrání neúmyslnému kontaktu se špičkou lišty a je umožněna lepší kontrola řetězové pily v neočekávaných situacích.
- **Používejte vždy výrobcem předepsané náhradní lišty a pilové řetězy.** Nesprávné náhradní lišty a pilové řetězy mohou vést k roztržení řetězu nebo ke zpětnému rázu.
- **Držte se pokynů výrobce pro broušení a údržbu pilového řetězu.** Příliš nízké omezovače hloubky zvyšují sklon ke zpětnému rázu.

DODATEČNÁ RIZIKA

I při předepsaném použití přístroje vždy existuje dodatečné riziko, kterému nelze zabránit. Podle druhu a konstrukce spotřebiče se mohou vyskytnout následující možná nebezpečí:

- Kontakt s obnaženým ozubením řetězu pily (rizika během řezání)
- Přístup k rotujícímu řetězu pily (rizika během řezání)
- Nepředvídatelný, náhlý pohyb vodící lišty (rizika během řezání)
- Odmrštění částeček od řetězu pily (rizika během řezání / nebezpečí zasažení)
- Odmrštění částí obrobku
- Potřísnění pokožky olejem
- Ztráta sluchu, pokud není během práce používána požadovaná ochrana sluchu

BEZPEČNOSTNÍ POKYNY PRO

PROŘEZÁVACÍ PILY S PRODLUŽOVACÍM NÁSTAVCEM

1. Pilu nepoužívejte, pokud je obsluha unavená, nemocná, nebo je pod vlivem alkoholu či jiných drog.
2. Ke snížení možného nebezpečí zajistěte, aby byly během práce okolní osoby v bezpečné vzdálenosti od místa práce.
3. Dávejte pozor na nebezpečné pracovní polohy a také na nebezpečí zasažení padajícími větvemi, nebo odskakujícími větvemi po jejich dopadu na zem. Větve odřezávejte po částech.
4. Během práce udržujte pevný postoj a rovnováhu. Používejte dodané popruhy.
5. Pilu udržujte v dostatečné vzdálenosti od nadzemního elektrického vedení.

BEZPEČNOSTNÍ VAROVÁNÍ TÝKAJÍCÍ SE BATERIÍ

- a) **Nepokoušejte se demontovat, rozebírat nebo rozřezávat baterie nebo její články.**
- b) **Neprovádějte zkratování baterie. Neukládejte baterie nahodile v krabicích nebo v zásuvkách, kde by mohlo dojít k jejich vzájemnému zkratování nebo k zkratování způsobenému jinými předměty.** Není-li baterie používána, udržujte ji v bezpečné vzdálenosti od sponek na papíry, mincí, klíčů, hřebíků, šroubů nebo jiných malých kovových předmětů, které mohou způsobit propojení kontaktů baterie. Zkratování kontaktů baterie může způsobit popáleniny nebo požár.
- c) **Nevystavujte baterii působení horka nebo ohně. Vyvarujte se skladování baterii na otevřeném slunci.**
- d) **Nevystavujte baterii mechanickým rázům.**
- e) **Dojde-li k úniku kapaliny z baterie, zabraňte tomu, aby se tato kapalina dostala do kontaktu s pokožkou nebo aby zasáhla oči. Dojde-li k takovému kontaktu, zasažené místo omyjte značným množstvím vody a vyhledejte lékařské ošetření.**
- f) **Dojde-li k požití kapaliny z baterie, vyhledejte okamžitě lékařské ošetření.**
- g) **Udržujte baterie čisté a suché.**
- h) **Jsou-li svorky baterie znečištěny, otřete je čistým a suchým hadříkem.**
- i) **Baterie musí být před použitím nabita. Vždy postupujte podle uvedených pokynů a používejte správný postup nabíjení.**
- j) **Nenechávejte baterii nabíjet, nebude-li baterie použita.**
- k) **Po dlouhodobém uložení budete možná muset provést několik cyklů nabíjení a vybití, aby baterie dosáhla svého**

maximálního výkonu.

- l) **Baterie poskytují nejvyšší výkon, je-li používána při běžné pokojové teplotě (20°C ± 5°C).**
- m) **Při likvidaci baterií oddělte od sebe baterie s odlišnými elektrochemickými systémy.**
- n) **Provádějte nabíjení pouze v nabíječce, která je specifikovaná společností WORX. Nepoužívejte jinou nabíječku, než je nabíječka speciálně dodaná pro použití s tímto zařízením.** Nabíječka, která je vhodná pro jeden typ baterie, může při použití jiného typu baterie vytvářet riziko způsobení požáru.
- o) **Nepoužívejte žádnou baterii, která není určena pro použití s tímto zařízením.**
- p) **Ukládejte baterie mimo dosah dětí.**
- q) **Uchovávejte originální dokumentaci k tomuto výrobku pro budoucí odkazy.**
- r) **Není-li zařízení používáno, vyjměte z něj baterii.**
- s) **Provádějte řádnou likvidaci baterie.**

TYTO POKYNY USCHOVEJTE

Pokyny týkající se správné techniky pro běžné kácení, odvětvování a příčné řezy

1. Kácení stromů

Řeže-li a kácí dvě či více osob současně, pak by měla vzdálenost mezi kácějícími a řezajícími osobami činit minimálně dvojnásobek výšky kácených stromů. Při kácení stromů dbejte na to, aby jiné osoby nebyly vystaveny žádnému nebezpečí, nebyla zasažena žádná elektrická rozvodná vedení a nebyly způsobeny žádné věcné škody. Pokud by se strom dostal do kontaktu s elektrickým rozvodným vedením, je třeba ihned uvědomit dodavatele elektrické energie.

Při řezacích pracích na svahu by se měla obsluha řetězové pily zdržovat v terénu nad káceným stromem, protože se strom bude po skácení pravděpodobně kutálet nebo klouzat z kopce dolů.

Před kácením by se měla napláňovat a bude-li třeba i uvolnit úniková cesta. Tato úniková cesta by se měla rozšiřovat směrem vzad v diagonálním směru od očekávaného směru pádu stromu, jak je znázorněno na obrázku 1.

Před kácením je třeba vzít v úvahu přirozený sklon stromu, polohu větších větví a směr větru, aby bylo možné posoudit směr pádu stromu. Nečistoty, kameny, uvolněnou kůru, hřebíky, skoby a drát je třeba ze stromu odstranit.

2. Umístění zářezu:

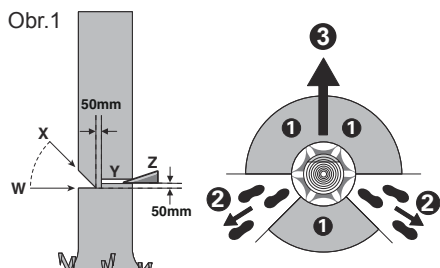
Zářez provedte do 1/3 průměru kmene, kolmo ke směru pádu, jak je znázorněno na obrázku 1. Nejprve provedte spodní vodorovný zářez (W). Tím se zabrání sevření řetězu pily nebo vodící lišty při nasazení druhého zářezu (X).

3. Umístění hlavního řezu

Hlavní řez z protilehlé strany provedte nejméně o 50 mm výše, než je vodorovný zářez (Y), jak je znázorněno

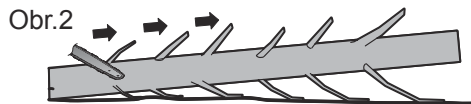
na obrázku 1. Hlavní řez provedte rovnoběžně s vodorovným zářezem. Hlavní řez zařízněte pouze tak hluboko, aby ještě zůstal stát můstek (pádová lat'), jež bude působit jako kloub. Můstek zabraňuje tomu, aby se strom otočil a spadl do špatného směru. Můstek neprořízněte.

Při přiblížení hlavního řezu k můstku by měl strom začít padat. Pokud se ukáže, že strom možná nespadne do požadovaného směru nebo se naklání zpátky a svírá řetěz pily, hlavní řez přerušte a pro otevření řezu a skolení stromu do požadované linie pádu použijte klíny ze dřeva, umělé hmoty nebo hliníku (Z) (3). Když strom začíná padat, odstraňte řetězovou pilu z řezu, vypněte ji a odložte a nebezpečnou oblast opusťte plánovanou únikovou cestou (2). Dejte pozor na padající větvě a neklopýtněte. (Viz Obr. 1)



4. Odvětvování

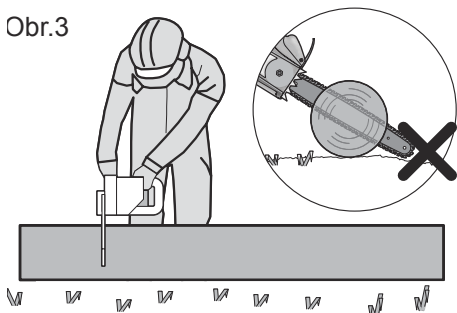
Pod odvětvěním se rozumí oddělení větví od pokáceného stromu. Při odvětvování nechte větší, dolů směřující větve, které strom podepírají, prozatím stát. Drobné větve odstraňte jedním řezem, jak je znázorněno na obrázku 2. Větve, jež jsou pod prnutím, by se měly řezat odspoda nahoru, aby se zabránilo sevření pilového řetězu.



5. Zkracování kmene stromu

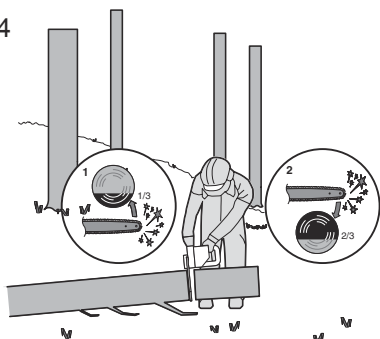
Pod tím se rozumí dělení pokácených stromů na odřezky. Dbejte na svůj bezpečný postoj a rovnoměrné rozdělení hmotnosti Vašeho těla na obě nohy. Je-li to možné, měl by být kmen podložen a podepřen větvemi, hranoly nebo klíny. Uposledněte jednoduchých pokynů pro lehké řezání. Pokud je kmen podepřen po celé své délce, jak je znázorněno na obrázku 3, vedte řez z horní strany (horní strana tesařské kozy), vyvarujte se kontaktu čepel pily se zemí, protože by se tím výrazně snížila ostrost řetězu.

Obr.3



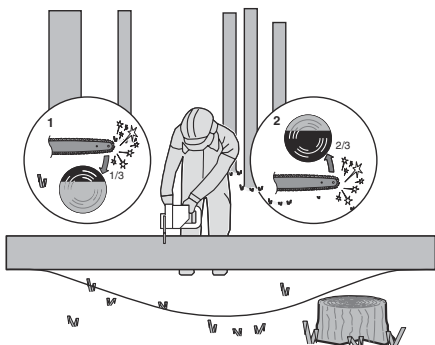
Podku je kmen podepřen na jedné straně, jak je znázorněno na obrázku 4, provedte řez do 1/3 průměru ze spodní strany (spodní strana tesařské kozy) (1). Poté řez dokončete z vrchní strany (2).

Obr.4



Pokud je kmen podepřen po obou stranách, jak je znázorněno na obrázku 5, provedte řez z horní strany (horní strana tesařské kozy) (1). Poté řez dokončete ze spodní strany, 2/3 průměru tak, aby se řezy potkaly (2).

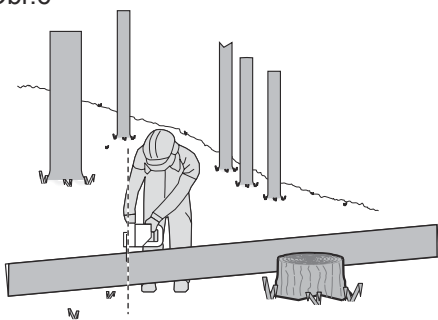
Obr.5



Při řezání ve svahu vždy stůjte z horní strany kmene, jak je znázorněno na obrázku 6. Abyste si v momentu


„proříznutí“ zachovali plnou kontrolu, snížete přítlak proti konci řezu, aniž byste uvolnili pevné uchopení na rukojtech řetězové pily. Dbejte na to, aby se pilový řetěz nedotkl země. Po dokončení řezu vyčkejte stavu klidu řetězu pily než řetězovou pilu odstraníte. Než přejdete od stromu ke stromu, motor řetězové pily vždy vypněte.

Obr.6



SYMBOLY

	V zájmu omezení nebezpečí zranění si musí uživatel přečíst návod k obsluze.
	Varování
	Používejte ochranu sluchu
	Používejte ochranu zraku
	Používejte masku proti prachu
	Nevystavujte toto zařízení vlhkosti
	Používejte ochrannou přilbu

	Používejte ochranné rukavice
	Používejte ochrannou obuv
	Varování před nebezpečím z nadzemního elektrického vedení
 	Vysloužilé elektrické přístroje nevyhazujte společně s domovním odpadem. Nářadí recyklujte ve sběrnách k tomu účelu zřízených. O možnostech recyklace se informujte na místních úřadech nebo u prodejce.
 Li-Ion 	Baterie neodhazujte do komunálního odpadu. Odevzdejte je do sběren pro likvidaci (recyklaci) speciálního odpadu.
	Nevystavujte ohni
	Nevystavujte dešti nebo vodě
	Vyvarujte se kontaktu špičky řetězové lišty s jakýmkoliv předmětem.
	Kontakt špičky řetězové lišty s obrobkem může způsobit náhlý odskok lišty nahoru a zpět, což může vést k vážnému úrazu obsluhy.
 	Při řezání pilu držte vždy oběma rukama.

xINR18/65-y: Válcové baterie Li-Ion s maximálním průměrem 18 mm a s maximální výškou 65 mm. „x“ znamená počet článků zapojených do série, prázdny údaj, je-li 1, „y“ znamená počet článků zapojených paralelně, prázdny údaj, je-li 1.

SEZNAM SOUČÁSTEK

1. ZADNÍ DRŽADLO
2. SPÍNAČ/SPOUŠŤ
3. UZÁVĚR OLEJOVÉ NÁDRŽKY
4. PŘEDNÍ DRŽADLO
5. OCHRANA RUKY
6. LIŠTA
7. ŘETĚZ
8. KNOFLÍK NAPÍNÁNÍ ŘETĚZU
9. KRYT
10. AKUMULÁTOR *
11. UVOLŇOVACÍ TLAČÍTKO BATERIE *
12. KRYT ZADNÍ RUKOJETI
13. HROTOVÝ DORAZ
14. MĚRKA OLEJE
15. BLOKOVÁNÍ ZAPNUTÍ
16. ŘETĚZOVÉ KOLO
17. SYMBOL SMĚRU BĚHU A ŘEZU
18. OLEJOVÁ TRYSKA
19. UPÍNACÍ SVORKA LIŠTY
20. OTVOR PRO UPEVNĚNÍ LIŠTY
21. VODÍCÍ MŮSTEK LIŠTY
22. KRYT LIŠTY A ŘETĚZU PRO ULOŽENÍ/PŘEPRAVU*(POUZDRO)
23. NAPÍNACÍ VAČKA ŘETĚZU (VIZ OBR. A)
24. RUKOJEŤ PRODLUŽOVACÍHO NÁSTAVCE*
25. ZAJIŠŤOVACÍ RUKOJEŤ*
26. UPÍNACÍ PÁKA*
27. VNITŘNÍ NÁSTAVEC*
28. ZAJIŠŤOVACÍ RUKOJEŤ*
29. SPOJOVACÍ KONZOLE VNĚJŠÍHO NÁSTAVCE*
30. POJISTNÉ TLAČÍTKO RUKOJETI PRODLUŽOVACÍHO NÁSTAVCE*
31. SPÍNAČ ZAP./VYP. RUKOJETI PRODLUŽOVACÍHO NÁSTAVCE*
32. RAMENNÍ POPRUH*

* Standardní dodávka nemusí obsahovat veškeré vyobrazené či popsané příslušenství.

TECHNICKÉ ÚDAJE

Typ **WG322E WG322E.9 WG323E WG323E.9** (3 - Označení strojního zařízení, zástupce řetězové pily a tyčové pily)

	WG322E	WG322E.9	WG323E	WG323E.9
Napětí	20V \equiv Max**			
Délka lišty	25cm			
Rychlost řetězu	3.8m/s			
Kapacita zásobníku oleje	130ml			
Rozteč řetězu	3/8"			
Počet článků řetězu	40			
Velikost řetězu	0.043"			
Adaptivní typ řetězu	ES: 3/8.043-40E/ QIRUI : A0(T)-40E/ OREGON: 90PX040G			
Adaptivní typ lišty	ES: ES104SDEA041/ QIRUI : PO10-43SR(T) / OREGON: 104MLEA041			
Doba nabíjení	5hrs			
Hmotnost (včetně řetězu a lišty)	2.8kg	2.4kg	4.6kg	4.2kg

**Napětí měřené bez zátěže. Počáteční napětí baterie dosáhne maximálně 20 voltů. Jmenovité napětí je 18 voltů.

PŘÍSLUŠENSTVÍ

160

	WG322E	WG322E.9	WG323E	WG323E.9
Řetěz	1	1	1	1
Lišta	1	1	1	1
Kryt pro přepravu	1	1	1	1
Prodlužovací nástavec (WA0166)	/	/	1	1
Nabíječka (WA3760)	1	/	1	/
Akumulátor (WA3551)	1	/	1	/
Ramenní popruh	/	/	1	1

Doporučujeme vám, abyste zakoupili příslušenství ve stejném obchodě, ve kterém jste zakoupili i vaše nářadí. Další podrobnosti naleznete na obalu příslušenství. Personál prodejny vám může pomoci a také vám může poskytnout užitečnou radu.

Akumulátorová řetězová pila CZ

ÚDAJE O HLUKU

	WG322E WG322E.9	WG323E WG323E.9
Naměřená hladina akustického tlaku	$L_{pA} = 87.9 \text{ dB(A)}$	$L_{pA} = 85.7 \text{ dB(A)}$
Naměřený akustický výkon	$L_{wA} = 96 \text{ dB(A)}$	$L_{wA} = 96 \text{ dB(A)}$

$K_{pA} = 3.0 \text{ dB(A)}$

Používejte ochranu sluchu.



INFORMACE O VIBRACÍCH

Celkové hodnoty vibrací (trojosé nebo vektorové součtové měření) stanovené v souladu s EN 60745:

Hodnota vibračních emisí $a_h < 2.5 \text{ m/s}^2$	Kolísání $K = 1.5 \text{ m/s}^2$
---	----------------------------------

Deklarovaná celková hodnota vibrací může být použita pro vzájemné srovnání jednotlivých nářadí a rovněž může být použita k předběžnému stanovení doby práce.

⚠ VÝSTRAHA: Hodnota vibračních emisí během praktického používání tohoto elektrického nástroje se může lišit od deklarované hodnoty podle způsobu, jakým je nástroj používán v závislosti na následujících podmínkách a dalších možnostech použití nástroje: Způsob, jakým je nástroj používán a povaha narušovaných nebo vrтанých materiálů. Dobrý stav nástroje a řádné provádění jeho údržby. Používání správného příslušenství k nástroji, ostrost a dobrý stav příslušenství.

Utažení úchopu na rukojetích a použití antivibračního příslušenství.

Používání nástroje k účelům určeným konstrukcí a v souladu s těmito pokyny.

Při neřízeném používání může tento nástroj způsobit syndrom vibrací rukou a paží.

⚠ VÝSTRAHA: Je třeba upřesnit, že v odhadu úrovně nebezpečí při praktickém používání je nutno rovněž zohlednit všechny fáze pracovního cyklu, například dobu, kdy je nástroj vypnutý a kdy běží naprázdno, ale nevykonává práci. To může podstatně snížit úroveň nebezpečí v rámci celkového pracovního času.

Zásady pro omezení nebezpečí vystavení vibracím:

VŽDY používejte ostré trny, vrťáky a čepele. Provádějte údržbu tohoto nástroje v souladu s těmito pokyny, udržujte nástroj dobře promazaný (odpovídajícím způsobem).

Má-li být tento nástroj používán pravidelně, zakupte antivibrační příslušenství.

Naplánujte práci tak, aby bylo provádění úkolů, které vyžadují silné vibrace nástroje, rozloženo do několika dní.

PŘEDMĚT POUŽITÍ

Tento stroj je určen k porážení stromů a dále k řezání kmenů, větví, dřevěných trámů, prken apod. a lze jej použít k provádění podélných a příčných řezů vůči směru vláken dřeva. Tento stroj není vhodný k řezání minerálních materiálů.

MONTÁŽ

⚠ VÝSTRAHA! Neinstalujte akumulátor před kompletním sestavením. Při manipulaci s pilovým řetězem noste vždy ochranné rukavice.

MONTÁŽ LIŠTY A PILOVÉHO ŘETĚZU

1. Všechny díly opatrně vybalte.
2. Položte řetězovou pilu na pevnou a rovnou plochu.
3. Používejte pouze originální řetězy WORX, nebo řetězy doporučené pro vodící lišty.
4. Vložte pilový řetěz (7) do oběhové drážky lišty (6). Porovnáním s vyznačenou ikonou řetězu na vodící liště, nebo podle symbolu směru chodu řetězu (17) vyznačeného na těle pily se ujistěte, zda je řetěz natažen ve správném směru otáčení. Zjistěte, aby napínací vačka řetězu (23) ukazovala směrem ven. (Viz Obr. A)
5. Články řetězu položte okolo řetězového kola (16) tak, aby před a za upevňovacím čepem (20) ležící vodící mstky lišty (21) zapadly do podélných otvorů lišty (6). (Viz Obr. B1, B2)
6. Zkontrolujte, jsou-li všechny díly správně umístěny. Ujistěte se, zda jsou hnací články řetězu řádně zabazeny na hnacím ozubeném kole (Viz Obr. C1), uzavřete zatuhnutí článků řetězu zobrazenému na obr. C2. Dojde-li k zatuhnutí článků řetězu, zvedněte řetěz na vodící liště a proveďte uvolnění článků řetězu.

POZNÁMKA: Řetěz se musí otáčet volně a nesmí na něm být žádné zatuhnuté články.

7. Nasadte kryt řetězu (9) a utáhněte kryt řetězu otáčecím napínákem řetězu (8) ve směru pohybu hodinových ručiček tak, aby byl řetěz napnutý. (Viz Obr. D)

⚠ VÁROVÁNÍ: Pilový řetěz ještě není napnut. Napínání pilového řetězu se provádí jak je popsáno v odstavci „Napnutí pilového řetězu“. Nyní je nutné provést kontrolu řetězu, zda je správně napnut.

NAPNUTÍ PILOVÉHO ŘETĚZU (viz obr. E1, E2)

POZNÁMKA: Nové řetězy pily se budou roztahovat. Při prvním použití provádějte často kontrolu napnutí řetězu pily a dojde-li k uvolnění řetězu (7) na vodící liště (6), proveďte jeho napnutí.

⚠ VÁROVÁNÍ:

- Před napínáním řetězu vždy nejdříve vyjměte z pily baterii.
- Řezací čepele řetězu jsou ostré. Při manipulaci s

řetězem používejte ochranné rukavice.

- Vždy udržujte správné napnutí řetězu. Uvolněný řetěz zvyšuje nebezpečí zpětného rázu. Uvolněný řetěz může vyskočit z vodící drážky lišty. Může dojít ke zranění obsluhy a poškození řetězu. Uvolněný řetěz způsobuje rychlé opotřebení řetězu, lišty a řetězového kola.

1. Řetězovou pilu položte na rovnou plochu.
2. Otáčejte upínací madlo/ knoflík napínání řetězu (8) po směru hodin tak, aby bylo upínací madlo pevně zašroubováno. Správného dosažení řetězu bude dosaženo automaticky.

POZNÁMKA: Otáčením knoflíku napínání řetězu (8) ve směru chodu hodinových ručiček bude napnutí řetězu automaticky zvyšeno. Přeskakující mechanika zabrání tomu, aby se napnutí řetězu uvolnilo.

3. Nakloňte pilu směrem dopředu (Viz Obr. E1) tak, aby špička vodící lišty (6) směřovala vzhůru. Tím se odstraní prověšení řetězu.
4. Knoflík napínání řetězu (8) otáčením ve směru chodu hodinových ručiček zcela dotáhněte.
5. Ještě jednou zkontrolujte napnutí nastavené pomocí rukojeti s automatickým napnutím řetězu. Správné napnutí řetězu je dosaženo, pokud lze řetěz (7) ve středové části zdvihnout z vodící lišty (6) přibližně do poloviny hloubky vodícího článku řetězu. Tento úkon by měl být proveden jednou rukou zdvižením řetězu zatíženého pouze vlastní hmotností pily. (Viz Obr. E2)

POZNÁMKA: Řetěz (7) je správně napnut, pokud jej lze zvednout z vodící lišty (6), a vodící článek řetězu přitom zůstane uvnitř kolejnice vodící lišty (6).

POZNÁMKA: Řetěz (7) se v průběhu řezání natahuje a ztrácí správné napnutí. Pokud se řetěz uvolní, zcela odšroubujte knoflík napínání řetězu (8), nebo jej otočte třemi plnými otáčkami proti směru chodu hodinových ručiček a poté řetěz opět správně napněte dotažením knoflíku napínání řetězu (8) postupem podle výše uvedených kroků 1-4.

MONTÁŽ PRODLUŽOVACÍHO NÁSTAVCE (pouze pro WG323E, WG323E.9)

Rukojet srovnajte a zasuňte do prodlužovacího dílu a ten do hřídele. Zajišťovací rukojetí otáčejte ve směru hodinových ručiček. (Viz Obr. F1, F2)

POZNÁMKA: Ujistěte se, zda je hřídel na svém místě pevně zajištěna.

MONTÁŽ PRODLUŽOVACÍHO NÁSTAVCE KE STROJI (Viz Obr. G1)

Krok 1: Spojovací konzolí vnějšího nástavce (29) srovnajte a zasuňte do pily.

Krok 2: Zajišťovací rukojetí (28) otočte proti směru chodu hodinových ručiček tak, aby se prodlužovací nástavec ke stroji dotáhl.

POZNÁMKA: Před spuštěním stroje se ujistěte, zda je prodlužovací nástavec ve své poloze řádně zajištěn.

DEMONTÁŽ PRODLUŽOVACÍHO NÁSTAVCE (Viz Obr. G2)

Krok 1: Zajišťovací rukojetí (28) otočte ve směru chodu hodinových ručiček tak, aby se uvolnila a vytáhněte ji ven.

Krok 2: Pilu posuven odpojte od prodlužovacího nástavce.



VAROVÁNÍ!

• **Pokud pilu používáte s prodlužovacím nástavcem ujistěte se, zda je vyjmut akumulátor.**

Nastavení délky prodlužovacího nástavce
Tyčová přeřezávací pila obsahuje teleskopický prodlužovací nástavec, který je možno upravit v délce 2 m (zcela zasunut) až na 2,7 m (plně vytážen). Upínací páka (26) slouží k udržení nastavené libovolné délky prodlužovacího nástavce v dané poloze.

1. Chcete-li nástavec prodloužit, uvolněte upínací páku, jak je znázorněno na obrázku H. Nástavcem lze volně posouvat.
2. Vytáhněte vnitřní část prodlužovacího nástavce na požadovanou délku prodloužení. Poznámka: Použijte pouze minimální délku nástavce potřebnou k dosažení konce řezané větve.
3. Zajištění prodlužovacího nástavce v požadované délce provedete utažením upínací páky, jak je znázorněno na obrázku H.

MAZÁNÍ ŘETĚZU



DŮLEŽITÉ: Řetězová pila se nedodává naplněná olejem na řetězové pily. Je důležité ji před použitím naplnit olejem.

Použití řetězové pily bez oleje na řetězové pily nebo při stavu oleje pod značkou minima vede k poškození řetězové pily.

POZNÁMKA: Životnost a rezný výkon řetězu závisí na optimálním mazání. Proto je během provozu pilový řetěz automaticky mazán olejem na řetězové pily.

NAPLNĚNÍ OLEJOVÉ NÁDRŽKY:



VAROVÁNÍ: Před naplněním olejevé nádrže vyjměte akumulátor.

1. Řetězovou pilu odstavte na vhodnou podložku uzavěrem olejevé nádržky nahoru (3).
2. Hadříkem očistěte prostor kolem uzavěru olejevé nádržky a uzavěr odšroubujte.
3. Zcela naplňte nádržku olejem pro řetězové pily.
4. Zabraňte tomu, aby se do nádržky dostaly nečistoty a prach. Nasadte na nádržku uzavěr (3) a rukou jej řádně utáhněte ve směru pohybu hodinových ručiček.



DŮLEŽITÉ: pro umožnění výměny vzduchu mezi olejoovou nádržkou a okolím jsou mezi sítkem a uzavěrem olejevé nádržky čtyři malé vyrovnávací kanálky, jimiž může funkci podmíněně vytekat v omezeném množství olej. Dbejte prosím na to, aby byla pila odložena vždy vodorovně (uzavěrem olejevé nádržky (3) nahoru). Použijte výhodné biologicky odbouratelný olej na řetězové pily, aby se zabránilo poškození řetězu (Grade: ISO VG32). Tento olej můžete získat na místě, kde jste zakoupili tuto pilu nebo v místním obchodě s těmito výrobky. Nikdy nepoužívejte

recyklovaný nebo starý olej. Při použití nedovoleného oleje záruka zaniká. Nespolkněte. V případě požití ihned vyhledejte lékařskou pomoc. Uchovávejte mimo dosah dětí. Skladujte mimo dosah tepla nebo otevřeného ohně.

KONTROLA AUTOMATICKÉ MAZNICE

Správné fungování automatické maznice lze zkontrolovat spuštěním řetězové pily a nasměrováním špičky vodící lišty (6) směrem ke kousku kartonu nebo papíru umístěného na zemi. Pokud na kartonu olejová skvrna roste, maznice pracuje správně. Pokud se na kartonu olejová skvrna neobjeví, a to i přes to, že je olejová nádržka plná, obraťte se na zákaznický servis WORX nebo na autorizovaného servisního zástupce WORX.



UPOZORNĚNÍ: Řetězem se nedotýkejte země. Držujte bezpečnou vzdálenost 30 cm.

POUŽITÍ

1. PŘED POUŽITÍM VAŠEHO AKUMULÁTOROVÉHO NÁŘADÍ



VAROVÁNÍ! Tato nabíječka a akumulátor jsou speciálně konstruovány pro vzájemné používání – nezkoušejte používat jiná zařízení. Vždy zabraňte vniknutí kovových předmětů do nabíječky nebo kontaktu kovových předmětů s póly akumulátoru, což by mohlo způsobit elektrickou závadu i úraz.

POZNÁMKA: Akumulátor NENÍ NABITÝ a před používáním je nezbytné jej nabít. Nabíječka se dodává s akumulátorem vloženým v nářadí. Nepoužívejte jiný typ nabíječky.

2. NABÍJENÍ AKUMULÁTORU

Lithiová baterie je chráněna proti úplnému vybití. Když se baterie vybijí, ochranný obvod vypne nářadí. Vřeteno se přestane otáčet.

V teplém prostředí Komma nebo při intenzivní práci se akumulátor natolik zahřeje, že se nedá ihned nabíjet. Před začátkem nabíjení nechte baterii vychladnout.

3. VYJMUTÍ NEBO NASAZENÍ AKUMULÁTORU (Viz Obr. 11, 12, 13)

Stiskněte uvolňovací tlačítko akumulátorového bloku a akumulátor z nářadím sejměte. Po nabití zasuněte akumulátor do určeného vybrání pro jeho připojení. Stačí jednoduše stisknout a mírně přitlačit, až uslyšíte cvaknutí. Pohledem zkontrolujte, zda je akumulátor plně dosazen.

POZNÁMKA: Při vyjímání baterii vždy pevně držte, abyste zabránili jejímu pádu a možnému zranění.

4. ZAPNUTÍ A VYPNUTÍ (Viz Obr. J)



POZOR: Před použitím akumulátorového nářadí zkontrolujte typ akumulátoru.

Používejte pouze typ akumulátoru uvedený v části týkající se příslušenství
K uvedení zařízení do provozu stiskněte tlačítko

blokování zapnutí (15), potom zcela stisknete spínač (2) a podržte jej v této poloze. Tlačítko blokování zapnutí lze nyní uvolnit.

K vypnutí uvolníte spínač.

5. ŘEZÁNÍ



DŮLEŽITÉ: je olejová nádržka naplněna? Ukazatel stavu oleje (14) před prací a pravidelně během práce kontrolujte. (Viz Obr. K1) Doplňte olej, když hladina oleje dosáhla spodní hrany v průhledovém okénku. Naplň vystačí v závislosti na přestávkách a intenzitě práce na ca. 12 minut.

Napnutí řetězu kontrolujte během řezání každých 10 minut.

- 1) Do řetězové pily vložte akumulátor.
- 2) Ujistěte se, zda řezaná část kmene neleží na zemi. Tím bude zabráněno kontaktu řetězu (7) se zemí a vedení řezu skrze kmen. Kontakt řetězu se zemí. Pokud je v chodu, je nebezpečný a způsobí jeho otupení.
- 3) Pro bezpečný úchop pily vždy používejte obě ruce. Vždy používejte levou ruku k úchopu přední rukojeti (4) a pravou ruku k úchopu zadní rukojeti (1). Pílu držte pevně. Palec a prsty musí být okolo rukojeti pily ovinuty. (Viz Obr. K2)
- 4) Ujistěte se, zda máte pevný postoj. Chodidla mějte rozkročena na šířku ramen. Rozdělte svou váhu rovnoměrně na obě nohy.
- 5) Až budete připraveni k provedení řezu, pravým palcem zcela stiskněte odjišťovací tlačítko (15) a stlačte spoušť pily. Tím bude pila spuštěna. Pílu vypnete uvolněním stisku spouště. Před započetím řezu se ujistěte, zda pila běží v plných otáčkách.
- 6) Při započetí řezu pomalu položte otáčející se řetěz na řezané dřevo. Řezané dřevo by mělo být co nejbližší k tělu pily, jak je jen možné. Držte pílu pevně na místě, aby se zabránilo možnému odsakování nebo klouzání (boční posun) pily.
- 7) Pílu vedte s mírným přitlakem a nevyvíjejte na ni nadměrnou sílu, nechejte pílu řezat vlastním tempem. Motor by se přetížil a mohlo by dojít k jeho spálení. Při volbě správných otáček bude práce provedena lépe a bezpečněji.
- 8) Pílu vyjměte ze zářezu při plných otáčkách. Pílu zastavte uvolněním spínače On/Off (zap./vyp.) (2). Před položením pily na zem se ujistěte, zda se řetěz zcela zastavil.
- 9) Procvičte si řezání na kusu odpadových větví na bezpečném pracovním místě, dokud nedosáhnete pohodlí při práci, plynulého pohybu a stabilní řezné rychlosti.

Bezpečnostní zařízení zabráňující zpětnému rázu této pily

Tato pila je vybavena řetězem s nízkým zpětným rázem a také vodící lištou s redukcí zpětného rázu. Obě tyto součásti redukcí možný zpětný ráz. Avšak zpětný ráz u této pily nastat může.

Následující kroky omezí nebezpečí zpětného rázu.

- Při řezání přidržujte pílu oběma rukama. Udržujte pevný úchop. Palec a prsty musí obtáčet držadla pily.

- Ponechte veškeré bezpečnostní prvky na pile.
- Zapištěte, aby fungovaly správně.
- Nepřetěžujte se, ani nefežte nad výškou ramen.
- Vždy pracujte v rovnovážné a stabilní poloze.
- Udržujte postoj mírně z levé strany pily. Tím vaše tělo nebude v přímé linii s řetězem pily.
- Zabraňte, aby se během otáčení řetězu špička vodící lišty čehokoli dotkla.
- Nikdy se nepokoušejte fežat dva kmeny současně. Vždy fežte pouze jediný kmen.
- Nezafežávejte špičku vodící lišty ani se nepokoušejte o svislý fež (fežání do dřeva špičkou vodící lišty).
- Dávejte pozor na pohyb dřeva nebo jiné síly, které by mohly sevřít řetěz.
- Při pokračování v předchozím fežu používejte maximální opatnost.
- Používejte pouze řetěz a vodící lištu (6) s nízkým zpětným rázem dodané s touto řetězovou pilou.
- Nikdy nepoužívejte tupý nebo volný řetěz. Udržujte řetěz ostrý a správně napnutý.

Jak pilu používat bezpečně

1. Pilu používejte pouze pokud máte pevný postoj.
2. Pilu držte po pravé straně vašeho těla (Viz Obr. L).
3. Před kontaktem se dřevem musí řetěz (7) dosáhnout plných otáček.
4. Před zahájením fežu použijte hrotový doraz (13) pro zajištění polohy pily v dřevěném materiálu.
5. Při fežání použijte hrotový doraz jako pákový bod. (Viz Obr. M)
6. Neprovodujte řetězovou pilu s plně rozevřenými rukama, se snahou fežat těžce dosažitelná místa, nebo při fežání stát na žebříku (Viz Obr. N).

Nikdy nepoužívejte tuto pilu ve výšce přesahující vaše ramena.

ŘEZÁNÍ DŘEVA POD PNUTÍM (VIZ OBR. O)

VAROVÁNÍ: Při řezání dřeva, větví nebo stromů, které je pod pnutím, vzniká zvýšené nebezpečí poranění. Zde je vyžadována extrémní pozornost. Dávejte pozor na zpětné odpružení dřeva. Když je pnutí dřeva uvolněno, větev se může vymrštit zpět a udeřit tak obsluhu pily a tím jí způsobit vážné zranění nebo i smrt.

Leží-li dřevo na obou stranách, nejprve fežte shora (Y) do třetiny průměru kmene a potom zespodu (Z) na tomtéž místě kmen přeřízněte (horní strana tesařské kozy), vyvarujte se třísek a sevření pily. Zabraňte přitom kontaktu pilového řetězu se zemí. Leží-li dřevo jen na jedné straně, nejprve fežte zespodu (Y) nahoru do třetiny průměru kmene (spodní strana tesařské kozy) a potom shora (Z) na tomtéž místě kmen přeřízněte, vyvarujte se třísek a sevření pily.

Obsluha tyčové prořezávací pily (pouze pro WG323E, WG323E.9)

Řezání s ramenním popruhem (Viz Obr. P1)

Prodlužovací nástavec je dodáván včetně ramenního popruhu, který poskytuje dodatečnou oporu při zdvihu čelisti pily do vzduchu. Ramenní popruh zavěste za prodlužovací nástavec a ovíňte okolo vašeho ramene. Ramenní popruh může také zmírnit ráz, který vznikne odskočením

prořezávací pily Řetězová pila po dokončení fežu.

Řezání s prodlužovacím nástavcem

1. Do řetězové pily vložte akumulátor.
2. Před řezáním větví ve velkých výškách vezměte v úvahu všechny pokyny podrobně popsané v předchozí části "Odstranění větví", zvláštní pozornost ale věnujte předpokládané dráze padající větve.



VAROVÁNÍ: Nestůjte přímo pod řezanou větví. Okolní osoby držte v dostatečné vzdálenosti. Při práci s pilou nestůjte na žebříku či jiné nestabilní podpoře. S pilou nepracujte v blízkosti kabelů, elektrického nebo telefonního vedení. Od jakéhokoli elektrického vedení udržujte odstup 3 m. (Viz Obr. P2-P5)

3. Pro bezpečný úchop pily vždy používejte obě ruce. Při práci s tyčovou prořezávací pilou používejte pouze určené oblasti úchopu rukojeti (Viz Obr. P6). Pilu držte pevně. Palec a prsty musí být okolo rukojeti pily ovinuty.
4. Pilu držte pevně. Palec a prsty musí být okolo rukojeti pily ovinuty.
5. Až budete připraveni k provedení fežu, pravým palcem zcela stiskněte odlišťovací tlačítko (30), poté plně stiskněte spínač Zap./Vyp.(31) (Viz Obr. P7). Tím bude pila spuštěna. Pilu vypnete uvolněním stisku spouště. Před započítím fežu se ujistěte, zda pila běží v plných otáčkách.
6. Při započítí fežu pomalu položte otáčející se řetěz na řezané dřevo. Držte pilu pevně na místě, aby se zabránilo možnému odsakování nebo klouzání (boční posun) pily.
7. Pilu vedte s mírným přitlakem a nevyvíjejte na ni nadměrnou sílu. Motor by se přetížil a mohlo by dojít k jeho spálení. Při volbě správných otáček bude práce provedena lépe a bezpečněji.
8. Pilu vyjměte ze zářezu při plných otáčkách. Pilu zastavte uvolněním spínače On/Off (zap./vyp.). Před položením pily na zem se ujistěte, zda se řetěz zcela zastavil.

OŘEZÁVÁNÍ STROMŮ (VYVĚTVOVÁNÍ)

VAROVÁNÍ: Vyhnete se zpětnému rázu. Zpětný ráz může způsobit vážné zranění nebo smrt.

Jak lze zabránit riziku zpětného rázu naleznete v kapitole Zpětný ráz.

VAROVÁNÍ: Nepoužívejte tyčovou prořezávací pilu pokud stojíte:

- na stromě
- na žebříku nebo na jiném nestabilním povrchu
- v jakékoliv nepohodlné poloze

Může dojít ke ztrátě kontroly nad tyčovou prořezávací pilou a tím ke vzniku vážného zranění.



VAROVÁNÍ: S tyčovou prořezávací pilou nepracujte, pokud máte ruce v poloze nad rameny.

UPOZORNĚNÍ: Pokud okolní podmínky přesahují vaše schopnosti, vyhledejte

odbornou pomoc.

Řezání stromů je proces odězávání větví z živého stromu. Ujistěte se, zda máte pevný postoj. Chodila mějte rozkročený na šířku ramen. Rozdělte svou váhu rovnoměrně na obě nohy.

Při řezání stromů postupujte podle níže uvedených pokynů.

1. Nejprve proveďte první řez 15 cm od kmene stromu ze spodní strany větve. Pro tento řez použijte horní část vodící lišty. Odřízněte 1/3 průměru větve (Viz Obr. P8).
2. Řez posuňte dále po větvi o 5 až 10 cm. Proveďte druhý řez z horní strany větve. Pokračujte v řezu, dokud celou větev neodříznete.
3. Třetí řez proveďte co nejbližší ke kmene stromu ze spodní strany větve. Pro tento řez použijte horní část vodící lišty. Odřízněte 1/3 průměru větve.
4. Proveďte čtvrtý řez přímo nad třetím řezem. Dokončíte vedení třetího řezu. Tím se zcela odstraní větev.

ÚDRŽBA PILY

Dodržujte pokyny pro údržbu uvedené v tomto návodu. Správné čištění a údržba řetězu pily a vodící lišty, a také celé pily, mohou snížit šance na vznik zpětného rázu. Po každém použití pily proveďte její kontrolu a údržbu. Tímto způsobem prodloužíte provozní životnost vaší pily.

POZNÁMKA: Dokonce i při použití pily se správně nabroušeným řetězem se může po každém nabroušení zvýšit riziko zpětného rázu.

ÚDRŽBA A SKLADOVÁNÍ ŘETĚZOVÉ PILY

1. V následujících případech vyjměte z pily baterii:

- Není-li pila používána
- Před přesunem z jednoho místa na druhé
- Před prováděním údržby.
- Před výměnou příslušenství nebo doplňků, jako jsou řetěz pily a vodící lišta.

2. Před každým a po každém použití zkontrolujte na pile. Pečlivě zkontrolujte pilu, zda nedošlo k poškození ochranného krytu nebo jiného dílu. Zkontrolujte, zda nedošlo k jakémukoliv poškození, které by mohlo ovlivnit bezpečnost obsluhy nebo provozu pily. Zkontrolujte, zda nedošlo k vychylení nebo rozpojení pohyblivých částí. Zkontrolujte, zda nedošlo ke zlomení nebo poškození některých dílů. Nepoužívejte řetězovou pilu, pokud má poškození vliv na bezpečnost nebo provoz. Poškození nechejte opravit v autorizovaném servisním středisku. Místa autorizovaných servisních středisek naleznete na internetové stránce www.worx.com.

3. Provádějte pečlivou údržbu řetězové pily.

- Nikdy pilu nevystavujte dešti nebo přímému působení vlhkosti.
- Dbejte na to, aby byl řetěz pily stále ostrý, čistý a

namazaný, čímž bude zaručen lepší a bezpečnější provoz.

- Při broušení řetězu pily dodržujte kroky popsané v tomto návodu.
- Rukojeti udržujte suché, čisté, nezašlehané olejem a mazivou.
- Dbejte na to, aby byly všechny šrouby a matice řádně utaženy.

4. Při provádění servisu vždy používejte pouze originální náhradní díly.

5. Pokud pilu nepoužíváte, vždy ji uskladněte.

Na vysokém nebo uzamykatelném místě, mimo dosah dětí.

- Na suchém místě.
- S nasazenou lištou a krytem pily (9).

Údržba vodící lišty

Pro maximální životnost vodící lišty je doporučena následující údržba.

Nosné kolejničky vodící lišty, které nesou řetěz, by měly být očištěny před uložením pily, nebo pokud jsou řetěz či vodící lišta zaneseny nečistotami.

Kolejničky by měly být očištěny po každém sejmutí řetězu.

Čištění nosných kolejniček vodící lišty:

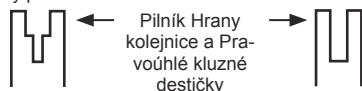
1. Odstraňte kryt řetězu a poté vodící lištu a řetěz. (viz kapitola SESTAVENÍ)
2. Z kolejniček vodící lišty odstraňte nečistoty pomocí drátěného kartáče, šroubováku či podobného vhodného nářadí. (Viz Obr. Q)
3. Ujistěte se, zda jste pečlivě očištěli místa s nánosy mazuva.

Situace, které vyžadují údržbu řetězu (7) a vodící lišty (6):

- Řezy na jedné straně, nebo pod úhlem.
- Pila byla při řezu tlačena silou.
- Nedostatečný přívod oleje do lišty a řetězu.

Zkontrolujte stav vodící lišty po každém naostřování řetězu. Opatřovaná lišta způsobí poškození řetězu a řezání tak bude obtížné.

Po každém použití pilu odpojte od napájecího zdroje, z vodící lišty a z otvoru řetězového kola odstraňte veškeré nánosy pilin.



Opatřovaná drážka

Správný tvar drážky

Vyměňte vodící lištu, pokud je drážka opotřebená, vodící lišta je ohnutá nebo prasklá, nebo pokud se vyskytne nadměrné zahřívání nebo třepení kolejniček. Pokud je nutná výměna, používejte pouze vodící lišty specifikované pro vaši pilu v seznamu náhradních dílů nebo na štítku vaší řetězové pily.

Výměna/otočení pilového řetězu a lišty

Provedte výměnu řetězu pily, jsou-li zuby řetězu příliš opotřebené nebo dojde-li k prasknutí řetězu.

Používejte pouze řemen, který je uveden v tomto návodu.

Před broušením řetězu zkontrolujte vodící lištu.

Opatřovaná nebo poškozená vodící lišta je velmi nebezpečná. Opatřovaná nebo poškozená vodící lišta způsobí poškození řetězu pily a řezání bude mnohem náročnější.

Potom namontujte napínací vačku (23) na novou lištu utažením šroubu po směru hodin. Výstupek vačky (a) se musí nacházet v otvoru lišty. (Viz Obr. R)

OSTŘENÍ PILOVÉHO ŘETĚZU

VAROVÁNÍ: Před prováděním servisu vyjměte z pily baterii. Při kontaktu vašeho těla s pohybujícím se řetězem nebo při úrazu elektrickým proudem může dojít k vážnému, dokonce i smrtelnému zranění.

Řezací čepele řetězu jsou ostré. Při manipulaci s řetězem používejte ochranné rukavice.

Dbejte na to, aby byl řetěz pily stále ostrý. Vaše pila bude řezat rychleji a bezpečněji. Tupý řetěz pily bude způsobovat zbytečně velké opotřebování hnacího řetězového kola, vodící lišty, řetězu pily a motoru. Musíte-li řetěz pily tlačit do dřeva silou a vzniká-li při řezání pouze prach s několika velkými třískami, řetěz pily je tupý.

ŘETĚZOVÉ KOLO MAŽTE



VAROVÁNÍ: Při provádění údržby nebo servisu tohoto nářadí používejte silné ochranné rukavice.

Před prováděním servisu nebo údržby této pily vždy vyjměte akumulátor.

POZNÁMKA: Při mazání rozety není nutné demontovat řetěz nebo lištu

1. Očistěte lištu a rozetu
2. Zasuňte špičku mazací pistole do mazacího otvoru a vtačujte mazivo do otvoru, až se objeví na vnějším okraji špičky s rozetou. (Viz Obr. S)
3. Chcete-li otočit řetězovým kolem, uvolněte zarážku řetězu a rukou řetěz povytáhněte tak, aby nenamazaná strana řetězového kola byla v rovinné s mazným otvorem. Postup mazání opakujte.

OCHRANA ŽIVOTNÍHO PROSTŘEDÍ

 Vysloužilé elektrické přístroje nevyhazujte společně s domovním odpadem. Nářadí  recykluje ve sběrnách k tomu účelu zřízených. O možnostech recyklace se informujte na místních úřadech nebo u prodejce.

ODSTRAŇOVÁNÍ PROBLÉMŮ

Pokud Vaše elektronářadí nefunguje bezvadně, následující tabulka Vám ukáže příznaky závad, možné příčiny a též opatření k nápravě. Nemůžete-li tím problém identifikovat a odstranit, obraťte se na Vaš servis.

POZOR: před hledáním závady elektronářadí vypněte a odejměte akumulátor.

Příznak	Možné příčiny	Možné řešení
Řetězová pila nefunguje	Out of battery. Fuse faulty.	Nabijte baterii. Vyměňte pojistku.
Chain saw operates intermittently	Přehřátí Příliš vysoký přítlak při řezání. Uvolněný spoj. Kontakt Interní vadný el. Kontakt Vadný spínač.	Pilu položte na chladné, větrané místo, aby mohla vychladnout. Během řezání na pilu příliš netlačte. Vyhledejte odborný servis. Vyhledejte odborný servis. Vyhledejte odborný servis.
Dry chain	V olejové nádržce není žádný olej Odvzdušnění v uzávěru olejové nádržky ucpáno Výtokový kanál oleje ucpán	Doplňte olej Očistěte uzávěr olejové nádržky Uvolněte výtokový kanál
Řetěz/vodící lišta horká	V olejové nádržce není žádný olej. Odvzdušnění v uzávěru olejové nádržky ucpáno. Výtokový kanál oleje ucpán. Příliš vysoké napnutí řetězu. Tupý řetěz.	Doplňte olej. Očistěte uzávěr olejové nádržky. Uvolněte výtokový kanál. Seřídte napnutí řetězu. Řetěz nabrušte nebo nahradte.
Pilový řetěz škupe, vibruje nebo neřeže správně	Příliš volné napnutí řetězu. Tupý řetěz. Opotřebený řetěz. Pilové zuby ukazují do špatného směru.	Seřídte napnutí řetězu. Řetěz nabrušte nebo nahradte. Řetěz nahradte. Pilový řetěz nově namontujte se zuby ve správném směru.

PROHLÁŠENÍ O SHODĚ

My,
Positec Germany GmbH
Grüner Weg 10, 50825 Cologne, Germany

Tímto prohlašujeme, že výrobek
Popis **Řetězová a tyčová akumulátorová pila**
Typ **WG322E WG322E.9 WG323E WG323E.9**
(3 - Označení strojního zařízení, zástupce
řetězové pily a tyčové pily)
Funkce **Rezáni dřeva**

Splňuje požadavky následujících směrnic
2006/42/EC
2014/30/EU
2011/65/EU
2000/14/EC v novelizaci 2005/88/EC

Pověřený úřední orgán
**Název: Intertek Deutschland GmbH (úřední
vyhláška 0905)**
**Adresa: Stangenstraße 1, 70771 LEINFELDEN-
ECHTERDINGEN**
**Číslo certifikátu: 17SHW1086-01 (WG322E
WG322E.9) 17SHW1166-01 (WG323E
WG323E.9)**

WG322E WG322E.9
2000/14/EC v novelizaci 2005/88/EC:
- Postup posuzování shody podle **Dodatek V**
- Měřený akustický výkon **94.7 dB(A)**
- Deklarovaný zaručený akustický výkon **96 dB(A)**

WG323E WG323E.9
2000/14/EC v novelizaci 2005/88/EC:
- Postup posuzování shody podle **Dodatek V**
- Měřený akustický výkon **95.2 dB(A)**
- Deklarovaný zaručený akustický výkon **96 dB(A)**

Splňované normy:
EN 60745-1
EN 60745-2-13
EN ISO 3744
EN 55014-1
EN 55014-2
Součást EN ISO11680-1

Osoba odpovídající za vytvoření technické dokumentace,
Jméno: Marcel Filz
**Adresa: Positec Germany GmbH, Grüner
Weg 10, 50825 Cologne, Germany**



2018/03/09
Allen Ding
Zástupce vrchní konstrukční kanceláře, Testování &
Certifikace
Positec Technology (China) Co., Ltd.
18, Dongwang Road, Suzhou Industrial
Park, Jiangu 215123, P. R. China

VŠEOBECNÉ BEZPEČNOSTNÉ VAROVANIA NA POUŽÍVANIE ELEKTRICKÉHO NÁRADIA



VAROVANIE: prečítajte všetky bezpečnostné varovania a inštrukcie.

Chyba pri sledovaní varovaní a inštrukcií môže viesť k elektrickému šoku, vypuknutiu požiaru a/alebo k vážnym zraneniam.

Odložte si všetky varovania a inštrukcie pre budúcu potrebu.

Výraz „elektrické ručné náradie“ vás vo varovaniach odkazuje buď na náradie na elektrický pohon (napájané z elektrickej siete) alebo na akumulátorové náradie (napájané z akumulátora).

1. BEZPEČNOSŤ NA PRACOVISKU

- Udržujte pracovisko čisté a dobre osvetlené.** Pracovisko plné nepotrebných predmetov alebo slabo osvetlené zvyšuje možnosť úrazu.
- Nepoužívajte elektrické ručné náradie v prostredí náchylnom na explóziu, ako napríklad v prítomnosti horľavých tekutín, plynov alebo prachu.** Elektrické ručné náradie vytvára iskry, ktoré môžu vznietiť prach alebo výpary.
- Udržujte deti a prízerajúcich sa v dostatočnej vzdialenosti pri práci s elektrickým ručným náradím.** Strata pozornosti môže viesť k strate kontroly nad náradím.

2. BEZPEČNOSŤ PRI PRÁCI S ELEKTRINOU

- Prípojky elektrického ručného náradia musia byť zhodné so zástrčkami.** Nemodifikujte prípojku žiadnym spôsobom. Nepoužívajte spolu s uzemneným ručným náradím žiadne adaptérové prípojky, ktoré neumožňujú ochranu uzemnením. Pôvodné prípojky a k nim prislúchajúce zástrčky znižujú riziko úrazu elektrickým prúdom.
- Vyhýbajte sa kontaktu s uzemnenými povrchmi, ako napríklad rúrkami, radiátormi, sporákmi a chladničkami.** Keď je vaše telo spojené s uzemneným predmetom alebo stojí na uzemnenom území, je zvýšené riziko elektrického šoku.
- Nevystavujte ručné náradie dažďu alebo vlhkým podmienkam.** Keď sa voda dostane pod povrch elektrického ručného náradia, je zvýšené riziko elektrického šoku.
- Nezaobchádzajte s káblom prípojky necitlivo.** Nikdy si nepriťahujte elektrické ručné náradie k sebe pomocou kábla, neťahajte ho za sebou pomocou kábla a nevytrhávajte kábel zo zástrčky aby ste ručné náradie vyplí. Nevystavujte kábel vysokým teplotám, oleju, ostrým hranám alebo pohyblivým častiam. Poškodené alebo zamotané káble môžu viesť

k zvýšenému riziku elektrického šoku.

- Pri práci s ručným náradím v exteriéri použite predlžovací kábel vhodný na použitie v exteriéri.** Použitím kábla vhodného na použitie v exteriéri redukuje riziko vzniku elektrického šoku.
- Pokiaľ je práca s ručným náradím vo vlhkých podmienkach nevyhnutná, použite napájanie chránené ističom typu prúdový chránič (RCD).** Použitie RCD ističa redukuje riziko vzniku elektrického šoku.

3. OSOBNÁ BEZPEČNOSŤ

- Buďte sústredení, sledujte, čo robíte, a pri práci s ručným náradím sa riadte zdravým rozumom.** Nepoužívajte ručné náradie, keď ste unavení alebo pod vplyvom omamných látok, alkoholu alebo liekov. Moment nepozornosti pri práci s ručným náradím môže viesť k vážnemu osobnému zraneniu.
 - Použite osobné ochranné pomôcky. Vždy noste ochranu očí.** Ochranné pomôcky, ako napríklad protiprachová maska, topánky s protišmykovou podrážkou alebo chrániče sluchu použité v príslušných podmienkach pomáhajú redukovat' vážne osobné zranenia.
 - Predíd'te neúmyselnému zapnutiu.** Uistite sa, že prepínač je vo vypnutej pozícii, pred tým, než zapojíte náradie do elektriny a/alebo k akumulátoru, pri zdvihnutí alebo nosení náradia. Nosenie náradia s prstom na prepínači alebo aktívneho náradia, ktoré je zapnuté, zvyšuje možnosť úrazu.
 - Odstráňte akékoľvek nastavovacie kľúče alebo kľúče na matice a skrutky pred tým, než zapnete ručné náradie.** Nastavovací alebo iný kľuč ponechaný pripavený na rotujúcej časti ručného náradia môže spôsobiť osobný úraz.
 - Neprečunujte sa.** Udržujte si stabilitu a pevnú zem pod nohami za každých podmienok. Umožňuje vám to lepšiu kontrolu nad ručným náradím v neočakávaných situáciách.
 - Oblečte sa náležite.** Nenoste voľné oblečenie alebo šperky. Udržujte svoje vlasy, oblečenie a rukavice vzdialené od pohyblivých častí. Voľné oblečenie, šperky alebo dlhé vlasy sa môžu do pohyblivých častí zachytiť.
 - Sú zariadenia nastavené na spojenie so zariadeniami na zachytávanie a extrakciu prachu, uistite sa, že sú náležite využit' a pripojené.** Použitím zberača prachu redukuje riziká spojené s prachom.
- ## 4. POUŽITIE A ÚDRŽBA RUČNÉHO NÁRADIA
- Nepreťažujte ručné náradie.** Použite správne ručné náradie na danú činnosť. Správne ručné náradie spraví prácu lepšie a v medziach, na ktoré bolo navrhnuté.
 - Nepoužívajte ručné náradie, pokiaľ sa prepínač neprepína medzi zapnutím a vypnutím.** Akékoľvek ručné náradie, ktoré nie je kontrolovateľne prepínačom, je nebezpečné a musí byť opravené.
 - Odpojte prípojku ručného náradia od zdroja energie a/alebo akumulátora pred**

tým, než začnete robiť akékoľvek úpravy, vymieňať doplnky alebo uskladňovať ručné náradie. Takéto preventívne bezpečnostné opatrenia redukujú riziko náhodného zapnutia ručného náradia.

- d) **Keď ručné náradie nepoužívate, skladujte ho mimo dosahu detí a nedovoľte osobám, ktoré nemajú skúsenosti s prácou s ručným náradím alebo neboli oboznámené s týmito inštrukciami, dotýkať sa náradia.** Ručné náradie je nebezpečné v rukách netrénovanej osoby.
- e) **Údržba ručného náradia. Skontrolujte chybné pripojenia alebo spojenia pohyblivých častí, zlomené časti alebo iné okolnosti, ktoré by mohli ovplyvniť funkčnosť ručného náradia.** Pri poškodení musí byť pred použitím najprv elektrické ručné náradie opravené. Mnoho úrazov vzniká preto, že je elektrické ručné náradie zle udržiavané.
- f) **Udržujte rezacie nástroje ostré a čisté.** Náležitá udržiavané rezacie nástroje s ostrými rezacími hranami sú menej náchylné na „zaseknutie“ a sú ľahšie ovládateľné.
- g) **Používajte elektrické náradie v súlade týmito pokynmi, berte pritom do úvahy pracovné podmienky a druh vykonávanej práce.** Ak sa elektrické náradie použije na iné účely, než na čo je určené, môže dochádzať k nebezpečným situáciám.

5. POUŽÍVANIE A STAROSTLIVOSŤ O BATÉRIOVÉ ELEKTRICKÉ NÁRADIE

- a) **Nabíjajte iba nabíjačkou určenou výrobcom.** Nabíjačka, ktorá je vhodná na jeden typ bloku batérií, môže pri použití s iným typom batérií spôsobiť požiar.
- b) **Elektrické náradie používajte iba s určeným typom bloku batérií.** Použitie akéhokoľvek iného typu batérií môže zvýšiť riziko zranenia a požiaru.
- c) **Ak sa blok batérií nepoužíva, neukladajte ho do blízkosti iných kovových predmetov, ako sú sponky na papier, mince, kľúče, klince, skrutky alebo iné drobné kovové predmety, ktoré by mohli skratovať kontakty.** Skratovanie kontaktov batérie môže viesť k popáleninám alebo vzniku požiaru.
- d) **Pri nesprávnom používaní môže z batérie vystreknuť kvapalina; vyhýbajte sa styku s ňou. Ak dôjde k styku kvapaliny s pokožkou, opláchnite zasiahnuté miesto vodou.** Ak sa kvapalina dostane do očí, ihneď vyhľadajte lekársku pomoc. Kvapalina, ktorá unikla z batérie, môže spôsobiť podráždenie a poleptanie.

6. SERVIS

- a) **Servisné práce na náradí nechajte vykonať kvalifikovanými pracovníkmi s použitím originálnych náhradných dielov.** Výsledkom bude trvalá bezpečnosť pri práci s elektrickým náradím.

BEZPEČNOSTNÉ POKYNY PRE REŤAZOVÉ PÍLY

- Keď píla beží, nepribližujte sa k pilovej reťazi žiadnou časťou tela. Pred spustením píly sa presvedčte, či sa pilová reťaz niečoho nedotýka.** Pri práci s reťazovou pilou môže jediný okamih nepozornosti mať za následok to, že Vám pilová reťaz zachytí odev alebo niektorú časť tela.
- Reťazovú pílu držte vždy pevne pravou rukou za zadnú rukoväť a ľavou rukou za prednú rukoväť.** Držanie reťazovej píly pri práci nesprávnym spôsobom – v opačnej pracovnej polohe – zvyšuje riziko poranenia a nesmie sa používať.
- Elektrické náradie držte len za izolované rukoväte, pretože sa môže stať, že sa pilová reťaz dostane do kontaktu so skrytým elektrickým vedením.** Kontakt pilovej reťaze s elektrickým vedením, ktoré je pod prúdom, môže dostať pod prúd aj kovové súčiastky náradia a spôsobiť zásah elektrickým prúdom.
- Používajte ochranné okuliare a chrániče sluchu. Odporúčame používať aj ďalšie ochranné pomôcky na ochranu hlavy, rúk, nôh a chodidiel.** Vhodné ochranné pracovné oblečenie znižuje nebezpečenstvo poranenia odletujúcimi trieskami a následky náhodného dotyku reťazovej píly.
- Nepracujte s reťazovou pilou na strome.** Pri práci s reťazovou pilou na strome hrozí nebezpečenstvo poranenia.
- Dávajte pozor na to, aby ste mali vždy pevný postoj a reťazovú pílu používajte len vtedy, keď stojíte na spevnom, bezpečnom a rovnom podklade.** Šmykľavý alebo nestabilný podklad môže viesť pri používaní rebríkov k strate kontroly nad rovnováhou a nad reťazovou pilou.
- Pri rezaní konára, ktorý je napnutý, rátajte s tým, že sa odpruží smerom späť.** Keď sa toto napätie uvoľní do vlákien dreva, môže napnutý konár trafiť obsluhujúcu osobu a/alebo jej vytrhnúť reťazovú pílu spod kontroly.
- Mimoriadne opatrne postupujte pri rezaní krovin a mladých stromčekov.** Tento tenký materiál by sa mohol v reťazovej pile zachytiť a udrieť Vás, alebo Vás dostať z rovnovážnej polohy.
- Pri prenášaní držte reťazovú pílu so zastavenou pilovou reťazou za prednú rukoväť a s vodiacou lištou smerujúcou dozadu. Pri prevážaní alebo počas úschovy reťazovej píly vždy navlečte ochranný kryt.** Starostlivé zaobchádzanie s reťazovou pilou znižuje pravdepodobnosť neúmyselného dotyku s bežiacou pilovou reťazou.
- Dodržiavajte pokyny na masenie, napnutie reťaze a výmenu príslušenstva.** Neodborne napnutá alebo namastená reťaz sa môže buď pretrhnúť alebo môže zvýšiť riziko spätného rázu náradia.

- 11. Rukoväte udržiavajte suché a zabezpečte, aby na nich nebol olej ani tuk.** Mastné, zaolejané rukoväte sú šmykľavé a spôsobujú stratu kontroly nad náradím.
- 12. Používajte len na pílenie dreva. Retazovú pílu používajte len na také práce, na ktoré je určená -príklad: Nepoužívajte retazovú pílu na rezanie plastov, muriva ani stavebných materiálov, ktoré nie sú vyrobené z dreva.** Použitie retazovej píly na také práce, na ktoré nie je určená, môže vyvolať vznik nebezpečných situácií.

DÔVODY SPÄTNÝCH ÚDEROV A PREDCHÁDZANIE SPÄTNÝM ÚDEROM:

Spätný úder sa môže vyskytnúť vtedy, keď sa hrot vodiacej lišty dotkne nejakého predmetu, alebo keď sa drevo ohne a retazová píla sa v reze zablokuje. Dotyk hrotom vodiacej lišty môže mať v mnohých prípadoch za následok neočakávanú reakciu smerujúcu dozadu, pri ktorej sa vodica lišty vymršťí smerom hore a smerom k obsluhujúcej osobe.

Zablokovanie pílovej reťaze na hornej hrane vodiacej lišty môžu lištu prudko vymršťiť smerom k obsluhujúcej osobe.

Každá z týchto reakcií môže mať za následok stratu Vašej kontroly nad pílu, následkom čoho by ste sa mohli ťažko zraniť. Nespoliehajte sa výlučne iba na tie bezpečnostné prvky, ktoré sú súčasťou konštrukcie retazovej píly. Ako používateľ retazovej píly by ste mali vykonať rozličné opatrenia, aby ste mohli pracovať bez úrazov a zranení.

Spätný ráz je následkom nesprávneho alebo chybného používania ručného elektrického náradia. Vhodnými preventívnymi opatreniami, ktoré popisujeme v nasledujúcom texte, mu možno zabrániť:

- **Držte retazovú pílu pevne oboma rukami, pričom palce a prsty obopínajú rukoväť retazovej píly. Svoje telo a ruky dajte do takej polohy, v ktorej budete môcť najlepšie odolať silám spätného rázu.** V prípade uskutočnenia vhodných opatrení môže obsluhujúca osoba sily spätného rázu zvládnuť. Retazovú pílu nikdy nepúšťajte z rúk.
- **Vyhýbajte sa abnormálnej polohe tela a nepíľte vo väčšej výške, ako sú Vaše ramená.** Tým sa zabráni neúmyselnému dotyku s hrotom vodiacej lišty a umožní sa lepšia kontrola retazovej píly v neočakávaných situáciách.
- **Používajte výlučne iba výrobcom predpísané náhradné vodiace lišty a pílové reťaze.** Nesprávne náhradné vodiace lišty a pílové reťaze môžu mať za následok roztrhnutie reťaze alebo vyvolať spätný ráz.
- **Dodržiavajte pokyny výrobcu pre brúsenie a údržbu pílovej reťaze.** Príliš nízke obmedzovače hlčky zvyšujú možnosť vzniku spätného rázu.

DODATOČNÉ RIZIKÁ

Aj pri predpísanom použití prístroja vždy existuje dodatočné riziko, ktorému nejde zabrániť. Podľa druhu a konštrukcie spotrebiča sa môžu vyskytnúť nasledujúce možné nebezpečenstvá:

- Kontakt s ošabeným ozubením reťaze píly (riziko pri rezaní)
- Prístup k rotujúcej reťazi píly (riziko pri rezaní)
- Nepredvídateľný, náhly pohyb vodiacej lišty (riziko pri rezaní)
- Vymrštenie drobných častí od reťaze píly (riziko pri rezaní/nebezpečenstvo zasiahnutia)
- Vymrštenie častí obrobku
- Zasiahnutie pokožky olejom
- Strata sluchu, ak nie je počas práce používaná požadovaná ochrana sluchu

BEZPEČNOSTNÉ POKYNY PRE PREREZÁVACIE PÍLY S PREDLŽOVACÍM NADSTAVCOM

1. Pílu nepoužívajte, ak je obsluha unavená, chorá, alebo je pod vplyvom alkoholu či iných drog.
2. Na zníženie možného nebezpečenstva zaistíte, aby boli v priebehu práce všetky osoby v bezpečnej vzdialenosti od miesta, kde sa pracuje.
3. Dávajte pozor na nebezpečné pracovné polohy a tiež na nebezpečenstvo zasiahnutia padajúcimi konármi, alebo odskakujúcimi konármi po ich dopade na zem. Konáre režte po častiach.
4. Počas práce udržiavajte pevný postoj a rovnováhu. Používajte dodané popruhy.
5. Pílu udržiujte v dostatočnej vzdialenosti od nadzemného elektrického vedenia.

BEZPEČNOSTNÉ VAROVANIA TÝKAJÚCE SA BATÉRIÍ

- a) **Nepokúšajte sa demontovať, rozoberať alebo rozrezávať batérie alebo jej články.**
- b) **Batérie neskratujte. Neukladajte batérie náhodne v škatuliach alebo v zásuvkách, kde by mohlo dôjsť k ich vzájomnému skratovaniu alebo k skratovaniu spôsobenému inými predmetmi.** Ak sa batéria nepoužíva, udržiujte ju v bezpečnej vzdialenosti od sponiek na papieri, minci, kľúčov, klínov, skrutiek alebo iných malých kovových predmetov, ktoré môžu spôsobiť preporenie kontaktov batérie. Skratovanie kontaktov batérie môže spôsobiť popálenie alebo požiar.
- c) **Nevystavujte batériu pôsobeniu tepla alebo ohňa. Vyvarujte sa skladovania**

batérii na otvorenom slnku.

- d) Nevystavujte batériu mechanickým rázom.
- e) Ak dôjde k úniku kvapaliny z batérie, zabráňte tomu, aby sa táto kvapalina dostala do kontaktu s pokožkou alebo aby zasiahla oči. Ak dôjde k takému kontaktu, zasiahnuté miesto umyte značným množstvom vody a vyhľadajte lekárske ošetrovanie.
- f) Ak dôjde k požitiu kvapaliny z batérie, udržiavajte okamžite lekárske ošetrovanie.
- g) Udržujte batérie čisté a suché.
- h) Ak sú svorky batérie znečistené, utrite ich čistou a suchou handričkou.
- i) Batéria musí byť pred použitím nabitá. Vždy postupujte podľa uvedených pokynov a používajte správny postup nabíjania.
- j) Nenechávajte batériu nabíjať, ak nebude batéria použitá.
- k) Po dlhodobom uložení budete možno musieť vykonať niekoľko cyklov nabíjania a vybíjania, aby batéria dosiahla svoj maximálny výkon.
- l) Batéria poskytuje najvyšší výkon, ak sa používa pri bežnej izbovej teplote ($20^{\circ}\text{C} \pm 5^{\circ}\text{C}$).
- m) Pri likvidácii batérií oddel'te od seba batérie s odlišnými elektrochemickými systémami.
- n) Vykonať nabíjanie iba v nabíjačke, ktorá je špecifikovaná spoločnosťou WORX. Nepoužívajte inú nabíjačku, než je nabíjačka špeciálne dodaná na použitie s týmto zariadením. Nabíjačka, ktorá je vhodná pre jeden typ batérie, môže pri použití iného typu batérie vytvárať riziko spôsobenia požiaru.
- o) Nepoužívajte žiadnu batériu, ktorá nie je určená na použitie s týmto zariadením.
- p) Ukladajte batérie mimo dosahu detí.
- q) Ušchovajte originálnu dokumentáciu k tomuto výrobku na budúce odkazy.
- r) Ak sa zariadenie nepoužíva, vyberte z neho batériu.
- s) Vykonať riadnu likvidáciu batérie.

TIETO POKYNY USCHOVAJTE

Pokyny týkajúce sa správnej techniky pre bežné stínanie, odstraňovanie konárov a pričné rezy

1. Stínanie stromov

Ak súčasne orezávajú konáre a vyťínajú stromy dve alebo viaceré osoby, mala by byť vzdialenosť medzi jednotlivými stínajúcimi a orezávajúcimi osobami rovná minimálne dvojnásobku výšky vyťínaného stromu. Pri vyťínaní stromov treba dávať pozor na to, aby neboli vystavené nebezpečenstvu žiadne iné osoby, aby padajúci strom nezasiahol žiadne prívodné vedenie a nespôsobil ani žiadne vecné škody. Ak by hrozilo, že padajúci strom môže zasiahnuť elektrické vedenie, treba

o tom ihneď informovať kompetentný energetický podnik. Pri stínaní stromu na svahu by sa mala osoba obsluhujúca reťazovú pílu zdržiavať v teréne nad stínaným stromom, pretože po páde sa strom pravdepodobne skotúľa alebo zošmykne dole svahom. Pred samotným zoťatím stromu si treba naplánovať únikovú cestu a v prípade potreby si takúto cestu uvoľniť. Táto úniková cesta by sa mala rozširovať smerom dozadu diagonálnym smerom od očakávaného smeru pádu stromu, tak ako je znázomené na obrázku 1. Pred zoťatím stromu treba zobrať do úvahy sklon stromu, polohu väčších konárov a smer fúkania vetra, aby sa mohol spoľahlivo odhadnúť budúci smer pádu stromu. Odstráňte zo stromu nečistotu, kamene, uvoľnenú kôru, klince, skoby a drôt.
ails, staples and wire from the tree.

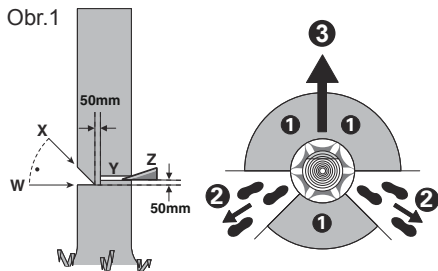
2. Vypílenie záseku

Zárez urobte do 1/3 priemeru kmeňa, kolmo k smeru pádu, tak ako je znázomené na obrázku 1. Najprv urobte dolný vodorovný rez záseku (W). Tým sa zabráni zablokovaniu pílovej reťaze alebo vodiacej lišty pri vykonávaní druhého rezu záseku (X).

3. Vykonalenie hlavného rezu

Hlavný rez z protifaľej strany (Y) urobte minimálne o 50 mm vyššie, ako je vodorovný zárez, tak ako je znázomené na obrázku 1. Hlavný rez urobte rovnobežne s vodorovným rezom záseku. Hlavný rez urobte len do takej hĺbky, aby zostal stáť ešte jeden trnož (podstolina), ktorý by mohol pôsobiť ako otočný pánt. Tento trnož zabráni tomu, aby sa strom pri páde otočil a spadol nevhodným smerom. Neprepíľte tento trnož. Pri približovaní sa hlavného rezu k trnožu by mal strom začať padať. Ak sa ukazuje, že strom možno nespadne do požadovaného smeru alebo sa nakloní späť a zablokuje pílový reťaz, prerušte vykonávanie hlavného rezu a na otvorenie rezu a na presun stromu do požadovanej línie pádu použite klíny z dreva, plastu alebo z hliníka (Z) (3). Keď strom začína padať, vyťahnite reťazovú pílu z rezu, vypnite ju, položte a naplňovanou únikovou cestou nebezpečný priestor opustite (2). Dávajte pozor na padajúce konáre a na to, aby ste sa nepotkli. (pozri obr. 1)

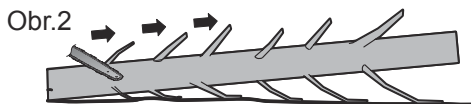
Obr. 1



4. Odstránenie konárov

Pod termínom odstraňovanie konárov rozumieme odrezávanie konárov zoťatého stromu. Pri odstraňovaní konárov nechajte najprv nedotknuté tie väčšie konáre,

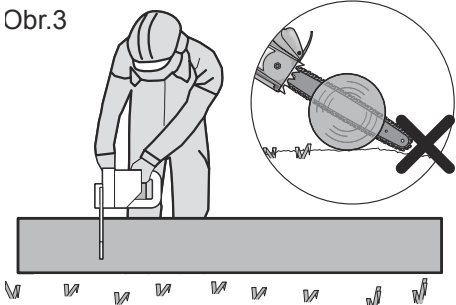
ktoré smerujú dole a podopierajú strom. Malé konáre odstráňte jedným rezom tak, ako je znázornené na obrázku 2. Tie konáre, ktoré sú z nejakého dôvodu pod napätím, treba odrezávať zdola smerom hore, aby ste zabránili zablokovaní reťazovej pily.



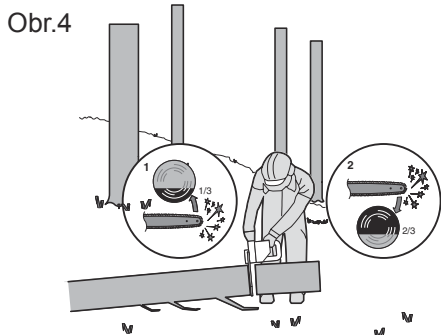
5. Skracovanie kmeňa stromu

Pod týmto pojmom rozumieme delenie zoťatého stromu na časti. Dávajte pozor na pevný postoj a na rovnomerné rozdelenie váhy Vášho tela na obe nohy. Ak je to možné, mal by byť kmeň podložený konármi, hranolmi alebo klinmi a mal by byť podporený. Postupujte podľa jednoduchých pokynov pre jednoduché rezanie.

Ak je kmeň podporený po celej svojej dĺžke tak, ako je znázornené na obrázku 3, vykonajte rez z hornej strany (horná strana tesárskej kozy), zabráňte kontaktu čepele pily so zemou, pretože by sa tým výrazne znížila ostrom reťaze.



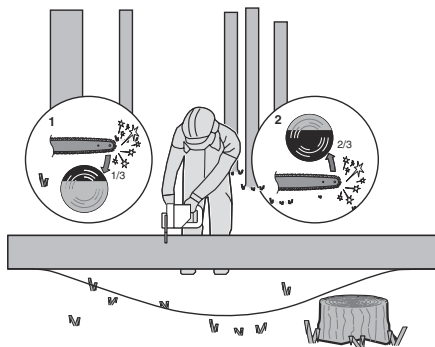
Ak je poleno na jednej strane podporené, tak ako je znázornené na obrázku 4, vykonajte rez do 1/3 priemeru zo spodnej strany (spodná strana tesárskej kozy) (1). Potom rez dokončíte z vrchnej strany (2).



Ak je kmeň podporený na oboch stranách, tak ako je znázornené na obrázku 5, vykonajte rez do 1/3 priemeru z hornej strany (horná strana tesárskej kozy) (1). Potom

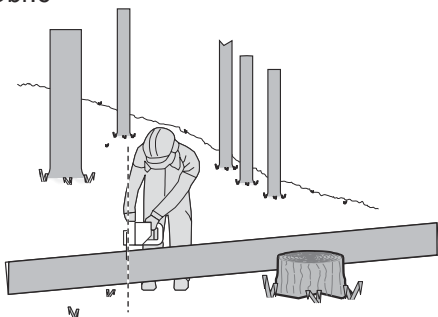
rez dokončíte zo spodnej strany, 2/3 priemeru tak, aby sa rezy stretli (2).

Obr.5



Pri rezaní vo svahu vždy stojte z hornej strany kmeňa, tak ako je znázornené na obrázku 6. Aby ste si zachovali úplnú kontrolu v okamihu „preplnenia“ ku koncu rezu redukuje prítlak, ale bez toho, aby ste uvoľnili pevné držanie reťazovej pily za obe rukoväte. Dávajte pozor na to, aby sa reťazová píla nedotkla zeme. Po ukončení rezania počkajte na úplné zastavenie pílovej reťaze, až potom reťazovú pílu z miesta rezu odložte. Motor reťazovej pily vždy vypínajte ešte predtým, ako prechádzate od jedného stromu k druhému.

Obr.6















SYMBOLY








Kvôli zníženiu rizika poranenia je potrebné, aby si používateľ najprv prečítal návod



VÝSTRAHA

	Používajte ochranu sluchu
	Používajte ochranu očí
	Používajte protiprachovú masku
	Nevystavujte dažďu
	Používajte ochrannú prilbu.
	Používajte ochranné rukavice.
	Používajte ochrannú obuv
	Varovanie pred nebezpečenstvom z nadzemného elektrického vedenia.
	Elektrické výrobky sa nesmú likvidovať spolu s domácim odpadom. Recyklujte v zberných miestach na tento účel zriadených. O možnosti recyklácie sa informujte na miestnych úradoch alebo u predajcu.
 Li-Ion 	Batérie nezhadzujte. Vyčerpané batérie odneste do miestneho zberného (recyklačného) miesta špeciálneho odpadu.
	Nespaľujte ich

	Nevystavujte dažďu alebo vode
	Vyvarujte sa kontaktu špičky reťazovej lišty s akýmkoľvek predmetom
	Kontakt špičky reťazovej lišty s obrobkom môže spôsobiť náhly odskok lišty nahor a späť, čo môže viesť k vážnemu úrazu obsluhy.
	Pri rezaní držte pílu vždy obojdvomi rukami.
	
	xINR18/65-y: Valcové batérie Li-Ion s maximálnym priemerom 18 mm a maximálnou výškou 65 mm; „x“ predstavuje počet článkov so sériovým zapojením, ak je iba 1, použije sa medzera; „y“ predstavuje počet článkov s paralelným zapojením, ak je iba 1, použije sa medzera.


ZOZNAM SÚČASTÍ

1. ZADNÁ RUKOVÄŤ
2. VYPÍNAČ ON/OFF
3. UZÁVER PLNIAČEHO OTVORU OLEJA
4. PREDNÁ RUKOVÄŤ
5. OCHRANNÝ KRYT RUKY
6. LIŠŤA S PÍLOVOU REŤAZOU
7. REŤAZ
8. OTOČNÝ GOMBÍK NA NASTAVOVANIE NAPNUTIA REŤAZE
9. KRYT
10. BATÉRIOVÝ *
11. UVOLŇOVACÍ TLAČÍTKO BATERIE *
12. KRYT ZADNEJ RUKOVÄTE
13. HROTOVÝ DORAZ
14. UKAZOVATEĽ HLADINY OLEJA
15. ODISŤOVACIE TLAČIDLO
16. HNACIE REŤAZOVÉ KOLESO
17. ZNAČKA UKAZUJÚCA SMER OTÁČANIA A PÍLENIA
18. OTVOR NA VYPÚŠŤANIE OLEJA
19. UPÍNACIA SVORKA LIŠTY
20. OTVOR NA UPEVNENIE LIŠTY
21. VODIACE REBRÁ LIŠTY S PÍLOVOU REŤAZOU
22. KRYT LIŠTY A REŤAZE NA ULOŽENIE/PREPRUVU* (PÚZDRO)
23. NAPÍNACIA ZÁPADKA REŤAZE (POZRI OBR. A)
24. RUKOVÄŤ PREDLŽOVACIEHO NADSTAVCA*
25. ZAISŤOVACIA RUKOVÄŤ*
26. UPÍNACIA PÁKA*
27. VNÚTORNÝ NADSTAVEC*
28. ZAISŤOVACIA RUKOVÄŤ*
29. SPÁJACIA KONZOLA VONKAJŠIEHO NADSTAVCA*
30. POISTNÉ TLAČIDLO RUKOVÄTE PREDLŽOVACIEHO NADSTAVCA*
31. SPÍNAČ ZAP./VYP. RUKOVÄTE PREDLŽOVACIEHO NADSTAVCA*
32. POPRUH NA RAMENO*

* Štandardná dodávka neobsahuje všetko zobrazené či opísané príslušenstvo.

TECHNICKÉ PARAMETRE

Typ **WG322E WG322E.9 WG323E WG323E.9** (3 - Označenie strojového zariadenia, zástupcu reťazovej píly a tyčovej píly)

	WG322E	WG322E.9	WG323E	WG323E.9
Napätie	20V  Max**			
Dĺžka tyče	25cm			
Rýchlosť reťaze	3.8m/s			
Objem olejovej nádrže	130ml			
Odstup zubov reťaze	3/8"			
Počet článkov reťaze	40			
Kaliber reťaze	0.043"			
Adaptívny typ reťaze	ES: 3/8.043-40E/ QIRUI : A0(T)-40E/ OREGON: 90PX040G			
Adaptívny typ lišty	ES: ES104SDEA041/ QIRUI : PO10-43SR(T) / OREGON: 104MLEA041			
Bežný čas nabíjania	5hrs			
Hmotnosť (započítaná je reťaz a tyč)	2.8kg	2.4kg	4.6kg	4.2kg

**Napätie merané bez prevádzkového zaťaženia. Počiatočné nabitie batérie dosahuje maximálne 20 Voltov. Nominálne napätie je 18 Voltov.

PRÍSLUŠENSTVO

175

	WG322E	WG322E.9	WG323E	WG323E.9
Reťaz	1	1	1	1
Lišta	1	1	1	1
Kryt na prepravu	1	1	1	1
Predlžovací nadstavec (WA0166)	/	/	1	1
Nabijačka (WA3760)	1	/	1	/
Bateriový (WA3551)	1	/	1	/
Popruh na rameno	/	/	1	1

Odporúčame príslušenstvo kúpiť v rovnakom obchode ako samotné náradie. Podrobnejšie informácie sú pribalené k jednotlivému príslušenstvu. Odborní predavači vám pomôžu a poradia.

Akumulátorová reťazová píla SK

INFORMÁCIE O HLUKU

	WG322E WG322E.9	WG323E WG323E.9
Nameraný akustický tlak	$L_{pA} = 87.9 \text{ dB(A)}$	$L_{pA} = 85.7 \text{ dB(A)}$
Nameraný akustický výkon	$L_{wA} = 96 \text{ dB(A)}$	$L_{wA} = 96 \text{ dB(A)}$
$K_{pA} = 3.0 \text{ dB(A)}$		

Používajte ochranu sluchu.



INFORMÁCIE O VIBRÁCIÁCH

Výsledné celkové hodnoty pre vibrácie (suma pre trojosový vektor) stanovené podľa normy EN 60745:

Hodnota emisie vibrácií $a_v < 2.5 \text{ m/s}^2$	Nepresnosť $K = 1.5 \text{ m/s}^2$
--	------------------------------------

Deklarovaná celková hodnota vibrácií sa môže použiť na vzájomné porovnanie jednotlivých náradí a takisto aj na predbežné stanovenie času práce.

! VÝSTRAHA: Hodnota emisie vibrácií počas skutočného používania elektrického náradia sa môže odlišovať od deklarovanej hodnoty, a to v závislosti od spôsobu používania náradia a v závislosti od nasledujúcich príkladov odchýlok od spôsobu používania náradia:

Akým spôsobom sa náradie používa a aké materiály budú rezané alebo vtierané.

Náradie je v dobrom stave a je dobre udržiavané.

Používanie správneho príslušenstva v spojení s náradím a zabezpečenie jeho ostroti a dobrého stavu.

Tesnosť zovretia rukovätí a používanie doplnkov proti vibráciám.

Používanie náradia na účel určený podľa konštrukcie a v súlade s pokynmi.

Toto náradie môže vyvolať syndróm trasenia rúk a ramien, pokiaľ jeho používanie nie je správnym spôsobom riadené.

! VÝSTRAHA: Kvôli presnosti by mal odhad úrovne expozície v skutočných podmienkach používania obsahovať tiež všetky súčasti prevádzkového cyklu, ako sú časy, keď je náradie vypnuté a počas ktorých beží na voľnobehu, a to okrem skutočného vykonávania práce. Tým môže dôjsť k značnému zníženiu úrovne expozície počas celkového prevádzkového času.

Pomôžte minimalizovať riziko expozície účinkom vibrácií. **VŽDY** používajte ostré sekáče a čepele.

Náradie udržiavajte v súlade s týmto návodom a

udržiavajte ho dobre namazané (ak je to potrebné). Ak sa náradie používa často, investujte do príslušenstva zabraňujúceho vibráciám.

Prácu si naplánujte tak, aby ste akékoľvek používanie náradia pri vysokých vibráciách rozdelili do niekoľkých dní.

POUŽÍVANIE PODĽA URČENIA

Výrobok je určený na stínanie stromov ako aj na rezanie kmeňov, konárov, drevených nosníkov, hranolov a dosák a pod. a dá sa používať na rezanie v pozdĺžnom a priečnom smere vlákien dreva. Toto náradie nie je vhodné na rezanie minerálnych materiálov.

MONTÁŽ

! VÝSTRAHA! Neinštalujte akumulátor pred kompletným zostavením. Pri manipulácii s pilovou reťazou majte vždy natiiahnuté pracovné rukavice.

MONTÁŽ ČEPELE A PÍLOVEJ REŤAZE

1. Všetky súčasti starostlivo rozbaľte.
2. Reťazovú pilu položte na pevnú a rovnú plochu.
3. Používajte iba originálne reťaze WORX, alebo reťaze odporúčené pre vodiace lišty.
4. Pilový reťaz (7) založte do obežnej drážky čepele (6). Porovnaním s vyznačenou ikonou reťaze na vodiacej lište, alebo podľa symbolu smeru chodu reťaze (17) vyznačeného na tele píly sa uistite, či je reťaz natiiahnutá v správnom smere otáčania. Zabezpečte, aby vačka napínania reťaze (23) ukazovala smerom von. (pozri obr. A)
5. Články reťaze založte okolo reťazového kolesa (16) tak, aby vodiace výstupky čepele (20) nachádzajúce sa pred upevňovacou skrútkou (21) a za ňou zasahovali do pozdĺžneho otvoru čepele (6). (pozri obr. B1, B2)
6. Skontrolujte, či sú diely správne namontované. Skontrolujte, či sú hnacie články reťaze riadne usadené na hnacom ozubenom kolese (pozri obr. C1), zabráňte stuhnutiu článkov reťaze, ktorý je zobrazený na obr. C2. Ak dôjde k stuhnutiu článkov reťaze, zdvihnite reťaz na vodiacej lište a uvoľnite články reťaze.

POZNÁMKA: Reťaz sa musí otáčať voľne a nesmú na nej byť žiadne stuhnuté články.

7. Nasadte kryt reťaze (9) a utiahnite kryt reťaze otáčaním napínania reťaze (8) v smere pohybu hodinových ručičiek tak, aby bola reťaz napnutá. (pozri obr. D)

! VÝSTRAHA: Reťaz ešte nie je napnutá. Reťaz napínajte podľa postupu uvedeného v časti „Napínanie reťaze“. Teraz je potrebné previesť kontrolu reťaze, či je správne napnutá.

NAPÍNANIE PÍLOVEJ REŤAZE (pozri obr. E1, E2)

POZNÁMKA: Nové pilové reťaze sa môžu rozťahovať. Pri prvom použití vykonávajte často kontrolu napnutia reťaze a ak dôjde k uvoľneniu reťaze (7) na vodiacej lište (6), preveďte jej napnutie.



VÝSTRAHA:

- Pred napínaním reťaze vždy najskôr vyberte z pily batériu.
- Rezné hroty na reťazi sú ostré. Pri manipulácii s reťazou používajte ochranné rukavice.
- Vždy udržiavajte správne napnutie reťaze. Voľná reťaz zvyšuje riziko spätného nárazu. Voľná reťaz sa môže vyšmyknúť z drážky na vodiacej lište. To môže spôsobiť poranenie obsluhu a poškodenie reťaze. Voľná reťaz môže spôsobiť rýchle opotrebenie samotnej reťaze, lišty na pilový reťaz a ozubeného koleasa.

1. Reťazový pilu postavte na rovnú plochu.
2. Zaisťovací otočný bombík/napínací otočný gombík reťaze (8) otáčajte doprava, kým nebude otočný gombík pevne zaskrutkovaný.

POZNÁMKA: Otáčaním gombíka na napínanie reťaze (8) v smere chodu hodinových ručičiek bude napnutie reťaze automaticky zvýšené. Mechanizmus rohátky zabráňuje, aby sa uvoľnilo napnutie reťaze.

3. Nakloňte pilu smerom dopredu tak (pozri obr. E1), aby špička vodiacej lišty (6) smerovala nahor. Tým odstránite previs reťaze.
4. Gombík na napínanie reťaze (8) otáčaním v smere chodu hodinových ručičiek úplne utiahnite.
5. Ešte raz skontrolujte napnutie nastavenej pomocnej rukoväte s automatickým napínaním reťaze. Správne napnutie reťaze dosiahnete, ak sa dá reťaz (7) v strednej časti nadzdvihnúť z vodiacej lišty (6) približne do polovice hĺbky vodiaceho článku reťaze. Tento úkon by mal byť prevedený jednou rukou zdvihnutím reťaze zataženej iba vlastnou hmotnosťou pily. (pozri obr. E2)

POZNÁMKA: Reťaz (7) je napnutá správne, ak ju môžete zdvihnúť z vodiacej lišty (6), a vodiaci článok reťaze zostane pritom vo vnútri kolajnice vodiacej lišty (6).

POZNÁMKA: Reťaz (7) sa v priebehu rezania nafahuje a stráca správne napnutie. Ak sa reťaz uvoľní, úplne odkrutkujte gombík na napínanie reťaze (8), alebo ním otočte o tri celé otáčky proti smeru chodu hodinových ručičiek a potom reťaz opäť správne napnite utiahnutím gombíka na napínanie reťaze (8) postupom podľa vyššie uvedených krokov 1- 4.

MONTÁŽ PREDLŽOVACIEHO NADSTAVCA (pouze pro WG323E, WG323E.9)

Rukoväť zarovnajete a zastrčíte do predlžovacieho dielu a ten do hriadeľa. Zaisťovacou rukoväťou otáčajte v smere hodinových ručičiek. (pozri obr. F1, F2)

POZNÁMKA: Skontrolujte, či je hriadeľ na svojom mieste pevne zaistený.

MONTÁŽ PREDLŽOVACIEHO NADSTAVCA K STROJU (pozri obr. G1)

Krok 1: Spájaciu konzolu vonkajšieho nadstavca (29) zarovnajete a zastrčíte do pily.

Krok 2: Zaisťovaciu rukoväť (28) otočte proti smeru chodu hodinových ručičiek tak, aby sa predlžovací nadstavec dotiahol ku stroju.

POZNÁMKA: Pred zapnutím stroja

skontrolujte, či je predlžovací nadstavec vo svojej polohe riadne zaistený.

DEMONTÁŽ PREDLŽOVACIEHO NADSTAVCA (pozri obr. G2)

Krok 1: Zaisťovaciu rukoväť (28) otočte v smere chodu hodinových ručičiek tak, aby sa uvoľnila a vyťahnite ju von.

Krok 2: Pilu posuvom odpojte od predlžovacieho nadstavca.



VÝSTRAHA!

• Ak pilu používate s predlžovacím nadstavcom, skontrolujte, či je vyťahnutá batéria.

Nastavenie dĺžky predlžovacieho nadstavca

Tyčová prerezávací pila obsahuje teleskopický predlžovací nadstavec, ktorý je možné upraviť po dĺžke 2 m (úplne zastrčiť) až na 2,7 m (úplne vyťahnúť). Upínacia páka (26) slúži na udržanie nastavenej ľubovoľnej dĺžky predlžovacieho nadstavca v danej polohe.

1. Ak chcete nadstavec predĺžiť, uvoľníte upínaciu páku tak, ako je znázornené na obrázku H. Nadstavec môžete voľne posúvať.
2. Vyťahnite vnútornú časť predlžovacieho nadstavca na požadovanú dĺžku predĺženia. Poznámka: Použite iba minimálnu dĺžku nadstavca potrebnú na dosiahnutie konca rezaného konára.
3. Zaisťenie predlžovacieho nadstavca do požadovanej dĺžky prevediete utiahnutím upínacej páky tak, ako je znázornené na obrázku H.

177

MASTENIE REŤAZE



DÔLEŽITÉ UPOZORNENIE: Reťazová pila sa nedodáva s náplňou oleja pre reťazové pily. Pred použitím je dôležité naplniť ju olejom. Používanie reťazovej pily bez oleja na reťazové pily alebo so stavom oleja pod značkou minima oleja má za následok poškodenie reťazovej pily. **POZNÁMKA:** Životnosť reťaze a jej rezný výkon závisia od optimálneho mastenia reťaze. Z tohto dôvodu sa počas používania reťazovej pily automaticky mastí olejom na reťazové pily.

PLNENIE OLEJOVEJ NÁDRŽKY:



VÝSTRAHA: Pred naplnením olejovej nádrže vyťahnite akumulátor.

1. Reťazová pilu postavte na vhodnú podložku tak, aby sa uzáver olejovej nádržky (3) nachádzal hore.
2. Pomocou handričky vyčistíte okolie uzáveru olejovej nádržky a uzáver odkrutkujete.
3. Do nádržky nalejte olej pre motorové reťazové pily.
4. Zabráňte tomu, aby sa do nádržky dostali nečistoty a prach. Nasadte na nádržku uzáver (3) a rukou ho riadne utiahnite v smere pohybu hodinových ručičiek.



DÔLEŽITÉ UPOZORNENIE: Aby sa zabezpečila výmena vzduchu medzi

Akumulátorová reťazová pila SK

nádržkou na olej a okolím, sú medzi sítikom a uzáverom nádržky na olej vytvorené štyri malé vyrovnávacie kanáliky, cez ktoré môže so zreteľom na fungovanie v malej miere vytekať olej. Dávajte láskavo pozor na to, aby ste pilu odstavili vždy do vodorovnej polohy (uzáver nádržky na olej (3) smeruje hore).

Odporúčame výlučne používanie biologicky odbúrateľného oleja, aby sa zabránilo poškodeniu reťaze pily (Grade: ISO VG32). Tento olej môžete dostať na mieste, kde ste zakúpili pilu alebo v miestnom obchode s týmito výrobkami. Nikdy nepoužívajte recyklovaný olej ani odpadový olej. Pri použití neschváleného oleja prepadá záruka produktu.

Neprehliňte. V prípade poškodenia vyhľadajte lekársku pomoc. Uchovávajte mimo dosahu detí. Skladujte mimo dosahu tepla alebo otvoreného ohňa.

KONTROLA AUTOMATICKEJ MAZNICE

Správne fungovanie automatickej maznice je možné skontrolovať spustením reťazovej pily a nasmerovaním špičky vodiacej lišty (6) smerom ku kúsku kartónu alebo papieri umiestneného na zemi. Ak na sa na kartóne olejová škrvna zväčšuje, maznica pracuje správne. Ak sa na kartóne olejová škrvna neobjaví, a to aj napriek tomu, že je olejová nádržka plná, obráťte sa na zákaznícky servis WORX alebo na autorizovaného servisného zástupcu WORX.

UPOZORNENIE: Nedotýkajte sa reťazou zeme. Dodržiavajte bezpečnú vzdialenosť 30 cm.



PREVÁDZKA

1. PRED POUŽITÍM VÁŠHO AKUMULÁTOROVÉHO NÁRADIA



VÝSTRAHA! Nabíjačka a batéria boli navrhnuté tak, aby mohli byť používané spoločne, a preto sa nepokúšajte používať žiadne iné zariadenia.

Nikdy nevkladajte ani nedovoľte vniknutiu kovových predmetov medzi spojenia nabíjačky alebo batérie, pretože môže dôjsť k vzniku elektrickej poruchy alebo nebezpečenstva.

POZNÁMKA: Batéria NIE JE NABITÁ a pred použitím je potrebné ju úplne nabiť.

Nabíjačka sa dodáva s jednotkou lítiových batérií osadených v náradí. Nepoužívajte iný typ nabíjačky.

2. Nabítenie batérií

Iónovo-lítiová batéria je chránená proti úplnému vybitiu. Keď sa batéria vybije, ochranný obvod vypne náradie. Držiak nástroja sa prestane otáčať.

V teplom prostredí alebo po intenzívnom nasadení sa jednotka batérií natoľko zahreje, že sa nedá ihneď nabíjať. Pred začatím nabíjania nechajte batériu vychladnúť.

3. VYBRATIE, NASADENIE JEDNOTKY BATÉRIE (pozri obr. I1, I2, I3)

Stlačte uvoľňovacie tlačidlo akumulátorového bloku a dajte dolu akumulátor z náradia. Po nabití zastrčte akumulátor do určeného vybrania na jeho pripojenie. Stačí jednoducho stlačiť a mierne priláčiť tak, aby ste počuli cvaknutie. Pohľadom skontrolujte, či je akumulátor úplne zastrčený.

POZNÁMKA: Pri vyberaní batériu vždy pevne držte, aby ste zabránili jej pádu a možnému zraneniu.

4. Vypínanie a zapínanie (pozri obr. J)



POZOR: Pred použitím akumulátorového náradia skontrolujte typ akumulátora.

Používajte iba typ akumulátora uvedený v časti, ktorá sa týka príslušenstva.

Pilu zapnite tak, že stlačíte odist'ovacie tlačidlo (15) a potom úplne stlačte a podržte vypínač ON/OFF (Zapnúť/Vypnúť) (2). Teraz sa môže uvoľniť odist'ovacie tlačidlo. Pilu vypnite tak, že uvoľníte vypínač ON/OFF (Zapnúť/Vypnúť).

5. PÍLENIE



DÔLEŽITÉ UPOZORNENIE: je v nádržke olej? Pred začatím pílenia a potom pravidelne počas práce kontrolujte ukazovateľ hladiny oleja (14). (pozri obr. K1) Olej doplňte, keď je nízka hladina oleja.

Dolievanie oleja do nádržky trvá približne 12 minút v závislosti od intenzity pílenia a počtu zastavení.

Počas pílenia pravidelne každých 10 minút kontrolujte napnutie reťaze.

- 1) Do reťazovej pily vložte akumulátor.
- 2) Skontrolujte, či rezaná časť kmeňa neleží na zemi. Tým zabránite kontaktu reťaze (7) so zemou a vedenie rezu naprieč kmeň. Kontakt reťaze so zemou, ak je v chode, je nebezpečný a spôsobuje jeho otupenie.
- 3) Na bezpečné uchopenie pily vždy používajte obe ruky. Vždy používajte ľavú ruku na uchopenie prednej rukoväti (4) a pravú ruku na uchopenie zadnej rukoväti (1). Pílu držte pevne. Palec a prsty musia byť ovinuté okolo rukoväte pily. (pozri obr. K2)
- 4) Skontrolujte, či máte pevný postoj. Chodidlá majte rozkročené na šírku ramien. Rozložte svoju váhu rovnomerne na obe nohy.
- 5) Až budete pripravený na prevedenie rezu, pravým palcom úplne stlačte zaisťovacie tlačidlo (15) a stlačte spúšť pily. Týmto spôsobom pilu spustíte. Pílu vypnete uvoľnením stlačenia spúšte. Skôr než začnete rezať, skontrolujte, či píla beží na plné otáčky.
- 6) Na začiatku rezania položte pomaly otáčajúcu sa reťaz na rezané drevo. Rezané drevo by malo byť, pokiaľ to bude možné, čo najbližšie k telu pily. Držte pílu pevne na mieste, aby sa zabránilo možnému odskakovaniu alebo kĺzaniu (bočný posun) pily.
- 7) Pílu vedte s miernym prítlakom a nevyvíjajte na ňu nadmernú silu, nechajte pílu rezať vlastným tempom. Motor by sa preťažil a mohlo by dôjsť k jeho spáleniu. Nastavením správnych otáčok bude práca prevedená lepšie a bezpečnejšie.
- 8) Pílu vyťahujte zo zárezu pri plných otáčkach. Pílu

zastavíte uvoľnením spínača On/Off (zap./vyp.) (2). Pred položením píly na zem skontrolujte, či sa reťaz úplne zastavila.

- 9) Vyskúšajte si rezanie na kuse odpadových konárov na bezpečnom pracovnom mieste, kým nedosiahnete pohodlie pri práci, plynulý pohyb a stabilnú reznú rýchlosť, plynulým pohybom a so stabilnou rýchlosťou prevádzkou rezu.

Bezpečnostné zariadenie zabraňuje spätnému rázu píly.

Táto píla je vybavená reťazou s nízkym spätným rázom a tiež vodiacou lištou s redukciou spätného rázu. Obe tieto súčasti redukujú možný spätný ráz. K spätnému rázu však u tejto píly môže dôjsť.

Nasledujúce kroky pomôžu znížiť riziko vzniku spätného nárazu.

- Keď je píla v chode, držte ju oboma rukami. Pílu pevne uchopíte. Palec a prsty musia spočívať na rukoväti.
- Na píle musia byť všetky bezpečnostné prvky na svojich miestach. Uistite sa, že správne fungujú.
- Nepreťažujte sa, ani nerezte nad výškou ramien.
- Vždy udržiajte pevný postoj a rovnováhu.
- Udržiajte postoj mierne po ľavej strane píly. Tak vaše telo nebude v priamej línii s rezom píly.
- Keď je reťaz v pohybe, predná časť vodiacej lišty sa nesmie ničoho dotýkať.
- Nikdy sa nepokúšajte rezať dva kmene zároveň. Vždy reže iba jeden kmeň.
- Prednú časť vodiacej lišty nezabárajte ani nerobte boký rez (zabáranie do dreva prednou časťou vodiacej lišty).
- Dávajte pozor na posúvanie dreva a ďalšie sily, ktoré môžu reťaz zovrieť.
- Pri opätovnom vkladaní píly do predchádzajúceho rezu buďte mimoriadne opatrní.
- Používajte iba reťaz v vodiacu lištu (6) s nízkym spätným rázom dodanú s touto reťazovou pílou.
- Pílu nepoužívajte, keď je reťaz tupá alebo uvoľnená. Reťaz udržiajte ostrú a správne napnutú.

Ako pracovať s pílou bezpečne

1. Pílu používajte iba vtedy, keď máte pevný postoj.
2. Pílu držte na pravej strane vášho tela (pozri obr. L).
3. Pred kontaktom s drevom musí reťaz (7) dosiahnuť plné otáčky.
4. Pred zahájením rezu použite kovový hrotový doraz (13) na zaistenie polohy píly v drevenom materiáli.
5. Pri rezaní používajte hrotový doraz ako pákový bod. (pozri obr. M)
6. Nepoužívajte reťazovú pílu s úplne roztrhanými rukami, nesnažte sa rezať ťažko dosiahnuteľné miesta alebo pri rezaní stáť na rebriku (pozri obr. N).

Nikdy nepoužívajte túto pílu vo výške, ktorá presahuje vaše ramená.

PÍLENIE NAPŇUTÉHO DREVA (POZRI OBR. O)

VÝSTRAHA: V takomto prípade platí zásada maximálnej opatrnosti. Dávajte pozor na spätné odpruženie dreva. Keď

je tlak dreva uvoľnený, konár sa môže vymrštiť naspäť a uderiť tak obsluhu píly a spôsobiť vážne zranenie alebo aj smrť.

Ak sa nachádza drevo na oboch stranách, odrežte z kmeňa najprv zhora (Y) jednu tretinu priemeru (horná

strana tesárskej kozy) a potom na tom istom mieste prerežte kmeň zdola (Z), aby ste sa vyhlí rozštiepeniu a zablokovaniu píly. Vyhubajte sa pritom kontaktu píly so zemou. Ak sa nachádza drevo len na jednej strane, odrežte z kmeňa najprv zhora (Y) (spodná strana tesárskej kozy) jednu tretinu priemeru smerom hore a potom na tom istom mieste prerežte kmeň zhora (Z), aby ste sa vyhlí rozštiepeniu a zablokovaniu píly.

OBSLUHA TYČOVEJ PREREZÁVAČEJ PÍLY (POUZE PRO WG323E, WG323E.9)

Rezanie s popruhom na rameno (pozri obr. P1)

Predlžovací nadstavec je dodávaný vrátane popruhu na rameno, ktorý poskytuje dodatočnú oporu pri zdvíhaní čelustí píly do vzduchu. Popruh na rameno zaveste za predlžovací nadstavec a omotajte okolo vášho ramena. Popruh na rameno môže tiež zmierniť ráz, ktorý vznikne odskočením prerezávacej píly. Reťazová píla po dokončení rezu.

Rezanie s predlžovacím nadstavcom

1. Do reťazovej píly vložte akumulátor.
2. Pred rezaním konárov vo vysokých výškach myslite na všetky pokyny popísané v predchádzajúcej časti "Odstránenie konárov", zvláštnu pozornosť ale venujte predpokladanej dráhe padajúceho konára.

! VÝSTRAHA: Nestojte priamo pod rezaným konárom. Osoby nachádzajúce sa v blízkosti držte v dostatočnej vzdialenosti. Pri práci s pílou nestojte na rebriku či inej nestabilnej podpore. S pílou nepracujte v blízkosti káblov, elektrických alebo telefónneho vedenia. Od akéhokoľvek elektrického vedenia udržiajte odstup 3 m. (pozri obr. P2-P5)

3. Na bezpečné uchopenie píly vždy používajte obe ruky. Pri práci s tyčovou prerezávacou pílou používajte iba určené oblasti úchopu rukoväte (pozri obr. P6). Pílu držte pevne. Palec a prsty musia byť ovínuté okolo rukoväte píly.
4. Skontrolujte, či máte pevný postoj. Chodidlá majte rozkročené na šírku ramien. Rozložte svoju váhu rovnomerne na obe nohy.
5. Až budete pripravený na prevedenie rezu, pravým palcom úplne stlačte zaisťovacie tlačidlo (30), potom úplne stlačte spínač Zap./Vyp. (31) (pozri obr. P7). Týmto spôsobom pílu spustíte. Pílu vypnete uvoľnením stlačenia spúšte. Skôr než začnete rezať, skontrolujte, či píla beží na plné otáčky.
6. Na začiatku rezania položte pomaly otáčajúcu sa reťaz na rezané drevo. Držte pílu pevne na mieste, aby sa zabránilo možnému odkakovaniu alebo klzaniu (bočný posun) píly.
7. Pílu vedte s miernym prítlakom a nevyvíjajte na ňu nadmernú silu. Motor by sa preťažil a mohlo by dôjsť k jeho spáleniu. Nastavením správnych otáčok bude práca prevedená lepšie a bezpečnejšie.
8. Pílu vyťahujte zo zárezu pri prílných otáčkach. Pílu zastavíte uvoľnením spínača On/Off (zap./vyp.). Pred položením píly na zem skontrolujte, či sa reťaz úplne zastavila.

OREZÁVANIE STROMOV (ODVETVOVANIE)

! VÝSTRAHA: Vyhňte sa spätnému rázu. Spätný ráz môže spôsobiť vážne

zranenie alebo smrť.

Ako môžete zabrániť riziku spätného rázu nájdete v kapitole Spätný ráz.

VAROVANIE: Nepoužívajte tyčovú prerezávaciu pílu, keď stojíte:

- na strome
- na rebriku alebo na inom nestabilnom povrchu

• v akejkoľvek nepohodnej polohe

Môže dôjsť k strate kontroly nad tyčovou prerezávacou pilou a tým k vzniku vážneho zranenia.



VAROVANIE: S tyčovou prerezávacou pilou nepracujte, ak máte ruky v polohe nad ramenami.

UPOZORNENIE: Ak okolité podmienky presahujú vaše schopnosti, vyhľadajte odbornú pomoc.

Rezanie stromov je proces odrezávania konárov zo živého stromu. Skontrolujte, či máte pevný postoj. Chodidlá majte rozkročené na šírku ramien. Rozložte svoju váhu rovnomerne na obe nohy. Pri rezaní stromov postupujte podľa nižšie uvedených pokynov.

1. Najskôr prevedte prvý rez 15 cm od kmeňa stromu zo spodnej strany konára. Na tento rez použite hornú časť vodiacej lišty. Odrežte 1/3 priemeru konára (pozri obr. P8).
2. Rez posuňte ďalej po konári o 5 až 10 cm. Vykonajte druhý rez z hornej strany konára. Pokračujte v reze, kým celý konár neodrežete.
3. Tretí rez vykonajte čo najbližšie ku kmeňu stromu zo spodnej strany konára. Na tento rez použite hornú časť vodiacej lišty. Odrežte 1/3 priemeru konára.
4. Vykonajte štvrtý rez priamo nad tretím rezom. Dokončíte vedenie tretieho rezu. Tým sa úplne odstráni konár.

ÚDRŽBA PÍLY

Dodržujte pokyny na údržbu uvedených v tomto návode. Správne čistenie a údržba reťaze pily a vodiacej lišty, a tiež celej pily, môžu znížiť šance na vznik spätného rázu. Týmto spôsobom predĺžite prevádzkovú životnosť vašej pily.

POZNÁMKA: Dokonca aj pri použití pily so správne nabrúsenou reťazou sa môže po každom nabrúsení zvýšiť riziko spätného rázu.

ÚDRŽBA A SKLADOVANIE REŤAZOVEJ PÍLY

1. V nasledujúcich prípadoch vyberte z pily batériu:

- Ak sa píla nepoužíva.
- Pred presunom z jedného miesta na druhé
- Pred vykonávaním údržby.

- Pred výmenou príslušenstva alebo doplnkov, ako sú reťaz pily a vodiaca lišta.

2. Pred každým a po každom použití skontrolujte na pile. Pílu dôkladne skontrolujte, či nedošlo k poškodeniu ochranného krytu alebo iného dielu.

Skontrolujte, či nedošlo k akémukoľvek poškodeniu, ktoré by mohlo ovplyvniť bezpečnosť obsluhy alebo prevádzku pily. Skontrolujte, či nedošlo k vychýleniu alebo rozpojeniu pohyblivých častí pily. Skontrolujte, či nedošlo k zlomeniu alebo poškodeniu niektorých dielov. Reťazovú pílu nepoužívajte, ak má poškodenie vplyv na bezpečnosť alebo prevádzku. Poškodenie nechajte opraviť v autorizovanom servisnom stredisku. Miesta autorizovaných servisných stredísk nájdete na internetovej stránke www.worx.com

3. Vykonaťe dôkladnú údržbu reťazovej pily.

- Nikdy pílu nevystavujte na daždi.
- Dbajte na to, aby bola reťaz pily stále ostrá, čistá a namazaná, čím bude zaručená lepšia a bezpečnejšia prevádzka.
- Pri brúsení reťaze pily dodržujte kroky popísané v tomto návode.
- Rukoväte udržiavajte suché, čisté, neznečistené olejom či mazivami.
- Dbajte na to, aby boli všetky skrutky a matice riadne utiahnuté.

4. Pri vykonávaní servisu vždy používajte iba originálne náhradné diely.

5. Ak pílu nepoužívate, vždy ju uskladňujte.

- Na vysokom alebo uzamykateľnom mieste, mimo dosahu detí.
- Na suchom mieste.
- S nasadenou lištou a krytom na pílu (9)

Údržba vodiacej lišty

Pre maximálnu životnosť vodiacej lišty je odporúčaná nasledujúca údržba.

Nosné koľajnice vodiacej lišty, ktoré nesú reťaz, by mali byť vyčistené pred uskladnením pily alebo ak sú reťaz alebo vodiace lišty zanesené nečistotou.

Koľajnice by sa mali vyčistiť po každom zosadení reťaze. Po uplynutí každých 5 hodín prevádzky vodiacu lištu pretočte tak, aby jej horná strana bola ďalej spodná a naopak.

Situácie, ktoré vyžadujú údržbu reťaze a vodiacej lišty:

1. Odstráňte kryt na reťaz a potom vodiacu lištu a reťaz. (pozri kapitola ZOSTAVENIE)
2. Z koľajnic vodiacej lišty odstráňte nečistoty pomocou drôtenej kefy, skrutkovača alebo podobného vhodného náradia. (pozri obr. Q)
3. Skontrolujte, či ste dôkladne očistili miesta s nánosmi maziva.

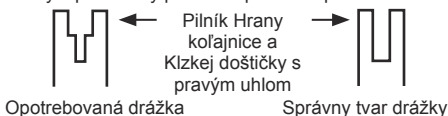
Podmienky, ktoré vyžadujú vykonanie údržby reťaz (7) a vodiacej lišty (6) :

- Rezy na jednej strane alebo pod uhlom.
- Píla bola pri reze tlačená silou.
- Nedostatočný prívod oleja do lišty a reťaze.

Po každom nabrúsení reťaze skontrolujte stav vodiacej lišty. Opatrovaná lišta spôsobuje poškodenie reťaze a rezanie tak bude obtiažne.

Po každom použití pílu odpojte od zdroja napájania, z vodiacej lišty a z otvoru reťazového kolesa odstráňte všetky nánosy pilín.

Ak nie je horná strana vodiacej lišty rovná, zarovnajzte strany a pravé uhly pomocou plochého pilníku.



Vymeňte vodiacu lištu, ak je drážka opotrebovaná, vodiaca lišta je ohnutá alebo prasknutá, alebo ak sa vyskytne nadmerné zahrievanie alebo štiepenie koľajníc. Ak je nutná výmena, používajte iba vodiace lišty špecifikované pre vašu pílu v zozname náhradných dielov alebo na štítku vašej reťazovej píly.

Výmena pílovej reťaze/výmena a obrátenie čepele

Vymeňte reťaz píly, ak sú zuby reťaze príliš opotrebované alebo ak dôjde k prasknutiu reťaze. Používajte iba remeň, ktorý je uvedený v tomto návode. Pri výmene reťaze píly vždy použite nové hnacie reťazové koleso. Tak bude zaistený správny pohon reťaze píly. Pred brúsením reťaze skontrolujte vodiacu lištu. Opatrebovaná alebo poškodená vodiaca lišta je veľmi nebezpečná. Opatrebovaná alebo poškodená vodiaca lišta spôsobí poškodenie reťaze píly a rezanie bude omnoho náročnejšie.

Potom napináciu západku založte na novú lištu (23) a utiahnite skrutku otáčaním doprava. Vyčnievajúca časť západky (a) musí zapadať do otvoru v lište. (pozri obr. R)

OSTRENIE PÍLOVEJ REŤAZE

! VÝSTRAHA: Pred vykonávaním servisu vyberte z píly batériu. Mohlo by dôjsť k úrazu elektrickým prúdom alebo pri kontakte s pohybujúcou sa reťazou k ťažkému či smrteľnému zraneniu. Rezné hroty na reťazi sú ostré. Pri manipulácii s reťazou používajte ochranné rukavice.

Dbajte na to, aby bola reťaz píly stále ostrá. Vaša píla bude rezať rýchlejšie a bezpečnejšie. Tupá reťaz píly bude spôsobovať zbytočne veľké opotrebovanie hnacieho reťazového kolesa, vodiacej lišty, reťaze píly a motora. Ak musíte reťaz píly tlačiť do dreva silou a ak vzniká pri rezaní iba prach s niekoľkými veľkými trieskami, reťaz píly je tupá.

REŤAZOVÉ KOLESO MAŽTE

! VAROVANIE: Počas vykonávania údržby alebo servisu tohoto náradia používajte pevné ochranné rukavice.


Pred vykonávaním servisu alebo údržby píly vždy vytiahnite akumulátor.

POZNÁMKA: Pri mazaní reťazového kolesa reťaz alebo lištu nie je nutné odstrániť.

1. Lištu a reťazové koleso vyčistite.
2. Hrot mazacej pištole vložte do mazacieho otvoru a vtlačajte mazivo, kým sa neobjaví na vonkajšom okraji zubu reťazového kolesa. (pozri obr. S)
3. Ak chcete otočiť kolesom reťaze, uvoľnite zarážku reťaze a rukou reťaz čiastočne vytiahnite tak, aby strana kolesa reťaze, ktorá nie je namazaná bola

v rovine s otvorom na mazanie. Postup mazania opakujte.

OCHRANA ŽIVOTNÉHO PROSTREDIA

 Elektrické výrobky sa nesmú likvidovať spolu s domácim odpadom. Recyklujte v zberných miestach na tento účel zriadených. O možnosti recyklácie sa informujte na miestnych úradoch alebo u predajcu.

ODSTRAŇOVANIE PROBLÉMOV

V prípade, že Vaše ručné elektrické náradie nefunguje bezchybne, v nasledujúcej tabuľke máte zobrazené symptómy jednotlivých porúch, ich možné príčiny a opatrenia na ich odstránenie. Ak nebudete vedieť identifikovať problém a odstrániť vzniknutú poruchu, obráťte sa na svoju autorizovanú servisnú opravovňu. **Dôležité upozornenie: Predtým, ako začnete hľadať poruchu, ručné elektrické Nádrie vypnite a vyberte z neho akumulátor.**

Symptóm	Možné príčiny	Možné riešenie
Reťazová píla nefunguje	Vybitá batéria Poškodená poistka	Nabite batériu Vymeňte poistku
Pílová reťaz je suchá Reťaz/vodiaca lišta sú horúce	Prehriatie Príliš vysoký prítlak pri rezaní. Uvoľnený spoj. Uvoľnený niektorý interný kontakt. Porucha vypínača.	Pílu položte na chladné, vetrané miesto, aby mohla vychladnúť. Pri rezaní na pílu príliš netlačte. Vyhľadajte autorizovanú servisnú opravovňu. Vyhľadajte autorizovanú servisnú opravovňu. Vyhľadajte autorizovanú servisnú opravovňu.
Pílová reťaz je suchá	V olejovej nádržke niet oleja. Odvzdušňovanie uzáveru olejovej nádržky je upchaté. Výtokový kanálik oleja je upchatý.	Doplniť olej. Vyčistiť uzáver olejovej nádržky. Prečistiť výtokový kanálik oleja.
Reťaz/vodiaca lišta sú horúce	V olejovej nádržke niet oleja. Odvzdušňovanie uzáveru olejovej nádržky je upchaté. Výtokový kanálik oleja je upchatý. Napnutie reťaze je príliš veľké. Reťaz je tupá.	Doplniť olej. Vyčistiť uzáver olejovej nádržky. Prečistiť výtokový kanálik oleja. Nastaviť napnutie reťaze. Nabrúsiť reťaz, alebo ju nahradiť novou.
Pílová reťaz beží trhavо, vibruje, alebo nepíli správne	Napnutie reťaze je príliš slabé. Reťaz je tupá. Reťaz je opotrebovaná. Zuby pílovej reťaze majú nesprávny smer.	Nastaviť napnutie reťaze. Nabrúsiť reťaz, alebo ju nahradiť novou. Reťaz vymeniť. Pílovú reťaz premontovať tak, aby mali zuby korektný smer.

PREHLÁSENIE O ZHODE

My,
Positec Germany GmbH
Grüner Weg 10, 50825 Cologne, Germany

Vyhlasujeme, že tento výrobok
Popis **Reťazová a tyčová akumulátorová píla**
Typ **WG322E WG322E.9 WG323E WG323E.9 (3**
- Označenie strojového zariadenia, zástupcu
reťazovej píly a tyčovej píly)
Funkcia **Rezanie dreva**

Zodpovedá nasledujúcim smerniciam:
2006/42/EC **2014/30/EU**
2011/65/EU
2000/14/EC v novelizácii 2005/88/EC

Poverený úradný orgán
Názov: Intertek Deutschland GmbH (úradná
vyhláška 0905)
Adresa: Stangenstraße 1, 70771 LEINFELDEN-
ECHTERDINGEN
Číslo certifikátu: 17SHW1086-01 (WG322E
WG322E.9) 17SHW1166-01 (WG323E WG323E.9)

WG322E WG322E.9
2000/14/EC v novelizácii 2005/88/EC:
- Postup vyhodnotenia zhody podľa **Dotatku V**
- Meraný akustický výkon **94.7 dB(A)**
- Deklarovaný zaručený akustický výkon **96 dB(A)**

WG323E WG323E.9

2000/14/EC v novelizácii 2005/88/EC:
- Postup vyhodnotenia zhody podľa **Dotatku V**
- Meraný akustický výkon **95.2 dB(A)**
- Deklarovaný zaručený akustický výkon **96 dB(A)**

Spĺňa posudzované normy:
EN 60745-1 **EN 60745-2-13**
EN ISO 3744 **EN 55014-1**
EN 55014-2 **Súčasť EN ISO11680-1**

Osoba zodpovedajúca za technickú dokumentáciu:

Názov: Marcel Filz
Adresa: Positec Germany GmbH, Grüner
Weg 10, 50825 Cologne, Germany



2018/03/09
Allen Ding
Zástupca vrchnej konštrukčnej kancelárie, Testovanie & Certifikácia
Positec Technology (China) Co., Ltd.
18, Dongwang Road, Suzhou Industrial Park, Jiangsu 215123, P. R. China

Akumulátorová reťazová píla SK

AVISOS GERAIS DE SEGURANÇA DE FERRAMENTAS ELÉCTRICAS



ATENÇÃO! Leia atentamente as seguintes instruções. A não observância destas instruções pode causar choque eléctrico, incêndio e/ou lesões graves.

Guarde estas instruções para referência futura.

Os termos “ferramenta eléctrica” utilizados em todos os avisos constantes destas instruções referem-se à sua ferramenta eléctrica accionada por corrente eléctrica (com cabo de alimentação) ou ferramenta eléctrica accionada por bateria (sem cabo de alimentação).

1. LOCAL DE TRABALHO

- a) **Mantenha o local de trabalho limpo e bem arrumado.** Áreas com pouca iluminação e desordenadas podem provocar acidentes.
- b) **Não utilize o aparelho em locais onde existam líquidos, gases ou poeiras inflamáveis e onde exista o risco de explosão.** As ferramentas eléctricas produzem faíscas que podem inflamar poeiras ou gases.
- c) **Mantenha as pessoas e particularmente as crianças afastadas da ferramenta eléctrica durante o seu funcionamento.** Qualquer distração pode fazê-lo perder o controlo do berbequim.

2. SEGURANÇA ELÉCTRICA

- a) **A ficha do berbequim deve encaixar bem na tomada de alimentação. Nunca modifique fichas, seja de que maneira for. Não utilize nenhuma ficha de adaptação com ferramentas eléctricas que tenham ligação à terra.** Fichas não modificadas e tomadas de corrente adequadas reduzem o risco de choque eléctrico
- b) **Evite o contacto do corpo com superfícies ligadas à terra como tubos, aquecedores, fogões e frigoríficos.** Existe um aumento do risco de choque eléctrico se o seu corpo estiver em contacto com a terra ou a massa.
- c) **Não exponha este equipamento à chuva ou humidade.** A infiltração de água num aparelho eléctrico aumenta o risco de choque eléctrico.
- d) **Não maltrate o cabo de alimentação. Nunca utilize o cabo para transportar, puxar ou desligar o aparelho da tomada de corrente.** Mantenha o cabo afastado de fontes de calor, óleos, arestas afiadas ou peças em movimento. Cabos danificados ou enredados aumentam o risco de choque eléctrico.
- e) **Quando trabalhar com uma ferramenta eléctrica ao ar livre, use um cabo de extensão adequado para utilização no exterior.** A utilização de um cabo adequado para uso exterior reduz o risco de choque eléctrico.

- f) **Se não puder evitar a utilização de uma ferramenta eléctrica num local húmido, utilize uma fonte de alimentação protegida contra corrente residual.** A utilização de um dispositivo com protecção contra corrente residual reduz o risco de choque eléctrico.

3. SEGURANÇA DE PESSOAS

- a) **Esteja atento, observe o que está a fazer e seja prudente sempre que trabalhar com uma ferramenta eléctrica. Não utilize nunca uma ferramenta eléctrica quando estiver cansado ou sob a influência de drogas, álcool ou medicamentos.** Um momento de desatenção quando se utiliza uma ferramenta eléctrica pode causar lesões graves.
 - b) **Utilize equipamentos de segurança. Use sempre óculos de protecção.** Equipamentos de segurança, tais como máscaras protectoras, sapatos de sola antiderrapante, capacetes ou protecções auriculares devidamente utilizados reduzem o risco de lesões.
 - c) **Evite o arranque acidental da ferramenta. Certifique-se de que o comutador de alimentação está desligado antes de ligar a ferramenta à fonte de alimentação e/ou à bateria, antes de pegar nela ou antes de a transportar.** Se mantiver o dedo no interruptor ou accionar o aparelho enquanto este estiver ligado podem ocorrer acidentes.
 - d) **Remova quaisquer chaves de ajuste ou de porcas antes de ligar a ferramenta eléctrica.** Chaves de porcas ou de ajuste fixadas a peças móveis do berbequim podem causar lesões.
 - e) **Não exceda as suas próprias capacidades.** Mantenha sempre o corpo em posição firme e de equilíbrio, o que lhe permite controlar melhor a ferramenta eléctrica em situações imprevistas.
 - f) **Use roupa apropriada. Não use vestuário solto ou artigos de joalheria. Mantenha o cabelo, vestuário e luvas afastados de peças em movimento.** Roupas soltas, artigos de joalheria ou cabelos compridos podem ser agarrados por peças em movimento.
 - g) **Se forem fornecidos dispositivos para a montagem de unidades de extracção ou recolha de resíduos, Assegure-se de que são montados e utilizados adequadamente.** A utilização destes dispositivos pode reduzir os perigos relacionados com a presença de resíduos.
- ### 4. UTILIZAÇÃO E MANUTENÇÃO DA FERRAMENTA ELÉCTRICA
- a) **Não force a ferramenta. Utilize a ferramenta eléctrica apropriada para cada aplicação.** A utilização da ferramenta eléctrica apropriada executa o trabalho de forma melhor e mais segura, à velocidade para a qual foi concebida.
 - b) **Não utilize esta ferramenta se o interruptor estiver deficiente, não ligando ou desligando.** Qualquer ferramenta eléctrica que não possa ser controlada pelo interruptor é perigosa e deve ser reparada.

- c) Desligue a ficha da fonte de alimentação e/ou remova a bateria da ferramenta antes de proceder a quaisquer ajustes, antes de mudar de acessórios ou antes de guardar a ferramenta.** Estas medidas de segurança preventivas reduzem o risco de activação accidental da ferramenta.
- d) Quando não estiver a usar a ferramenta eléctrica, guarde-a fora do alcance das crianças e não deixe que esta seja utilizada por pessoas que não a conheçam, nem tenham lido as instruções.** As ferramentas eléctricas são perigosas nas mãos de utilizadores inexperientes.
- e) Faça a manutenção de ferramentas eléctricas. Verifique quaisquer desalinhamentos, encaixes de peças móveis, quebras e outras condições que possam afectar o funcionamento. Se esta ferramenta estiver avariada, mande-a reparar antes a utilizar.** Muitos acidentes são causados pela manutenção deficiente de ferramentas eléctricas.
- f) Mantenha as ferramentas de corte limpas e afiadas.** As ferramentas de corte com manutenção adequada e arestas de corte afiadas têm menos probabilidades bloquear e são mais fáceis de controlar.
- g) Utilize a ferramenta eléctrica, acessórios, brocas, etc. em conformidade com estas instruções e da forma prevista para este tipo específico de ferramenta, tendo em conta as condições presentes e o trabalho a executar.** A utilização de ferramentas eléctricas para aplicações diferentes daquelas a que se destinam pode levar a situações de perigo.

5. UTILIZAÇÃO E MANUTENÇÃO DE FERRAMENTA ALIMENTADA POR CONJUNTO DE BATERIAS

- a) Efectue o recarregamento do conjunto de baterias apenas com o carregador especificado pelo fabricante.** Um carregador para determinado tipo de conjunto de bateria pode levar ao risco de incêndio se utilizado com outro tipo de conjunto de baterias.
- b) Utilize ferramentas eléctricas apenas com os tipos de conjuntos de baterias especificamente designados.** A utilização de quaisquer outros tipos de conjuntos de baterias pode levar a riscos de lesão ou incêndio.
- c) Quando não estiver a utilizar o conjunto de baterias, mantenha-o afastado de objectos metálicos como cliques, moedas, chaves, pregos, parafusos ou outros objectos metálicos de pequena dimensão, que possam fechar o contacto entre os terminais.** O curto-circuito de terminais de bateria pode provocar incêndios ou queimaduras.
- d) Em condições inadequadas, o electrólito das baterias pode verter. Evite o contacto. Se ocorrer algum contacto accidental, lave com água.** Se o líquido entrar em

contacto com os olhos, procure imediatamente aconselhamento médico. O líquido das baterias pode provocar irritações de pele ou queimaduras.

6. ASSISTÊNCIA TÉCNICA

- a) A sua ferramenta eléctrica só deve ser reparada por um técnico de assistência qualificado e devem ser apenas utilizadas peças de substituição genuínas, mantendo assim a segurança da ferramenta.**

INDICAÇÕES DE AVISO PARA SERRAS DE CORRENTE:

- 1. Manter todos os membros do corpo afastados da corrente da serra enquanto a serra estiver em movimento. Certifique-se de que a corrente da serra não possa entrar em contacto com qualquer objeto antes de ligar a serra.** Durante o trabalho com uma serra de corrente é suficiente um momento de falta de atenção, para que a corrente da serra agarre a roupa ou corte partes do corpo.
- 2. Segurar a serra de corrente com a mão direita no punho de trás e com a mão esquerda no punho da frente.** Segurar a corrente de serra numa outra posição de trabalho, aumenta o risco de lesões e não é permitido.
- 3. Só segurar a ferramenta eléctrica pelas superfícies isoladas do punho, pois a corrente da serra pode entrar em contacto com cabos eléctricos escondidos.** O contacto da corrente da serra com um cabo sob tensão pode colocar as peças metálicas do aparelho sob tensão e levar a um choque eléctrico.
- 4. Usar óculos de proteção e protetor de ouvidos. Recomendamos a utilização de equipamentos de proteção para a cabeça, mãos, pernas e pés.** Equipamentos de proteção adequados reduzem o risco de lesões devido a aparas a voar e no caso de um contacto involuntário com a corrente de serra.
- 5. Não trabalhe com a serra de corrente trepando em cima de uma árvore.** A operação de uma serra de corrente trepando numa árvore apresenta riscos de lesões.
- 6. Manter sempre uma posição firme e só utilizar a serra de corrente se estiver sobre um subsolo firme, seguro e plano.** A utilização de escadas sobre um subsolo escorregadio ou instável, pode levar à perda do equilíbrio e do controlo da serra de corrente.
- 7. Ao cortar um galho sob tensão, deverá sempre contar com que ricocheteie.** Logo que a tensão nas fibras da madeira for aliviada, é possível que o galho esticado atinja a pessoa a operar o aparelho e/ou leve à perda de controlo sobre a serra de corrente.
- 8. Tenha especial cuidado ao cortar arbustos e árvores jovens.** O material fino pode se

engancha na corrente de serra e golpear a pessoa a operar o aparelho ou desequilibrá-la.

9. **Transportar a serra de corrente pelo punho e com a corrente de serra parada e com o carril de guia indicando para trás. Para o transporte e para a arrecadação da corrente de serra, deverá sempre aplicar a cobertura de proteção.** O manuseio cuidadoso da serra de corrente reduz a probabilidade de um contacto inadvertido com a serra de corrente.
10. **Seguir as instruções para a lubrificação, a tensão da corrente e a substituição de acessórios.** Uma corrente incorretamente tensionada ou lubrificada pode romper ou aumentar o risco de um contragolpe.
11. **Manter os punhos sempre secos, limpos e livres de óleo e gordura.** Punhos gordurosos, são escorregadios e levam à perda de controlo.
12. **Só serrar madeira. A serra de corrente só deve ser utilizada para trabalhos, para os quais é destinada – Exemplo: Não utilizar a serra de corrente para serrar plásticos, mureamentos ou materiais de construção, que não sejam de madeira.** A utilização da serra de corrente para trabalhos que não correspondam às disposições pode levar a situações perigosas.

CAUSAS E EVITAÇÃO DE CONTRAGOLPES:

Podem ocorrer contragolpes, se a ponta do carril de guia entrar em contacto com um objeto ou se a madeira se curvar e a corrente da serra for emperrada no corte.

Um contacto com a ponta do carril pode causar uma inesperada reação direcionada para trás, durante a qual o carril de guia é golpeado para cima e na direção da pessoa a operar a máquina.

Se a corrente da serra emperrar no canto superior da barra de guia, é possível que a barra possa ser golpeada no sentido de operação.

Cada uma destas reações pode levar à perda de controlo sobre a serra e possivelmente causar graves lesões. Não confie exclusivamente nos dispositivos de segurança montados na serra de corrente. Como utilizador de uma serra de corrente, deveria tomar diversas providências para assegurar um trabalho sem acidentes nem lesões.

Um contragolpe é a consequência de uma utilização incorreta ou indevida da ferramenta elétrica. Ele pode ser evitado por apropriadas medidas de cuidado, como descrito a seguir:

- **Segurar a serra firmemente com ambas as mãos, de modo que o polegar e os dedos circundem os punhos. Posicionar o corpo e os braços, de modo que possam suportar as forças de um contragolpe.** Se forem tomadas providências apropriadas, a pessoa a operar a ferramenta poderá controlar as forças de um

contragolpe. Jamais soltar a serra de corrente.

- **Evitar uma postura anormal e não serrar acima da altura dos ombros.** Desta forma é evitado um contacto involuntário com a ponta da barra e possibilitado um melhor controle da serra de corrente em situações inesperadas.
- **Utilizar sempre as barras e as serras de correntes sobressalentes prescritas pelo fabricante.** Barras e serras de corrente incorretas podem levar a um rompimento da corrente ou a contragolpes.
- **Siga as instruções do fabricante para afiar e para a manutenção da corrente da serra.** Limitadores de profundidade muito baixos aumentam a tendência a contragolpes.

RISCOS RESIDUAIS

Mesmo com a utilização prevista do aparelho, existe sempre um risco residual que não pode ser evitado. De acordo com o tipo e construção do aparelho, podem aplicar-se os seguintes potenciais perigos:

- Contacto com os dentes da serra expostos da correia da serra (perigos de corte)
- Acesso à correia da serra rotativa (perigos de corte)
- Movimento imprevisto e súbito da barra guia (perigos de corte)
- Projeção de peças da correia da serra (perigos de corte / injeção)
- Projeção de peças da peça de trabalho
- Contacto de óleo com a pele
- Perda de audição se não for utilizada a proteção auditiva necessária durante o trabalho

185

AVISOS DE SEGURANÇA PARA SERRAS DE CORRENTE COM HASTE EXTENSIVA

1. Não utilizar a máquina quando o operador estiver cansado, doente ou sob efeito de álcool ou outras drogas.
2. Para reduzir o risco, manter os espetadores a uma distância segura da máquina durante o seu funcionamento.
3. É importante ter consciência dos perigos das posições de funcionamento, bem como o risco de ser atingido por ramos a cair ou ramos que, ao bater no chão, fazem ricochete, o operador pode ser atingido por ramos a cair ou pelos ramos que fazem ricochete ao bater no chão. Retirar os ramos das secções.
4. Manter os pés firmes e equilibrados durante o funcionamento. Utilizar o arnês fornecido.
5. Manter a máquina a uma distância suficiente de linhas de energia elétrica suspensas.

AVISOS DE SEGURANÇA PARA A BATERIA

- a) Não desmonte, abra ou corte as células da bateria.
- b) Não submeta a bateria a curto-circuitos. Não armazena as baterias ao acaso numa caixa ou gaveta onde possam provocar um curto-circuito ou submetidas a curto-circuitos por materiais condutores. Quando não estiver a utilizar a bateria, mantenha-a afastada de outros objetos metálicos, como cliques, moedas, chaves, pregos, parafusos ou outros pequenos objetos de metal, que possam realizar uma ligação de um terminal a outro. Um curto-circuito dos terminais da bateria pode provocar queimaduras ou um incêndio.
- c) Não exponha a bateria ao calor ou a incêndios. Evite o armazenamento à exposição de luz solar direta.
- d) Não exponha a bateria ao choque elétrico.
- e) Em casos de fugas na bateria, não permita que o líquido entre em contacto com a pele ou olhos. Caso entre em contacto, lave a área afetada com quantidades abundantes de água e procure aconselhamento médico.
- f) Procure imediatamente aconselhamento médico se ingerir uma célula ou bateria.
- g) Mantenha a bateria limpa e seca.
- h) Limpe os terminais da bateria com um pano limpo e seco em caso de sujidade.
- i) A bateria necessita de ser carregada antes de ser utilizada. Consulte sempre estas instruções e utilize o procedimento de carga correto.
- j) Não mantenha a bateria a carregar quando não for utilizada.
- k) Após longos períodos de tempos de armazenamento, pode ser necessário carregar e descarregar a bateria diversas vezes para obter o desempenho máximo.
- l) A bateria regista o seu melhor desempenho quando é utilizada a uma temperatura ambiente normal (20°C ± 5°C).
- m) Ao eliminar as baterias, mantenha as baterias com diferentes sistemas eletroquímicos separadas umas das outras.
- n) Recarregue apenas com o carregador especificado pela WORX. Não utilize um carregador que não se encontra especificado para a utilização com o equipamento. Um carregador adequado para um determinado tipo de bateria pode provocar risco de incêndio quando é utilizado com outra bateria.
- o) Não utilize uma bateria que não se encontra concebida para a utilização com o equipamento.
- p) Mantenha a bateria fora do alcance das crianças.
- q) Preserve as informações originais do produto para futura referência.
- r) Retire a bateria do equipamento quando não estiver em utilização.
- s) Elimine-a de forma adequada.

GUARDE ESTAS INSTRUÇÕES

Instruções relativas a técnicas apropriadas para abate básico, corte de arbustos e corte transversal

1. Cortar árvores

Se duas ou mais pessoas estiverem a cortar ou abater ao mesmo tempo, a distância entre as pessoas a abater e cortar deveria ter no mínimo o dobro da altura da árvore a ser abatida. Ao abater árvores, deverá observar que outras pessoas não sejam sujeitas a quaisquer perigos, que não sejam atingidos cabos elétricos e que não sejam causados danos materiais. Se uma árvore entrar em contacto com um cabo elétrico, deverá informar imediatamente a companhia de energia elétrica responsável.

Ao trabalhar em declives, o operador da serra de corrente deveria permanecer na área acima da árvore a ser abatida, porque após ser cortada, a árvore provavelmente irá tombar e rolar declive abaixo. Antes de abater, deveria planejar um caminho de fuga e se necessário abrir um caminho. O caminho de fuga deve estender-se para trás e na diagonal para a parte traseira da linha de queda esperada, conforme ilustrado na Figura 1.

Antes de abater uma árvore, deverá considerar a inclinação natural da árvore, a posição dos galhos maiores e a direção do vento, para poder avaliar a direção na qual a árvore tende a cair.

Livrar a árvore de sujidades, pedras, cascas soltas, pregos, grampos e arames.

2. Abrir a boca

Realize o entalhe em 1/3 de diâmetro da árvore, perpendicularmente à direção da queda, conforme ilustrado na Figura 1. Primeiro fazer o corte horizontal inferior (W). Desta forma evita-se que a corrente de serra ou o carril de guia emperre ao fazer o segundo corte (X).

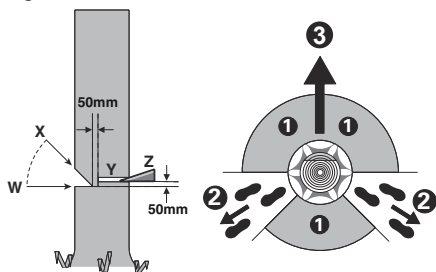
3. Fazer o corte de abate

Realize o corte (Y) traseiro de abate a pelo menos 50 mm mais alto do que o corte de entalhe horizontal, conforme ilustrado na Figura 1. O corte de abate deve ser executado paralelamente ao corte horizontal da boca. O corte de abate só deve ser feito de modo que ainda permaneça uma parte não cortada (dobradiça) entre a linha de abate e a boca. A dobradiça evita que a árvore possa virar e tombar para o lado errado. Não cortar a dobradiça.

Aproximando-se da dobradiça, o corte de abate deveria provocar a queda da árvore. Se houver risco de a árvore tombar numa direção não desejada, ou se a árvore balançar para frente e para trás, emperrando a corrente de serra, deverá interromper o corte de abate e introduzir cunhas de madeira, plástico ou alumínio (Z) para abrir o corte e para forçar a árvore a cair na direção desejada (3). Quando a árvore começar a cair, deverá remover a serra de corrente do corte, desligá-la, depositá-la e deixar a área de perigo pelo caminho de fuga

planeado (2). Tenha cuidado com galhos que estejam a cair e não tropece. (Ver Fig. 1)

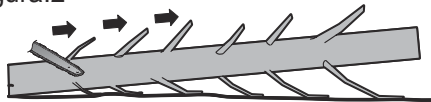
Figura.1



4. Desgalhar

Neste processo de trabalho são cortados os galhos de árvores deitadas a baixo. Ao desgalhar, os galhos maiores e apontados para baixo, que apoiam a árvore, devem ser deixados por enquanto. Remova os pequenos ramos num único corte, conforme ilustrado na Figura 2. Galhos sob tensão, deveriam ser cortados de baixo para cima, para evitar que a serra seja entalada.

Figura.2

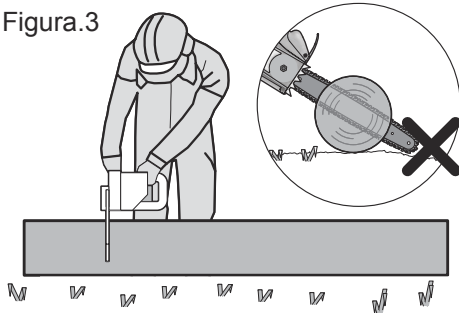


5. Cortar troncos ao comprimento

Neste processo de trabalho, a árvore deitada a baixo é cortada em pedaços. Manter uma posição segura e distribuir o seu peso uniformemente sobre ambos os pés. Se possível, deverá escorar e apoiar o tronco com galhos, barras ou cunhas. Seguir as simples instruções para serrar com facilidade.

Quando o tronco estiver apoiado em todo o seu comprimento, conforme ilustrado na Figura 3, é cortado a partir da parte superior (corte superior), evite o contacto com o chão, uma vez que irá reduzir significativamente a definição de corte da corrente.

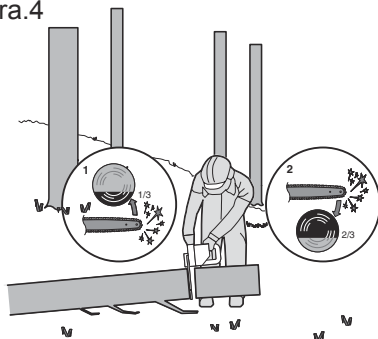
Figura.3



Quando o tronco estiver apoiado numa extremidade, conforme ilustrado na Figura 4, corte 1/3 de diâmetro

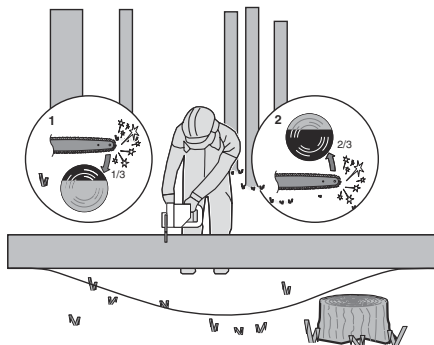
da parte inferior (corte inferior) (1). De seguida, realize o corte final através do corte superior para ir ao encontro do primeiro corte (2).

Figura.4



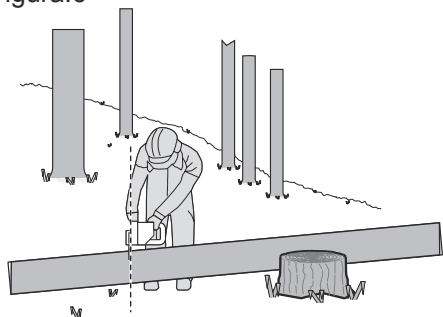
Quando o tronco estiver apoiado em ambas as extremidades, conforme ilustrado na Figura 5, corte 1/3 do diâmetro da parte superior (corte superior) (1). De seguida, realize o corte final através do corte superior de 2/3 inferiores (2) para ir ao encontro do primeiro corte.

Figura.5



Quando realizar o corte numa encosta, permaneça sempre no lado mais alto do tronco, conforme ilustrado na Figura 6. Para manter o controlo total no momento de "corte", deverá reduzir a força de pressão ao alcançar o fim do corte, sem soltar os punhos da serra de corrente. Tenha cuidado para que a serra de corrente não entre em contacto com o chão. Após a execução do corte, deverá aguardar a paragem da serra de corrente, antes de remover a serra de corrente. Sempre desligar o motor da serra de corrente, antes de se deslocar de árvore para árvore.

Figura.6



SÍMBOLOS

	Para reduzir o risco de ferimentos o utilizador deve ler o manual de instruções.
	Aviso
	Usar protecção para os ouvidos
	Usar protecção ocular
	Usar máscara contra o pó
	Proteger contra chuva.
	Utilizar capacete
	Usar luvas de proteção
	Utilizar calçado de proteção

	Aviso de perigo de linhas de energia elétrica suspensas.
	Os equipamentos eléctricos não devem ser depositados com o lixo doméstico. Se existirem instalações adequadas deve reciclá-los. Consulte a sua autoridade local para tratamento de lixos ou fornecedor para obter aconselhamento sobre reciclagem.
	Não eliminar as baterias. As baterias usadas devem ser entregues num ponto de reciclagem.
	Não queimar
	Não expor à chuva ou água
	Deve ser evitado o contacto da ponta da serra com qualquer objecto.
	Se a ponta da serra entrar em contacto com o material poderá causar um contragolpe repentino da barra de guia, que poderá causar graves lesões no utilizador.
	Utilize a serra de corrente sempre com as duas mãos.
	xINR18/65-y: pilhas de lítio-ião cilíndricas com diâmetro máx. de 18 mm e altura máx. de 65 mm; "x" representa um número de série das pilhas ligadas, em branco se 1; "-y" representa um número de células paralelas ligadas, em branco se 1.

188

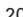
LISTA DE COMPONENTES

1. **PUNHO TRASEIRO**
2. **INTERRUPTOR DE LIGAR/DESLIGAR**
3. **FECHE DO TANQUE DE ÓLEO**
4. **PUNHO DIANTEIRO**
5. **PROTEÇÃO DE MÃO**
6. **LANÇA**
7. **CORRENTE DE SERRA**
8. **BOTÃO PARA ESTICAR A CORRENTE**
9. **TAMPA DA CORRENTE**
10. **CONJUNTO DE BATERIAS***
11. **FECHE DO CONJUNTO DE BATERIA***
12. **PROTEÇÃO TRASEIRA DAS MÃOS**
13. **PICO DO AMORTECEDOR**
14. **VISOR DO NÍVEL DO ÓLEO**
15. **BLOQUEIO DE LIGAÇÃO**
16. **RODA DA CORRENTE**
17. **SÍMBOLO DE DIREÇÃO DA CORRENTE**
18. **BOCAL DE ÓLEO**
19. **FIXAÇÃO DA BARRA**
20. **ORIFÍCIO DA BARRA DE APERTO**
21. **ABAS DE LOCALIZAÇÃO DA BARRA**
22. **COBERTURA DE ARMAZENAMENTO/TRANSPORTE DA BARRA E DA CORRENTE*(REVESTIMENTO)**
23. **PLACA DE TENSÃO DA BARRA (VER FIG. A)**
24. **PEGA DO CABO DE EXTENSÃO***
25. **BOTÃO DE BLOQUEIO***
26. **ALAVANCA DE FIXAÇÃO***
27. **CABO INTERNO***
28. **BOTÃO DE BLOQUEIO***
29. **SUPORTE DE LIGAÇÃO DO CABO DE EXTENSÃO***
30. **BOTÃO DE BLOQUEIO NA PEGA DO CABO DE EXTENSÃO***
31. **INTERRUPTOR ON/OFF NA PEGA DO CABO DE EXTENSÃO***
32. **ALÇA***

* Os acessórios ilustrados e descritos nas instruções de serviço nem sempre são abrangidos pelo conjunto de fornecimento.

DADOS TÉCNICOS

Tipo **WG322E WG322E.9 WG323E WG323E.9** (3- designação de máquinas, representante de motosserra e podadora)

	WG322E	WG322E.9	WG323E	WG323E.9
Tensão	20V  Max**			
Comprimento da lança	25cm			
Velocidade da corrente	3.8m/s			
Quantidade de enchimento do compartimento de óleo	130ml			
Passo da corrente	3/8"			
Número dos elos propulsores	40			
Calibre da corrente	0.043"			
Tipo de corrente adaptativo	ES: 3/8.043-40E/ QIRUI : A0(T)-40E/ OREGON: 90PX040G			
Tipo de barra adaptativo	ES: ES104SDEA041/ QIRUI : PO10-43SR(T) / OREGON: 104MLEA041			
Tempo de carregamento	5hrs			
Peso (corrente e barra incluídas)	2.8kg	2.4kg	4.6kg	4.2kg

** Tensão medida sem carga. A tensão inicial da bateria atinge o máximo de 20 volts. A tensão nominal é de 18 volts.

190

ACESSÓRIOS

	WG322E	WG322E.9	WG323E	WG323E.9
Serra de corrente	1	1	1	1
Barra	1	1	1	1
Cobertura de transporte	1	1	1	1
Haste de extensão (WA0166)	/	/	1	1
Carregador (WA3760)	1	/	1	/
Conjunto de baterias (WA3551)	1	/	1	/
Alça	/	/	1	1

Recomendamos-lhe que compre todos os acessórios no fornecedor onde tenha adquirido a ferramenta. Para mais pormenores, consulte a embalagem destes. Os comerciais também pode ajudar e aconselhar.

INFORMAÇÃO DE RUÍDO

	WG322E WG322E.9	WG323E WG323E.9
Pressão de som avaliada	$L_{pA} = 87.9 \text{ dB(A)}$	$L_{pA} = 85.7 \text{ dB(A)}$
Potência de som avaliada	$L_{wA} = 96 \text{ dB(A)}$	$L_{wA} = 96 \text{ dB(A)}$
$K_{pA} = 3.0 \text{ dB(A)}$		

Usar protecção para os ouvidos.



INFORMAÇÃO DE VIBRAÇÃO

Os valores totais de vibração são determinados de acordo com a normativa EN 60745:

Valor da emissão da vibração $a_h < 2.5 \text{ m/s}^2$	Instabilidade $K = 1.5 \text{ m/s}^2$
--	---------------------------------------

O valor total declarado da vibração poderá ser utilizado para comparar uma ferramenta com outra e poderá também ser utilizado numa avaliação preliminar de exposição.

AVISO: Os valores de emissão de vibração durante a utilização da ferramenta podem divergir dos valores declarados, dependendo da forma como a ferramenta é utilizada, dependendo dos exemplos seguintes e de outros modos de utilização:
O modo como a ferramenta é utilizada, os materiais a cortar ou perfurar.

A ferramenta estar em boas condições e bem conservada.

A utilização do acessório correcto para a ferramenta e a garantia de que está afiada e em boas condições. A firmeza com que se segura nas pegas e se quaisquer acessórios vibratórios são utilizados. Se a ferramenta é utilizada para o objectivo para a qual foi concebida e segundo as instruções.

Esta ferramenta pode causar síndrome de vibração mão-braço, se não for adequadamente utilizada.

AVISO: Para ser preciso, uma estimativa do nível de exposição nas condições actuais de utilização devem ter em conta todas as partes do ciclo de operação, como tempos em que a ferramenta está desligada e quando está em funcionamento, mas inactiva, ou seja, não realizando o seu trabalho. Isto poderá reduzir significativamente o nível de exposição durante o período total de trabalho.

Como minimizar o seu risco de

Utilize SEMPRE formões, brocas e lâminas afiadas. Mantenha esta ferramenta de acordo com as instruções e bem lubrificada (quando aplicável) Se a ferramenta for utilizada regularmente, invista em acessórios anti-vibração.
Planeie o seu horário de trabalho de forma a distribuir a utilização de ferramentas de alta vibração ao longo de vários dias.

UTILIZAÇÃO DE ACORDO COM AS DISPOSIÇÕES

O aparelho é determinado para cortar árvores, assim como para serrar troncos, galhos, vigas de madeira, tábuas, etc. e pode ser utilizado para cortes longitudinais e transversais ao sentido das fibras da madeira. Este aparelho é apropriado para serrar materiais minerais.

MONTAGEM

ATENÇÃO! Não instalar a bateria antes de ser completamente montada. Durante o manuseio da serra de corrente deverá usar sempre luvas de protecção.

MONTAGEM DA SERRA E DA CORRENTE DE SERRA

1. Desembalar cuidadosamente todas as peças.
2. Coloque a serra de correntes numa superfície sólida e nivelada.
3. Utilize apenas correntes genuínas WORX ou as recomendadas para a barra da guia.
4. Coloque a corrente de serra (7) na ranhura da lança (6). Certifique-se de que a corrente está a direção correta de funcionamento comparando com o ícone da corrente na barra guia ou consultando o Símbolo da direção da corrente (17) encontrado no corpo da serra. Certifique-se de que a placa de tensão da barra (23) está virada para fora. (Ver Fig. A)
5. Coloque os elos da corrente em volta da roda da corrente (16), para que o parafuso de fixação (20) e as duas Abas de localização da barra (21) na Fixação da barra (19) encaixam na chaveta da abertura na Barra guia (6). (Ver Fig. B1, B2)
6. Controlar, se todas as partes estão corretamente colocadas. Certifique-se de que os elos do acionamento estão completamente assentes na roda dentada do acionamento (Ver Fig. C1), evite dobras, conforme indicado na Fig. C2. Caso ocorram dobras, pegue na corrente na barra da guia logo à frente da dobra e retire a dobra.

NOTA: A corrente deve rodar livremente e estar sem dobras.

7. Encaixe a Cobertura da Corrente (9) e aperte a Cobertura da Corrente, rodando o Botão de Aperto da Corrente (8) no sentido dos ponteiros do relógio até estar apertada. (Ver Fig. D)

ATENÇÃO: A corrente ainda não está tensionada. Estique a corrente como descrito em "Esticar a corrente". A corrente

precisa de ser inspecionada para garantir que tem a tensão adequada.

ESTICAR A CORRENTE DE SERRA (Ver Fig. E1, E2)

NOTA: As correntes da serra irão esticar. Verifique a tensão da corrente com frequência quando for utilizada pela primeira vez e aperte quando a Corrente (7) estiver solta à volta da Barra de guia (6).



ATENÇÃO!

- Remova a bateria da ferramenta antes de ajustar a tensão da motosserra.
- As extremidades de crte da corrente são afiadas. Utilize luvas de protecção quando manusear a corrente.
- Mantenha sempre a corrente correctamente tensionada. Uma corrente solta aumentará o risco de contrgolpe. Uma corrente solta poderá saltar da ranhura da barra de guia. Isso poderá causar ferimentos no operador e danificar a corrente. Uma corrente solta causará o rápido desgaste da corrente, da barra e da roda da corrente.

1. Colocar a serra de corrente sobre uma superfície plana.
2. Rode o botão para esticar a corrente (8) para a direita até alcançar a tensão correta da corrente.

NOTA: a tensão é automaticamente aumentada enquanto o Botão de tensionamento da corrente (8) é rodado para o lado direito. O mecanismo de engrenagem evita o alívio da tensão da corrente.

3. Incline a serra para a frente (Ver Fig. E1) onde a ponta da Barra da guia (6) é empurrada numa direcção ascendente. Isto irá retirar a folga da corrente.
4. Aperte totalmente o Botão de tensionamento da corrente (8) rodando para o lado direito.
5. Verifique duas vezes a definição de tensão definida pela botão de tensionamento de corrente. A tensão de corrente correta é atingida quando for possível elevar a corrente (7) a aproximadamente metade da profundidade do elo de transmissão da barra de guia (6) no centro. Isto deve ser realizado com uma mão para elevar a corrente contra o peso da máquina. (Ver Fig. E2)

NOTA: A corrente (7) está tensionada de forma adequada quando pode ser elevada e retirada da barra de guia (9) e o elo de transmissão está no interior da calha da barra de guia (6).

NOTA: a corrente (7) irá esticar durante o corte e perder a tensão adequada. Quando a corrente ficar solta, desaperte completamente o Botão de tensionamento da corrente (8) ou rode o botão três voltas completas para a esquerda, em seguida, reaperte o Botão de tensionamento da corrente (8) para repor corretamente a tensão da corrente repetindo as Etapas 1-4 enumeradas acima.

MONTAGEM DA HASTE DE EXTENSÃO (apenas para WG323E, WG323E.9)

Alinhe e insira a pega do cabo de extensão no eixo. Rode o botão de bloqueio para a direita para bloquear. (Ver Fig. F1, F2)

NOTA: Certifique-se de que o eixo está firmemente bloqueado.

MONTAR O CABO DE EXTENSÃO NA MÁQUINA (Ver Fig. G1)

Passo1: Alinhar e inserir o suporte de ligação do cabo (29) na serra.

Passo2: Rodar o Botão de bloqueio (28) para a esquerda para fixar o cabo de extensão à máquina.

NOTA: Certifique-se de que o cabo de extensão está bloqueado firmemente na posição antes de colocar em funcionamento.

REMOÇÃO DO CABO DE EXTENSÃO (Ver Fig. G2)

Passo1: Rodar o Botão de bloqueio (28) para a esquerda para desapertar e retirar.

Passo2: Deslizar a corrente para retirar o cabo de extensão com a corrente.



ATENÇÃO!

• Quando utilizar esta máquina com o Cabo de extensão, certifique-se de que a bateria foi removida.

Ajustar o comprimento do cabo

A motosserra com cabo para podar tem um conjunto de cabo de redução que estende de 2 m (totalmente recolhido) a 2.7 m (totalmente estendido).

A alavanca de fixação (26) é utilizada para fixar o cabo na posição a qualquer comprimento de extensão.

1. Para estender o cabo, solte a alavanca de fixação conforme mostrado na Fig. H. O cabo desliza livremente.
2. Puxe a secção interna do cabo para o comprimento de extensão pretendido. Nota: estenda o cabo até ao comprimento mínimo pretendido para alcançar a parte que deve ser cortada.
3. Para bloquear o cabo na posição, aperte a alavanca de fixação conforme mostrado na Fig. H.

LUBRIFICAÇÃO DA CORRENTE



IMPORTANTE: A serra de corrente não é fornecida cheia de óleo de corrente de serra. É importante que esta seja abastecida com óleo antes da utilização. A utilização da serra de corrente sem óleo de aderência para correntes de serra ou com um nível de óleo inferior à marca mínima, levará à danificação da serra de corrente.

NOTA: A vida útil e a potência de corte da corrente dependem de uma lubrificação ideal. Por este motivo a serra de corrente é automaticamente lubrificada com óleo de aderência para correntes de serra durante o funcionamento.

ENCHER O TANQUE DE ÓLEO:



ATENÇÃO: Remova a bateria antes de encher o depósito de óleo.

1. Apoiar a serra de corrente com o fecho do

tanque de óleo (3) para cima, sobre uma base apropriada.

2. Limpar com um pano a área em volta do fecho do tanque de óleo e desaparafusar o fecho.
3. Adicione óleo de barra e corrente até o depósito estar cheio.
4. Observe que não entre sujidade no tanque de óleo, reinstale o Tampão de Enchimento de Óleo (3) e aperte-o, rodando-o no sentido dos ponteiros do relógio até apertar à mão.



IMPORTANTE: Pequenos canais de compensação na tampa do tanque de óleo possibilitam a troca de ar entre o tanque de óleo e o meio ambiente. Para evitar uma saída de óleo, deverá sempre observar que a serra seja depositada na posição horizontal quando não estiver a ser funcionada (a tampa do tanque de óleo (3) mostra para cima).

Utilize exclusivamente óleo de aderência biodegradável recomendado, para evitar um dano da serra de corrente (Grade: ISO VG32). Pode encontrá-lo no local em que adquiriu esta serra ou na sua loja de equipamento local. Jamais utilize óleo reciclado ou óleo velho. O emprego de óleo não homologado invalida a garantia.

Não ingerir. Se ingerido, consultar de imediato um médico. Manter fora do alcance das crianças. Guardar afastado de calor ou lume forte.

CONTROLAR O AUTOMATISMO DE ÓLEO

O funcionamento da lubrificação automática da corrente pode ser controlado ao ligar a serra (6) e segurá-la com a ponta no sentido de um cartão ou de um papel no chão. Se for possível ver uma pista de óleo, significa que o automatismo de óleo funciona perfeitamente. Se não for possível ver nenhuma pista de óleo, apesar do depósito estar cheio, leia o capítulo "Busca de erros" ou entre em contacto com uma oficina pós-venda WORX.



AVISO: Não permitir que a corrente entre em contacto com o chão e mantenha uma distância de 30 cm.

OPERAÇÃO

1. ANTES DE UTILIZAR A FERRAMENTA SEM FIOS



ATENÇÃO! O carregador e o conjunto de baterias são concebidos especificamente para trabalhar em conjunto e, por isso, não tente utilizar outros dispositivos. Nunca introduza ou deixe entrar objetos metálicos no seu carregador ou nas ligações do conjunto de baterias porque pode causar falhas elétricas ou perigos.

NOTA: O seu conjunto de baterias está DESCARREGADO e tem de o carregar uma vez antes o utilizar.

O carregador e o conjunto de baterias são

concebidos especificamente para trabalhar em conjunto e, por isso, não tente utilizar outros dispositivos.

2. CARREGAMENTO DO CONJUNTO DE BATERIAS

A bateria de iões de lítio está protegida contra um descarregamento total. Quando a bateria fica sem carga, a ferramenta desliga-se graças à existência de um circuito de proteção.

Em ambientes quentes ou após uma utilização intensa, a bateria pode ficar demasiado quente o que não permite o seu carregamento. Deixe a bateria arrefecer antes de a carregar.

3. COMO RETIRAR OU INSTALAR O CONJUNTO DE BATERIAS (Ver Fig. 11, 12, 13)

Solte o botão de desbloqueio do conjunto de baterias para remover o conjunto de baterias da sua ferramenta. A seguir, volte a introduzir o conjunto de baterias no compartimento de baterias. Um simples empurrão e uma ligeira pressão serão suficientes para ouvir o clique. Verifique se a bateria está completamente segura.

NOTA: Quando remover o conjunto de baterias, segure firmemente para evitar a queda e danos.

4. LIGAR E DESLIGAR (Ver Fig. J)



ATENÇÃO: Verifique a bateria antes de utilizar a ferramenta sem fios. Utilize apenas a bateria indicada na secção dos acessórios.

Para **colocar em funcionamento** o aparelho, deverá pressionar o bloqueio de ligação (15), pressionar completamente o interruptor de ligar/desligar (2) e mantê-lo nesta posição. Agora poderá soltar o bloqueio de ligação.

Para **desligar**, deverá soltar o interruptor de ligar/desligar.

5. CORTE



IMPORTANTE: O tanque de óleo está cheio? Controlar a indicação do nível de óleo (14) antes do trabalho e

regularmente durante o trabalho. (Ver Fig. K1) Abastecer com óleo, logo que o nível de óleo alcançar o canto inferior da janela de visão. Um abastecimento é suficiente para aprox. 12 minutos, de acordo com as pausas e a intensidade do trabalho.

A tensão da corrente deve ser controlada a 10 minutos durante o funcionamento.

- 1) Instale o conjunto de baterias na máquina.
- 2) Certifique-se de que a secção de ligação a ser cortada não está no chão. Isto irá evitar que a corrente (7) toque no chão, pois irá cortar o tronco. Tocar no chão enquanto a corrente está em funcionamento é perigoso e enfraquece a corrente.
- 3) Segure bem a ferramenta com ambas as mãos. Sempre segurar a serra de corrente firmemente com ambas as mãos (4), a mão esquerda no punho dianteiro e a mão (1) direita no punho traseiro. Sempre envolver firmemente o punho

- com polegar e dedos. (Ver Fig. K2)
- 4) Mantenha-se sempre bem posicionado e em equilíbrio. Mantenha os pés afastados à largura dos ombros. Divida o seu peso de forma equilibrada em ambos os pés.
 - 5) Quando estiver pronto para cortar, empurre o bloqueio de ligação (15) completamente com o polegar direito e carregue no gatilho. Esta ação irá ligar a serra. Soltar o gatilho irá desligar a serra. A corrente da serra já deve estar se movimentando à plena velocidade antes de começar um corte.
 - 6) Quando começar um corte, coloque lentamente a corrente em movimento contra a madeira. A madeira deve estar o mais próxima possível do corpo da serra. Segure firmemente a serra no lugar para evitar possíveis saltos ou patinagem (movimentos de lado) da serra.
 - 7) Guie a serra com uma pequena pressão e não exerça demasiada pressão sobre a serra, deixando a serra efetuar o seu trabalho. O motor irá sobrecarregar e desgastar. Irá desempenhar melhor o seu trabalho e de forma mais segura na taxa para a qual foi concebida.
 - 8) Retire a serra do corte com a serra a funcionar na velocidade mais rápida. Pare a serra ao soltar o botão Ligar/Desligar (2). Certifique-se de que a corrente parou antes de pousar a serra.
 - 9) Continue a praticar em toros numa área de trabalho segura até estar confortável com o equipamento, aplicando um movimento fluido e um ritmo de corte estável.

- Utilize apenas a corrente de baixo retorno e a barra de guia (6) fornecida com esta serra de corrente.
- Nunca utilize uma Corrente de Serra frouxa ou solta. Mantenha a corrente de corte com a tensão adequada.

UTILIZAÇÃO CORRETA DA MOTOSSERRA

1. Apenas operar a motosserra mantendo uma posição firme e segura.
2. Manter a motosserra levemente à direita do próprio corpo. (Ver Fig. L).
3. Antes de entrar em contacto com a madeira, a corrente (7) deve estar em plena velocidade.
4. Utilize os Picos do Amortecedor (13) para fixar a serra à madeira antes de iniciar o corte.
5. Utilize os Picos do Amortecedor como ponto de alavancagem enquanto corta. (Ver Fig. M)
6. Jamais operar a motosserra com braços esticados. Não tente serrar em locais de difícil acesso, ou estando em pé sobre uma escada. (Ver Fig. N).

Nunca utilize a serra de correntes acima da altura dos ombros.

SERRAR MADEIRA SOB TENSÃO (VER FIG. O)



ATENÇÃO: Ao cortar um galho sob tensão, deverá sempre contar com que ricocheteie. Quando a tensão da madeira é libertada, o membro pode ressaltar e bater no operador, causando ferimentos graves ou morte.

Se houver madeira em ambos os lados, deverá primeiramente cortar por cima (Y) um terço do diâmetro (corte superior) pelo tronco e em seguida cortar o tronco por baixo (Z) no mesmo lugar, para evitar estilhaços e que a serra emperre. Evite o contacto da corrente de serra com o chão. Se apenas houver madeira de um lado, deverá primeiramente cortar por baixo (Y) um terço do diâmetro (corte inferior) para cima e em seguida no mesmo lugar, cortar o tronco por cima (Z), para evitar estilhaços e que a serra emperre.

OPERAÇÃO PARA A MOTOSSERRA COM CABO PARA PODAR (APENAS PARA WG323E, WG323E.9)

Cortar com a alça (Ver Fig. P1)

A Haste de Extensão é fornecida com uma alça que proporciona um apoio extra quando elevar a Serra de corrente no ar. Prender a alça à Haste de Extensão e colocar à volta do ombro. A alça pode também suavizar o impacto se deixar cair Motosserra após terminar um corte.

Cortar com o cabo de extensão

1. Instale o conjunto de baterias na máquina.
2. Antes de cortar um ramo alto, considerar todos os pontos detalhados na secção anterior "Cortar Ramos", mas é importante ter especial atenção à provável trajetória de queda do ramo.



ATENÇÃO: Não ficar diretamente por baixo do ramo a ser cortado. Manter os espetadores distantes. Não fique numa escada

Dispositivos de segurança contra ressalto nesta serra

Esta serra tem uma corrente que tem um baixo retorno e barra de guia com retorno reduzido. Ambos os itens reduzem a possibilidade de retorno. Contudo, o ressalto pode ainda assim ocorrer. Os passos seguintes reduzem o risco de ressalto.

- Sempre segurar a serra de corrente firmemente com ambas as mãos. Os polegares e dedos têm de envolver a pega da serra.
- Mantenha todos os itens de segurança na posição correta na serra. Certifique-se de que funcionam adequadamente.
- Não exceda ou corte acima da altura do ombro.
- Mantenha-se sempre bem posicionado e em equilíbrio.
- Mantenha-se ligeiramente à esquerda da serra. Isto previne que o seu corpo fique em linha reta com a Corrente da Serra.
- Não permita que a ponta da barra da guia toque alguma coisa quando a Corrente da Serra estiver em movimento.
- Nunca tente cortar dois troncos ao mesmo tempo. Corte um tronco de cada vez.
- Não enterre a ponta da Barra da Guia ou tente realizar cortes por penetração (perfurar em madeira utilizando a ponta da barra).
- Tenha atenção à deslocação da madeira ou outras forças que poderão apertar a Corrente da Serra.
- Tenha muito cuidado quando retomar um corte anterior.

ou outro tipo de apoio instável enquanto utilizar a ferramenta. Não utilizar a ferramenta junto a cabos, energia elétrica ou linhas telefônicas. Manter 3 metros de distância de todas as linhas elétricas. (Ver Fig. P2-P5)

3. Segure bem a ferramenta com ambas as mãos. Utilize apenas as áreas designadas para segurar quando operar a motosserra com cabo para podar (Ver Fig. P6). Sempre segurar a serra de corrente firmemente com ambas as mãos, a mão esquerda no punho dianteiro e a mão direita no punho traseiro. Sempre envolver firmemente o punho com polegar e dedos.
4. Mantenha-se sempre bem posicionado e em equilíbrio. Mantenha os pés afastados à largura dos ombros. Divida o seu peso de forma equilibrada em ambos os pés.
5. Quando estiver pronto para cortar, empurre o bloqueio de ligação (30) completamente, de seguida, pressione por completo o interruptor On/off (31) (Ver Fig. P7). Esta ação irá ligar serra. Soltar o gatilho irá desligar a serra. A corrente da serra já deve estar se movimentando à plena velocidade antes de começar um corte.
6. Quando começar um corte, coloque lentamente a corrente em movimento contra a madeira. Segure firmemente a serra no lugar para evitar possíveis saltos ou patinagem (movimentos de lado) da serra.
7. Guie a serra com uma pequena pressão e não exerça demasiada pressão sobre a serra. O motor irá sobrecarregar e desgastar. Irá desempenhar melhor o seu trabalho e de forma mais segura na taxa para a qual foi concebida.
8. Retire a serra do corte com a serra a funcionar na velocidade mais rápida. Pare a serra ao soltar o botão Ligar/Desligar. Certifique-se de que a corrente parou antes de pousar a serra.

APARAR UMA ÁRVORE (PODAR)



AVISO: Evite contragolpes. Os contragolpes podem resultar em lesões graves ou morte.

Consulte Contragolpes para evitar os riscos de contragolpes.

AVISO: Não opere a Motosserra com cabo para podar enquanto

- estiver numa árvore
- estiver numa escada ou numa superfície instável

**• estiver numa posição desconfortável
Pode perder o controlo da Motosserra com cabo para podar, causando lesões graves.**



AVISO: Não estenda os braços acima dos ombros quando utilizar a Motosserra com cabo para podar.

CUIDADO: Procure ajuda profissional se estiver perante condições que estão além das suas capacidades.

Aparar uma árvore é o processo de cortar ramos de uma árvore viva. Mantenha-se sempre bem posicionado e em equilíbrio. Mantenha os pés afastados à largura dos ombros. Divida o seu peso

de forma equilibrada em ambos os pés.

Siga as instruções abaixo para aparar uma árvore.

1. Faça o primeiro corte a 15 cm do tronco da árvore ou por baixo do ramo. Utilize a parte superior da barra guia para este corte. Corte 1/3 do diâmetro do ramo (Consulte a Fig. P8).
2. Mova mais 5 a 10 cm no ramo. Faça um segundo corte acima do ramo. Continue a cortar até cortar o ramo todo.
3. Faça um terceiro corte o mais perto da árvore possível na parte de baixo da ponta do ramo. Utilize a barra guia para fazer este corte. Corte 1/3 do diâmetro da ponta.
4. Faça um quarto corte diretamente acima do terceiro corte. Corte para baixo para chegar ao terceiro corte. Isto irá retirar a ponta do ramo.

MANUTENÇÃO DA SERRA

Siga as instruções de manutenção constantes no presente manual. A limpeza e manutenção apropriadas da Corrente da Serra e da Barra da Guia, podem reduzir as probabilidades de ressalto. Inspeção e proceda à manutenção da serra após cada utilização. Isso aumentará a vida útil da serra.

NOTA: mesmo com a afiação apropriada, o risco de ressalto pode aumentar com cada afiação.

MANUTENÇÃO E ARMAZENAMENTO DA MOTOSSERRA

1. Remova o conjunto da bateria da serra

- Quando não estiver a ser utilizada.
- Antes de movimentar de um local para outro.
- Antes de ser reparada.
- Antes de substituir os acessórios ou complementos, tais como a Corrente da Serra e a Barra da Guia.

2. Inspeção a serra antes e após cada utilização quanto a. Verifique a serra com atenção se a guarda ou outras peças for danificada.

Verifique se existem danos que possam afetar a segurança do operador ou o funcionamento da serra. Verifique quaisquer desalinhamentos, encaixes de peças móveis. Verifique se existem peças danificadas ou quebradas. Não utilize a Motosserra se qualquer outro dano que afete a segurança ou o funcionamento é evidente. Leve as peças danificadas a ser reparadas pelo centro de serviço autorizado. Para localizar um centro de serviço autorizado, visite www.worx.com

3. Mantenha a Motosserra com cuidado.

- Nunca exponha a serra a chuva ou humidade direta.
- Mantenha a Corrente da Serra afiada, limpa e lubrificada para um melhor e mais seguro desempenho.

- Siga os passos realçados no presente manual para afiar a Corrente da Serra.
- Manter os punhos sempre secos, limpos e livres de óleo e gordura.
- Mantenha todos os parafusos e porcas apertados.

4. A sua ferramenta elétrica só deve ser reparada por pessoal qualificado e só devem ser colocadas peças sobressalentes originais.

5. Quando não estiver a ser utilizada, guarde sempre a Motosserra.

- Num local elevado e fechado, fora do alcance das crianças.
- Num local seco.
- Com a barra e a cobertura da corrente (9) no lugar

Manutenção da barra

Para aumentar a vida útil da barra, é recomendada a seguinte manutenção.

Os trilhos da barra que conduzem a corrente devem ser limpos antes de armazenar a ferramenta ou se a barra ou corrente aparentar estar suja.

Os trilhos devem ser limpos sempre que a corrente for retirada.

Para limpar os trilhos da barra:

1. Remova a tampa da corrente, a barra e a corrente. (consulte a secção Montagem)
2. Utilize uma escova metálica, chave ou uma ferramenta semelhante adequada para limpar os resíduos dos trilhos da barra. (Ver Fig. Q)
3. Certifique-se de que limpa as passagens de óleo cuidadosamente.

Condições que requerem manutenção da

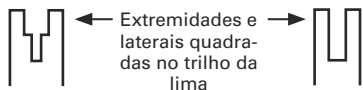
Corrente (7) e da Barra da guia (6):

- A serra corta de um lado ou em ângulo.
- A serra tem de ser forçada no corte.
- Fornecimento de óleo inadequado para a barra ou corrente.

Verifique a condição da barra de guia sempre que a corrente for afiada. Uma barra de guia desgastada danifica a corrente e torna o corte difícil.

Após cada utilização, com a unidade desligada da fonte de alimentação, limpe toda a serradura da barra de guia e do orifício da roda de corrente.

Quando o trilho de cima estiver desnivelado, utilize uma lima plana para restabelecer as laterais e extremidades quadradas.



Ranhura desgastada

Ranhura corrigida

Substitua a barra de guia quando a ranhura estiver desgastada, a barra da guia estiver dobrada ou com fissuras ou quando ocorrer excesso de aquecimento ou rebarba no trilho. Se for necessária substituição, utilize apenas a barra de guia especificada para a sua serra na lista de peças sobressalentes ou no autocolante localizado na serra de corrente.

Substituir a corrente da serra e a lança

Substitua a Corrente da Serra quando as lâminas estiverem demasiado gastas para afiar ou quando a corrente partir. Utilize apenas a corrente de

substituição anotada no presente manual.

Inspeccione a Barra da Guia antes de afiar a corrente. Uma Barra da Guia gasta ou danificada é insegura, causará danos na Corrente da Serra e dificultará o corte.

Coloque o ressalto para tensão da corrente (23) numa nova barra apertando o parafuso no sentido dos ponteiros do relógio. A saliência (a) deve ser encaixada no orifício da barra. (Ver Fig. R)

AFIAR A CORRENTE DE SERRA



ATENÇÃO: Remova o conjunto de pilhas da ferramenta antes de realizar qualquer ajuste, reparação ou manutenção. É

possível ocorrer situações de lesões graves ou morte do choque elétrico ou contacto corporal com a corrente em movimento.

Os bordos de corte na corrente são afiados.

Utilize sempre luvas de proteção durante a instalação ou remoção da corrente de corte.

Mantenha a Corrente da Serra afiada. A serra irá cortar mais rápido e de forma mais segura. Uma Corrente da Serra frouxa causará o desgaste excessivo da Roda Dentada, Barra da Guia, Corrente da Serra e do motor. Caso tenha de forçar a Corrente da Serra a penetrar na madeira e o corte apenas cria serragem com poucas aparas grandes, a Corrente da Serra está frouxa.

LUBRIFICAR A RODA DA CORRENTE



ATENÇÃO: Utilize luvas grossas quando realizar a manutenção ou funcionar com esta ferramenta.

Remova o conjunto de pilhas da ferramenta antes de realizar qualquer ajuste, reparação ou manutenção.

Nota: Não é necessário remover a corrente ou a barra quando lubrificar a roda da corrente.

1. Limpe a Barra da Guia e a roda da corrente.
2. Utilizando uma pistola de massa lubrificante, insira a ponta da pistola no orifício de lubrificação e injete massa lubrificante até aparecer no bordo exterior da ponta da roda da corrente (Ver Fig. S)
3. Para rodar a roda da corrente solte a paragem da corrente e puxe a corrente manualmente até que o lado não lubrificado da roda da corrente estiver alinhado com o orifício lubrificado. Repita o procedimento de lubrificação.

PROTECÇÃO AMBIENTAL



Os equipamentos eléctricos não devem ser depositados com o lixo doméstico. Se existirem instalações adequadas deve reciclá-los. Consulte a sua autoridade local para tratamento de lixos ou fornecedor para obter aconselhamento sobre reciclagem.

LOCALIZAÇÃO DE ERROS

Se a ferramenta eléctrica não estiver funcionando correctamente, a seguinte tabela descreve sinais de erro, possíveis causas e medidas de solução. Se não for possível identificar e eliminar o problema com estas informações, dirija-se à sua oficina de serviço pós-venda. **Atenção: Antes de tentar localizar o erro, deverá desligar a ferramenta eléctrica e retirar o acumulador.**

Sintoma	Causa provável	Solução
A serra de corrente não funciona.	O conjunto de pilhas está desligado. Fusível com defeito.	Carregamento da bateria. Substituir fusível.
A serra de corrente trabalha intermitentemente.	Sobreaquecimento Aplicação de demasiada corrente ao cortar. Ligação desapertada. Mau contacto interno. Interruptor de ligar/desligar com defeito.	Colocar a máquina num local fresco e ventilado para arrefecer o aparelho. Aplicar menos pressão ao cortar. Dirija-se a uma oficina especializada. Dirija-se a uma oficina especializada. Dirija-se a uma oficina especializada.
Corrente de serra seca.	Nenhum óleo no tanque. A evacuação de ar no fecho do tanque de óleo está entupida. O canal de escape de óleo está obstruído.	Encher com óleo. Limpar o fecho do tanque de óleo. Desobstruir o canal de escape de óleo.
Corrente/carril de guia quente.	Nenhum óleo no tanque. A evacuação de ar no fecho do tanque de óleo está entupida. O canal de escape de óleo está obstruído. Tensão de corrente muito alta. Corrente embotada.	Encher com óleo. Limpar o fecho do tanque de óleo. Desobstruir o canal de escape de óleo. Ajustar a tensão da corrente. Voltar a afiar a corrente ou substituir.
A serra de corrente arranca, vibra ou não serra corretamente.	Tensão da corrente muito frouxa. Corrente embotada. Corrente desgastada. Os dentes de corte mostram para a direção errada.	Ajustar a tensão da corrente. Voltar a afiar a corrente ou substituir. Substituir a corrente. Montar novamente a corrente de serra com os dentes na direção correta.

DECLARAÇÃO DE CONFORMIDADE

Nós,
Positec Germany GmbH
Grüner Weg 10, 50825 Cologne, Germany

Eclaremos que o produto,
Descrição **Motosserra e podadora alimentada a bateria**

Tipo **WG322E WG322E.9 WG323E WG323E.9**
(3- designação de máquinas, representante de motosserra e podadora)

Função **Cortar madeira**

Cumpra as seguintes Directivas,

2006/42/EC

2014/30/EU

2011/65/EU

2000/14/EC rectificada em 2005/88/EC

Organismo notificado envolvido

Nome: Intertek Deutschland GmbH (Organismo notificado 0905)

Morada: Stangenstraße 1, 70771 LEINFELDEN-ECHTERDINGEN

Certificação N.º: 17SHW1086-01 (WG322E

WG322E.9) 17SHW1166-01 (WG323E

WG323E.9)

WG322E WG322E.9

2000/14/EC retificada em 2005/88/EC:

- Processo de Avaliação de Conformidade segundo

Anexo V

- Nível de Volume de Som Medido **94.7 dB(A)**

- Nível de Volume de Som Garantido **96 dB(A)**

WG323E WG323E.9

2000/14/EC retificada em 2005/88/EC:

- Processo de Avaliação de Conformidade segundo

Anexo V

- Nível de Volume de Som Medido **95.2 dB(A)**

- Nível de Volume de Som Garantido **96 dB(A)**

Normas em conformidade com:

EN 60745-1

EN 60745-2-13

EN ISO 3744

EN 55014-1

EN 55014-2

Peças de EN ISO11680-1

Pessoa autorizada a compilar o ficheiro técnico,

Nome: Marcel Filz

**Endereço: Positec Germany GmbH,
Grüner Weg 10, 50825 Cologne,
Germany**



2018/03/09

Allen Ding

Engenheiro-chefe adjunto, Teste e Certificação

Positec Technology (China) Co., Ltd.

18, Dongwang Road, Suzhou Industrial

Park, Jianguo 215123, P. R. China

GENERELLA SÄKERHETSVARNINGAR FÖR ELVERKTYG



VARNING! Läs alla instruktioner. Följs inte alla nedanstående instruktioner kan det leda till elektriska stötår, brand och/eller allvarliga skador.

Spara alla varningar och instruktioner för framtida bruk.

Termen "strömförande verktyg" i alla varningsmeddelande nedan avser ditt (sladdverktyg) strömförande verktyg eller batteridrivna (sladdlösa) strömförande verktyg.

1. ARBETSOMRÅDET

- a) **Hill arbetsområdet rent och väl upplyst.** Skräpiga och mörka områden är skaderisker.
- b) **Använd inte strömförande verktyg i explosiva miljöer, som nära brandfarliga vätskor, gaser eller damm.** Strömförande verktyg skapar gnistor som kan antända damm eller ångor.
- c) **Hill barn och iskdäre borta när du använder ett strömförande verktyg.** Distractioner kan göra att du förlorar kontrollen.

2. ELSÄKERHET

- a) **Stickkontaktarna till verktyget måste matcha eluttaget. Modifiera inte stickkontakten på något sätt. Använd inte adapterkontakter i samband med jordade strömförande verktyg.** Omodifierade stickkontakter och matchande eluttag minskar risken för elstötår.
- b) **Undvik kroppskontakt med jordade ytor som rör, element, spisar och kylskåp.** Det finns en större risk för elstötår om din kropp är jordad.
- c) **Exponera inte strömförande verktyg för regn eller fuktiga förhållanden.** Kommer det in vatten i ett strömförande verktyg ökar det risken för elstötår.
- d) **Missbruka inte sladden. Använd aldrig sladden för att bära, dra eller dra ut stickkontakten för det strömförande verktyget.** Hill sladden borta från hetta, olja, skarpa kanter eller rörliga delar. Skadade eller tillrasslade sladdar ökar risken för elstötår.
- e) **När du använder ett strömförande verktyg utomhus använder du en förlängningssladd som lämpar sig för utomhus bruk.** Använder du en sladd för utomhus bruk reducerar du risken för elstötår.
- f) **Om det inte går att undvika att driva ett elverktyg i en fuktig lokal, använd då en restströmsskyddad (RCD) strömtillförselanordning.** Användning av en RCD minskar risken för elektriska stötår.

3. PERSONLIG SÄKERHET

- a) **Var uppmärksam, hill ögonen på vad du gör och använd sunt förnuft när du använder ett strömförande verktyg.**

Använd inte ett strömförande verktyg när du är trött eller påverkad av droger, alkohol eller läkemedel. En kort stund av ouppmärksamhet med strömförande verktyg kan resultera i allvarliga personskador.

- b) **Använd säker utrustning. Använd alltid skyddsglasögon.** Säkerhetsutrustning som munskydd, halkfrja skor, skyddshjälm eller hörselskydd som används när det behövs kommer att reducera personskador.
 - c) **Förhindra ofrivillig start. Se till att kontakten är i off-läge innan du ansluter till strömkälla och/eller batterienhet, tar upp eller bär med dig verktyget.** Bär du strömförande verktyg med fingret på kontakten eller sätter i stickkontakten i eluttaget när kontakten är i PL-läge utgör det en skaderisk.
 - d) **Ta bort alla skiftnycklar eller skruvnycklar innan du sätter på det strömförande verktyget.** En skift- eller skruvnyckel som lämnas kvar på en roterande del på ett strömförande verktyg kan orsaka personskador.
 - e) **Sträck dig inte för långt. Bibehåll alltid förfästet och balansen.** Detta gör att du kan kontrollera verktyget bättre i oväntade situationer.
 - f) **Klä dig rätt. Använd inte löst sittande kläder eller smycken. Hill ditt hår, dina kläder och handskar borta från rörliga delar.** Lösa kläder, smycket eller långt hår kan snärjas in i rörliga delar.
 - g) **Om det på enheterna finns anslutning för dammsug och dammuppsamling ser du till att de är anslutna och används korrekt.** Använder du dessa anordningar reducerar det dammrelaterade faror.
- ### 4. ANVÄNDNING OCH UNDERHÅLL AV STRÖMFÖRANDE VERKTYG
- a) **Forcera inte det strömförande verktyget. Använd korrekt verktyg för arbetet.** Det korrekta verktyget kommer att göra jobbet bättre och säkrare med den hastighet den tillverkats för.
 - b) **Använd inte verktyget om kontakten inte sätter på eller stänger av det.** Alla strömförande verktyg som inte kan kontrolleras med kontakten är farliga och måste repareras.
 - c) **Koppla från stickkontakten från strömkällan och/eller batterienheten från elverktyget innan du utför några justeringar, ändrar I tillbehören eller magasinerar elverktygen.** Sidana förebyggande säkerhetsåtgärder reducerar risken för att du startar verktyget oavsiktligt.
 - d) **Förvara verktyget som inte används utom räckhåll för barn och låt inte någon person använda verktyget som inte känner till verktyget eller dessa anvisningar.** Strömförande verktyg är farliga i händerna på utbildade användare.
 - e) **Uthåll underhåll på verktygen. Kontrollera inriktningen eller fästet för rörliga delar, defekta delar och alla andra saker som kan påverka användningen av elverktyget.**

Om den skadats måste elverktyget repareras före användning. Många olyckor orsakas av felaktigt underhållna elverktyg.

- f) **Håll sågverket skarpa och rena.** Korrekt underhållna skärverktyg med skarpa egg kommer inte att köra fast lika ofta och är enklare att kontrollera.
- g) **Använd elverktyget, tillbehören och verktygsbitsen etc. i enlighet med dessa anvisningar och på det sätt som avsetts för varje typ av elverktyg. Ha också i åtanke arbetsförhållandena och arbetet som skall utföras.** Använder du elverktyg för åtgärder som skiljer sig det avsedda arbetet kan det resultera i riskfyllda situationer.
5. **ANVÄNDNING OCH SKÖTSEL AV SLADDLÖSA VERKTYG**
- a) **Ladda bara med den laddare som tillverkaren anger.** En laddare som passar en typ av batteripaket kan medföra en risk för brand när den används till ett annat batteripaket.
- b) **Använd elverktyg bara tillsammans med det särskilt konstruerade batteripaketet.** Användning av andra batteripaket kan medföra en risk för personsador och brand.
- c) **När batteripaketet inte används ska det hållas borta från metallföremål som gem, mynt, nycklar, skruvar och andra små metallföremål som kan skapa kontakt mellan batteripaketets poler och kortsluta det.** En kortslutning kan orsaka brännskador och brand.
- d) **Under olyckliga omständigheter kan vätska komma ur batteriet. Undvik kontakt. Om den kommer i kontakt med huden, skölj med vatten.** Om den kommer i kontakt med ögonen, skölj rikligt med vatten och sök läkarhjälp. Vätska som kommer ut ur batteriet kan orsaka irritation eller brännskador.
6. **UNDERHÅLL**
- a) **Låt ditt elverktyg underhållas av en kvalificerad reparatör som bara använder äkta reservdelar.** Det kommer att garantera att elverktygets säkerhet bibehålls.

VARNINGSANVISNINGAR FÖR KEDJESÅGAR:

1. **När sågen är igång håll kroppen på tryggande avstånd från sågkedjan. Kontrollera innan sågen startas att sågkedjan går fritt.** Under arbete med en kedjesåg kan en kort oaksamhet leda till att kläder eller kroppsdelar råkar in i sågkedjan.
2. **Håll i kedjesågen med högra handen på bakre handtaget och med vänstra handen på framer handtaget.** Om kedjesågen hålls i ett annat arbetsläge ökar risken för kroppsskada och får därför inte användas.
3. **Håll verktyget med isolerade greppytor**

när du utför ett arbete där sågverket kan komma i kontakt med dolda sladdar eller sin egen sladd. Kommer man i kontakt med en strömförande sladd kommer det att leda in ström i verktygets metalldelar och ge användaren en elchock.

4. **Bär skyddsglasögon och hörselskydd. Vid rekommenderar ytterligare skyddsutrustning för huvud, händer, ben och fötter.** Lämplig skyddutrustning minskar risken för kroppsskada som kan orsakas av utkastat spånmaterial och oavsiktlig beröring av sågkedjan.
5. **Arbeta inte med kedjesågen uppklattrad i ett träd.** Risk för kroppsskada om kedjesågen används i ett träd.
6. **Se till att du står stadigt och använd kedjesågen endast när du står på ett fast, säkert och plant underlag.** Halt och instabilt underlag kan t.ex. vid användning av stege leda till att man förlorar balansen och kontrollen över kedjesågen.
7. **Räkna med att en gren som är under spänning vid sågning kan fjädra tillbaka.** När spänningen i träfibrerna avlastas kan grenen träffa användaren och/eller göra kedjesågen okontrollerbar.
8. **Var särskilt försiktig vid sågning av snårskog och unga träd.** Tunt material kan hänga upp sig i sågkedjan och slå dig eller få dig ur jämvikt.
9. **Bär kedjesågen i främre greppet med fränkopplad sågkedja och med bakåt riktat svärd. För transport och lagring av kedjesågen skall svärdskyddet sättas på.** En omsorgsfull hantering av kedjesågen reducerar risken för en oavsiktlig beröring med den roterande sågkedjan.
10. **Följ anvisningarna för smörjning, kedjespänning och tillbehörbyte.** En icke fackmässigt spänd eller smord sågkedja kan brista eller öka risken för bakslag.
11. **Håll handtagen torra, rena och fria från olja och fett.** Med fett eller olja nedsmorda handtag är hala och kan leda till att kontrollen förloras.
12. **Endast trävirke får sågas. Använd kedjesågen endast för de arbeten den är avsedd för – exempel: Kedjesågen får inte användas för sågning av plast, murverk eller byggmaterial som inte är i trä.** Om kedjesågen används för icke ändamålsenliga arbeten kan farliga situationer uppstå.

ORSAKER FÖR OCH ELIMINERING AV BAKSLAG:

Bakslag kan uppstå när svärdets nos berör ett föremål eller om virket böjer sig och sågkedjan kläms fast. En beröring med svärdsnosen kan ofta leda till en oväntad bakåtriktad reaktion varvid svärdet slår uppåt och mot användaren. Om sågkedjan kommer i kläm på styrskenans över kant

kan svärdet slå bakåt mot användaren. Alla dessa reaktioner kan leda till att du förlorar kontrollen över sågen och i värsta fall skadas. Lita inte uteslutande på den säkerhetsutrustning som finns monterad på kedjesågen. När du använder kedjesågen bör du själv vidta vissa åtgärder för att kunna arbeta utan olyckor och skador.

Bakslag uppstår till följd av missbruk eller felaktig hantering av elverktyget. Detta kan undvikas genom skyddsåtgärder som beskrivs nedan:

- **Håll i sågen med båda händerna varvid tummen och fingrarna skall omsluta kedjesågens handtag.** Håll kroppen och armarna i ett läge som är lämpligt för att motstå bakslagskrafter. Om lämpliga åtgärder vidtagits kan användaren behärska bakslagskrafterna. Släpp aldrig greppet om kedjesågen.
- **Undvik en onormal kroppsställning och såga inte över skulderhöjd.** Härvid undviks en oavsiktlig beröring med svärdsnosen och möjliggör en bättre kontroll över kedjesågen i oväntade situationer.
- **Använd alltid de reservsvärd och sågkedjor som tillverkaren föreskrivit.** Andra reservsvärd och sågkedjor kan leda till att kedjan bryter eller till bakslag.
- **Följ tillverkarens anvisningar för skärpning och underhåll av sågkedjan.** För låg djupgångsbegränsning ökar risken för bakslag.

RESIDUALA RISKER

Även om redskapet endast används för avsett bruk kvarstår alltid en residual risk som inte kan förebyggas. Redskapets typ och konstruktion medför att följande potentiella faror kan föreligga:

- Kontakt med sågkedjans blottade sågtänder (skärningsrisk)
- Tillgång till den roterande sågkedjan (skärningsrisk)
- Oförutsägbar, plötslig rörelse från ledningsstängan (skärningsrisk)
- Delar som kastas ut från sågkedjan (skärnings-/injektionsrisk)
- Delar som kastas ut från arbetsdelen
- Hudkontakt med oljan
- Hörsselförlust om inte nödvändigt hörselskydd används under arbetet

SÄKERHETSVARNINGAR FÖR KEDJESÅG MED FÖRLÄNGNINGSSKAFT

1. Använd inte maskinen om du är trött, sjuk eller påverkad av alkohol eller andra droger.
2. För att minska olycksrisken, se till att inga obehöriga finns i arbetsområdet när maskinen används.
3. Var uppmärksam på faran med arbetslägen, liksom risken för att träffas av fallande grenar eller grenar

som fallit till marken. Risken finns även för att du kan snubbla över fallna grenar om dessa inte tas bort.

4. Stå stadigt med god balans under arbetet. Använd det medföljande skyddet.
5. Håll maskinen på avstånd från luftburna elledning.

SÄKERHETS-FÖRESKRIFTER FÖR BATTERIET

- a) **Ta inte isär batteriet, öppna inte heller batteriet eller sära på battericeller.**
- b) **Kortslut inte batteriet. Förvara inte batteriet på ett slarvigt sätt i en låda där det kan kortslutas eller skadas av ledande material.** När batteriet inte används, håll det borta från metallobjekt, såsom pappersgem, pengar, nycklar, naglar, skruvar eller andra små metallobjekt som kan leda ström från en terminal till en annan. Om batteriterminalerna kortsluter varandra kan de förorsaka brandrisk.
- c) **Exponera inte batteriet för eld eller värme. Undvik förvaring i direkt solljus.**
- d) **Utsätt inte batteriet för mekanisk chock.**
- e) **Om batteriet läcker, låt inte vätskan komma i kontakt med hud eller ögon. Om så ändå skulle hända, skölj med mycket vatten och sök läkarhjälp.**
- f) **Sök omedelbar läkarhjälp om någon har svält en battericell eller batteriet.**
- g) **Håll batteriet rent och torrt.**
- h) **Torka av batteriet om det blir smutsigt med en torr, ren trasa.**
- i) **Batteriet måste laddas före användning. Använd den här bruksanvisningen för att ladda batteriet korrekt.**
- j) **Låt inte batteriet stå på laddning när det inte används.**
- k) **Efter lång tids användning kan det bli nödvändigt att ladda och ladda ur batteriet många gånger för att nå maximal prestanda.**
- l) **Batterier fungerar bäst när de används vid normal rumstemperatur (20°C ± 5°C).**
- m) **När du kasserar batteriet, se till att hålla batterier med olika elektrokemiska system ifrån varandra.**
- n) **Ladda endast med laddare av varumärket WORX. Använd ingen annan laddare än den som specifikt ska användas med det här batteriet.** En laddare som passar för en viss typ av batteri kan förorsaka brandrisk vid användning tillsammans med ett annat batteri.
- o) **Använd inte ett batteri som inte är avsett för användning med det här verktyget.**
- p) **Håll batteriet borta från barn.**
- q) **Behåll den ursprungliga bruksanvisningen för framtida användning.**
- r) **Plocka ur batteriet från verktyget då det inte används.**
- s) **Kassera batteriet på rätt sätt.**

SPARA DESSA INSTRUKTIONER

Instruktioner gällande rätt teknik för grundläggande fällning, kvistning och kapning

1. Fällning av träd

Om två eller flera personer arbetar inom samma område ska avståndet mellan personerna vara minst dubbelt så långt som trädet. Vid fällning av träd bör man se till att andra personer inte utsätts för risker, att distributionsledningar inte skadas och att inga saksador uppstår. Om ett träd råkar beröra en distributionsledning ska energiverket underrättas omedelbart.

Vid sågning på slutning ska kedjesågens användare stå ovanför det träd som fälls, eftersom det fällda trädet troligen kommer att rulla eller slira nedför slutningen. Flyktvägen bör gå bakåt och diagonalt relativt den bakre delen av den förväntade fallriktningen, så som visas på bild 1.

Före fällning bör hänsyn tas till trädets naturliga lutning, grenarnas lägen och vindriktningen för att kunna bedöma trädets fallriktning.

Ta bort smuts, stenar, lös bark, spikar och ståltrådar från trädet.

2. Riktskär

Gör skåran till 1/3 djup av trädets diameter, vinkelrätt mot fallriktningen, så som visas på bild 1. Såga först det undre vågräta riktskåret (W). Härvid undviks inklämning av sågkedjan eller styrskena vid sågning av övre riktskär (X).

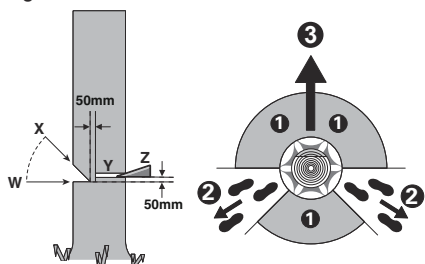
3. Fällskär

Gör fällskåret minst 50 mm högre än det horisontella riktskåret (Y), så som visas på bild 1. Fällskåret bör vara parallellt med riktskåret. Gör fällskåret endast så djupt att en brytmån blir kvar (brytlist) som fungerar som ett gångjärn. Brytmånen hindrar trädet från att vrida sig och falla i fel riktning. Såga inte av brytmånen.

När fällskåret närmar sig brytmånen bör trädet börja falla. Om det visar sig att trädet inte kommer att falla i önskad riktning eller det lutar bakåt och eventuellt klämmer fast sågkedjan, ska sågningen avbrytas och skåret öppnas med hjälp av kilar i trä, plast eller aluminium (Z), så att trädet faller i önskad riktning (3).

När trädet börjar falla, ska kedjesågen tas ur skåret, fränkopplas och läggas bort samt den som sågat ska lämna riskområdet via planerad reträttväg (2). Se till att du inte snavar över grenar och kvistar som fallit ned. (Se figur 1)

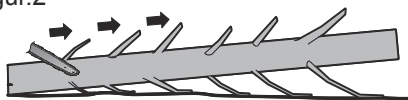
Figur.1



4. Kvistning

Vid kvistning kapas kvistarna på fällt träd. Kapa sist större kvistar som är riktade nedåt och som stöder trädet. Ta bort de små kvistarna i en och samma sågning, så som visas på bild 2. Kvistar som står under spänning ska kapas underifrån uppåt för att undvika att sågen kläms fast.

Figur.2

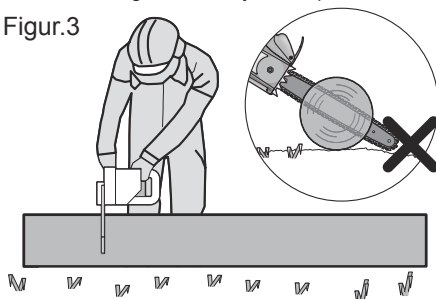


5. Kapning av trädstam

Vid kapning sågas fällt träd i bitar. Se till att du står stadigt och fördelar kroppsvikten lika på båda fötterna. Om möjligt ska stammen stödas med kvistar, balkar eller kilar. Följ de enkla anvisningarna för lätt sågning.

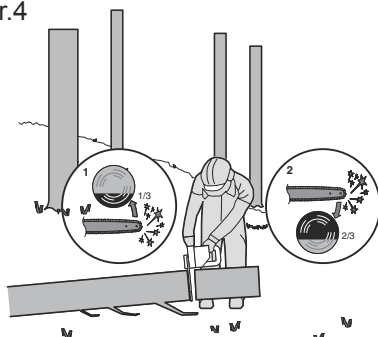
När stocken stöttas längs med hela längden, så som visas på bild 3, sågas den från ovasidan (kapning från ovasidan), undvika kontakt med marken eftersom detta kommer att kraftigt minska kedjans skärpa.

Figur.3



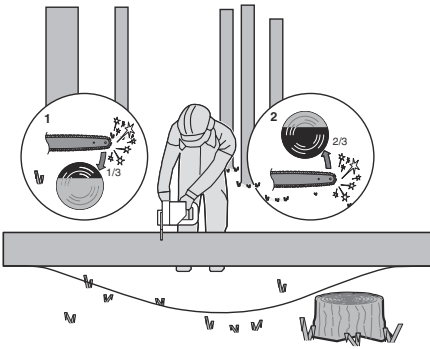
När stocken stöttas i ena änden, så som visas på bild 4, såga in 1/3 diameter från undersidan (kapning från undersidan) (1). Avsluta med att kapa från ovasidan för att möta det första snittet (2).

Figur.4



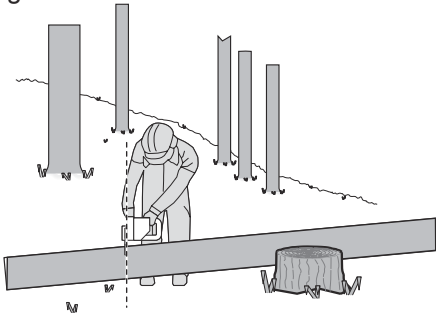
När stocken stöttas i båda ändarna, så som visas på bild 5, såga 1/3 diameter från ovasidan (kapning från ovasidan) (1). Gör sen den avslutande kapningen genom kapning från undersidan, från de undre 2/3 (2), för att möta den första sågningen.

Figur.5



kapning i en sluttning, stå alltid på den högsta sidan om stocken, så som visas på bild 6. För att vid "genomsågningsmomentet" bibehålla full kontroll över sågen, reducera mottrycket vid slutet av kapningen utan att lossa det stadiga greppet om kedjesågens handtag. Se till att sågkedjan inte berör marken. När snittet är färdigt vänta tills sågkedjan stannat innan du tar bort kedjesågen ur skäret. Koppla från kedjesågens motor innan du går till nästa träd.

Figur.6



SYMBOLER

	För att minska risken för skador måste användaren läsa bruksanvisningen.
	WARNING

	Använd hörselskydd
	Använd skyddsglasögon
	Använd skyddsmask mot damm
	Skydda mot regn.
	Använd huvudskydd
	Använd skyddshandskar
	Använd skyddsskor
	Riskvarning för luftburna elledningar.
	Uttjänta elektriska produkter får inte kasseras som hushållsavfall. Återanvänd där det finns anläggningar för det. Kontakta dina lokala myndigheter eller återförsäljare för återvinningsråd.
	Kasta inte förbrukade batterier. Återlämna förbrukade batterier till din lokala batteriinsamling eller återvinningsstation.
	Får ej brännas



Utsätt inte för regn eller vatten



Kontakt med styrtippskenan med något föremål bör undvikas.



Tippkontakt kan göra att styrskenan flyttar sig plötsligt uppåt och bakåt vilket kan orsaka allvarliga skador på användaren.



Använd alltid två händer vid arbete med kedjesågen.



xINR18/65-y: Cylindriska litiumjonbattericeller med max diameter på 18 mm och max höjd på 65 mm; "x" representerar ett antal seriekopplade celler, tomt om 1. "-y" Representerar ett antal parallellt anslutna celler, tomt om 1.


KOMPONENTER

1. BAKRE HANDTAG
2. STRÖMSTÄLLARE TILL/FRÅN
3. OLJETANKLOCK
4. FRÄMRE HANDTAG
5. HANDSKYDD
6. SVÄRD
7. SÅGKEDJA
8. KEDJESPÄNNKNAPP
9. KEDJESKYDD
10. BATTERIPAKET *
11. BATTERIPAKETETS LÅSNING *
12. BAKRE HANDVAKTEN
13. STABILISERINGSTAGGAR
14. OLJENIVÅFÖNSTER
15. INKOPPLINGSSPÄRR
16. KEDJEHJUL
17. KEDJERIKTNINGSSYMBOL
18. OLJEMUNSTYCKE
19. KLÄMMA
20. FASTSÄTTNINGSHÅL FÖR SVÄRDET
21. LOKALISERINGSFLIKAR
22. SVÄRD- OCH KEDJEFÖRVARING/TRANSPORTSKYDD*(SLIDA)
23. SPÄNNPLATTA (SE FIGUR A)
24. HANDTAG TILL FÖRLÄNGNINGSSTÅNG*
25. LÅSKNAPP*
26. SPÄNNARM*
27. INRE STÅNG*
28. LÅSKNAPP*
29. ANSLUTNINGSFÄSTE TILL FÖRLÄNGNINGSSTÅNG*
30. LÅSKNAPP PÅ FÖRLÄNGNINGSSTÅNGENS HANDTAG*
31. AV/PÅ-KNAPP PÅ FÖRLÄNGNINGSSTÅNGENS HANDTAG*
32. AXELREM*

* I bruksanvisningen avbildat och beskrivet tillbehör ingår inte alltid i leveransen.

TEKNISK INFORMATION

Typ **WG322E WG322E.9 WG323E WG323E.9** (3- beteckning för maskinutrustning, representerar motorsåg och polsåg)

	WG322E	WG322E.9	WG323E	WG323E.9
Spänning	20V  Max**			
Svärdlängd	25cm			
Kedje hastighet	3.8m/s			
Oljebehållarens volym	130ml			
Kedjedelning	3/8"			
Antal drivlänkar	40			
Kedjemått	0.043"			
Adaptiv kedjetyp	ES: 3/8.043-40E/ QIRUI : A0(T)-40E/ OREGON: 90PX040G			
Adaptiv stång typ	ES: ES104SDEA041/ QIRUI : PO10-43SR(T) / OREGON: 104MLEA041			
Laddningstid	5hrs			
Maskinens vikt (kedja och skena inkluderad)	2.8kg	2.4kg	4.6kg	4.2kg

** Spänning mäts utan arbetsbelastning. Initial batterispänning när maximalt 20 volt. Nominell spänning är 18 volt.

TILLBEHÖR:

206

	WG322E	WG322E.9	WG323E	WG323E.9
Sågkedja	1	1	1	1
Svärd	1	1	1	1
Transportskydd	1	1	1	1
Förlängningsskaft (WA0166)	/	/	1	1
Laddare (WA3760)	1	/	1	/
Batteripaket (WA3551)	1	/	1	/
Axelrem	/	/	1	1

Vi rekommenderar att du köper dina tillbehör från samma återförsäljare som du köpte produkten från. Läs på tillbehörens förpackning för mera information. Din återförsäljare kan också hjälpa dig och ge dig råd.

BULLERINFORMATION

	WG322E WG322E.9	WG323E WG323E.9
Ett uppmätt ljudtryck	$L_{pA} = 87,9 \text{ dB(A)}$	$L_{pA} = 85,7 \text{ dB(A)}$
En uppmätt ljudstyrka	$L_{WA} = 96 \text{ dB(A)}$	$L_{WA} = 96 \text{ dB(A)}$
$K_{pA} = 3,0 \text{ dB(A)}$		

Använd hörselskydd.



VIBRATIONSINFORMATION

Vibration totalvärde (triaxvektor-summa) fastställt i enlighet med EN 60745:

Typisk uppmätt vibrering $a_v < 2,5 \text{ m/s}^2$	Osäkerhet $K = 1,5 \text{ m/s}^2$
--	-----------------------------------

Det angivna totala vibrationsvärdet kan användas för att jämföra olika verktyg med varandra samt vid en preliminär exponeringsutvärdering.

! VARNING: Vibrationsvärde vid verklig användning av maskinverktyget kan skilja sig åt från det deklarerade värdet beroende på hur verktyget används och beroende på följande exempel och andra variationer om hur verktyget används:

Hur verktyget används och materialet som skärs eller borras.

Verktyget är i bra skick och bra underhållet.

Användning av korrekt tillbehör för verktyget och säkerställ att de är skarpa och i bra skick.

Åtdragningsgraden av greppet på handtaget och om några antivibrationsstillbehör används.

Och att verktyget används såsom avsett enligt dess konstruktion och dessa instruktioner.

Detta verktyg kan orsaka hand-arm vibrationsyndrom om det används på felaktigt sätt.

! VARNING: För att vara korrekt bör en beräkning av exponeringsnivån under verkliga förhållanden vid användning också tas med för alla delar av hanteringscykeln såsom tiden när verktyget är avstängt och när det körs på tomgång utan att utföra något arbete. Detta kan betydligt minska exponeringsnivån över den totala arbetsperioden.

Hjälp för att minimera risken för vibrationsexponering.

Använd ALLTID skarpa mejslar, borror och blad.

Underhåll verktyget i enlighet med dessa instruktioner och håll det välsmort (där så behövs)

Om verktyget ska användas regelbundet, investera i

antivibrationsstillbehör.

Planera ditt arbetsschema för att sprida ut användning av kraftigt vibrerande verktyg över flera dagar.

ÄNDAMÅLSENLIG ANVÄNDNING

Kedjesågen är avsedd för fällning av träd samt kapning av stockar, kvistar, plank, brädor mm och kan användas för snitt längs och tvärs mot virkets fiberriktning. Sågen är inte lämplig för sågning av mineraliska material.

MONTERING

! VARNING! Sätt inte i batteripaketet innan det har monterats helt. När sågkedjan hanteras ska alltid skyddshandskar användas.

MONTERING AV SVÄRD OCH SÅGKEDJA

1. Packa försiktigt upp alla komponenter.
2. Placera motorsågen på ett stabilt, plant underlag.
3. Använd endast äkta WORX kedjor eller de som rekommenderas för svärdet.
4. Lägg in sågkedjan (7) i sväret som löper runt svärdet (6). Se till så att kedjan är i rätt rotationsriktning genom att jämföra den med kedjesymbolen på svärdet, eller hänvisa till kedjeriktningssymbolen (17) finns på sågens kropp. Se till att kedjespänningshaken (23) är riktad utåt (Se figur A)
5. Lägg kedjelänkarna kring kedjehjulet (16) och lägg upp svärdet (20) så att fästbulten (21) och svärdets båda styrnockor (19) griper in i de ovala hålen på svärdet (6) (Se figur B1, B2)
6. Kontrollera om alla delar sitter fast ordentligt. Kontrollera att drivlänkarna sitter ordentligt i drivhjul (Se figur C1), undvika veck såsom visas i fig. C2. Om veck sker, plocka upp kedjan från svärdet strax före vecket och dra ut vecket.

OBS: Kedjan bör rotera fritt och vara fri från veck.

7. Montera kopplingskåpan (9) och dra åt kedjeskyddet genom att vrida på kedjespännarskruvknappen (8) medurs tills den sitter fast. (Se figur D)

! VARNING: Kedjan är ännu inte spänd. Spänning av kedjan beskrivs under "Kedjespänning". Kedjan behöver nu inspekteras för att se till att den är ordentligt spänd.

SPÄNNING AV SÅGKEDJA (Se figur E1, E2)

OBS: Nya sågkedjor kommer att sträckas. Kontrollera kedjespänningen ofta första gången den används och dra åt när kedjan (7) blir löst runt svärdet (6).

! VARNING:

- **Ta ut batteriet ur verktyget innan du justerar sågkedjans spänning.**
- **Skären på kedjan är vassa. Använd skyddshandskar när kedjan hanteras.**
- **Se till att alltid ha korrekt kedjespänning. En lös kedja kan öka risken för rekyl. En**

lös kedja kan hoppa av styrskenans spår. Detta kan skada operatören och kedjan. En lös kedja gör att kedjan, kedjeskenan och tänderna slits mycket fortare.

1. Ställ upp kedjesågen på en plan yta.
2. Vrid kedjesträckarknoppen (8) medurs tills den spänd.

OBS: Spänningen ökas automatiskt medan Kedjespännarskraven (8) vrids medurs.

Spärrhakmekanismen förhindrar att kedjespänningen lossar.

3. Luta sågen framåt (Se figur E1) när svärdets (6) spets skjuts i en riktning uppåt. Detta tar bort slack från kedjan.
4. Dra åt sågkedjesträckarskraven (8) genom att vrida den medurs.
5. Dubbelkolla spänningen som ställts in med knappen för automatisk kedjespänning. Rätt kedjespänning nås när Kedjan (7) kan höjas ungefär lika mycket som halva drivlänksdjupet från Styrstaven (6) i mitten. Detta ska göras med endast en hand för att höja kedjan mot maskinens vikt. (Se figur E2).

OBS: Kedjan (7) har rätt spänning när den kan lyftas från Styrstaven (6) och när drivlänken är innanför Styrstavens skena (6).

OBS: Kedjan (7) kommer att sträckas vid sågning och förlora korrekt spänning. När kedjan lossnar helt, skruva åt sågkedjesträckarskraven (8) eller vrid runt vredet tre hela varv i moturs riktning, dra sedan åt sågkedjesträckarskraven (8) för att återställa den korrekta kedjespänningen genom att upprepa steg 1-4 som anges ovan.

MONTERA FÖRLÄNGNINGSSKAFTET (endast för WG323E, WG323E.9)

Rikta och för in förlängningstångens handtag i stängens. Rotera låsknappen medurs för att låsa. (Se figur F1, F2)

OBS: kontrollera att skaftet är fastlåst.

MONTERING AV FÖRLÄNGNINGSTÅNGEN I MASKINEN (Se figur G1)

Steg 1: Rikta och för in stängens fästanelordning (29) i sågen.

Steg 2: Vrid låsknappen (28) moturs för att dra åt förlängningstången i maskinen.

OBS: kontrollera att förlängningstången är fastlåst innan sågen används.

BORTTAG AV FÖRLÄNGNINGSTÅNGEN (Se figur G2)

Steg 1: Vrid låsknappen moturs för att lossa och dra ut den.

Steg 2: Skjut på sågen för att koppla från förlängningstången.



VARNING!

När denna maskin används med förlängningstången, kontrollera att batteripaketet har tagits bort.

Justering av stängens längd

Stängsågen har en teleskopstång som kan förlängas från 2 meter (hopfäld) till 2,7 meter (helt utfäld)

Spännarmen används för att hålla stängens på rätt

position oavsett längd.

1. För att förlänga stängens, lossa på fästarmen enligt figur H. Stängens kan då tas ut lätt.
2. Dra ut den inre delen av stängens till rätt längd. OBS: förläng endast stängens till den minsta längd som krävs för att nå det som ska sågas.
3. För att låsa stängens i rätt position, dra åt fästarmen enligt figur H.

KEDJESMÖRJNING



VIKTIGT: Kedjesågen levereras utan sågkedjeolja. Kom ihåg att fylla på olja innan sågen tas i bruk. Används

kedjesågen utan sågkedjeolja eller med en oljenivå som ligger under min-markeringen finns risk för att kedjesågen skadas.

OBS: Kedjans livslängd och snitteffekt är beroende av att den smörjs optimalt. Därför smörjs sågkedjan under drift automatiskt med sågkedjeolja .

PÅFYLLNING AV OLJETANK:



VARNING: Ta bort batteripaketet innan oljetanken fylls upp.

1. Lägg upp kedjesågen med oljetanklocket uppåt på ett lämpligt underlag (3).
2. Rengör partiet kring oljetanklocket med en trasa och skruva sedan bort locket.
3. Tillsätt kedjeolja tills behållaren är full.
4. Se till att smuts inte tränger in i oljetanken, montera oljepåfyllningslocket (3) och dra åt genom att med handkraft vrida medurs.



VIKTIGT: För luftutbyte mellan oljetanken och omgivningen har små kompensationskanaler tagits upp på oljetankslocket. För att undvika att olja rinner ut, bör man se till att sågen efter användning läggs i vågrätt läge (oljetankslocket (3) ska vara riktat uppåt).

Använd uteslutande rekommenderad, biologiskt nedbrytbar smörjolja för att undvika skada på kedjesågen (Grade: ISO VG32). Denna kan hittas på den plats där du köpt den här sågen eller i din lokala järnaffär. Använd aldrig återvunnen olja eller spillolja. Om icke godkänd olja används, lämnas ingen garanti.

Får inte sväljas. Kontakta läkare omedelbart om du råkar svälja produkten. Förvaras oåtkomligt för barn. Får inte förvaras i närheten av hetta eller öppna lågor.

KONTROLL AV OLJEAUTOMATIK

Den automatiska kedjesmörjningens funktion kan enklast kontrolleras genom att starta sågen och sedan hålla sågnosen (6) mot ett papp eller papper på marken. Om oljespåret tilltar fungerar oljeadomatiken felfritt. Om olja inte matas ut även om oljetanken är full, slå upp under "Felsökning" eller uppsök WORX-serviceverkstad.



OBS! Berör inte marken med sågkedjan, håll ett säkerhetsavstånd på 30 cm.

DRIFT INSTRUKTIONER

1. INNAN DU ANVÄNDER DITT TRÅDLÖSA

VERKTYG



VARNING: Laddaren och batteripaketet är särskilt konstruerade för att fungera tillsammans. Använd inget annat batteripaket eller någon annan laddare. Se till att inga metallföremål kommer in i laddaren eller batteripaketet. Det kan orsaka elektriska fel som kan medföra fara.

OBS: Ditt batteripaket är OLADDAT och du måste ladda det en gång innan användning.

Den medföljande batteriladdaren matchar det litiumjonbatteri som sitter i enheten. Använd ingen annan batteriladdare.

2. LADDNING AV BATTERIPAKETET

Litiumjonbatteriet har skydd mot djup urladdning. När batteriet är tomt stängs enheten av med hjälp av en skyddskrets

I en varm miljö eller efter massiv användning, kan batteripaketet bli alltför varmt för att kunna laddas. Låt batteriet svalna före laddning.

3. TA BORT ELLER SÄTTA I BATTERIPAKETET (se figur G)

Tryck på batteripaketets spärrhake och ta bort batteriet från ditt verktyg. När batteripaketet har laddats sätts det tillbaka i bormaskinens batterifack. Det glider lätt in och kräver bara ett lätt tryck på slutet. Kontrollera att batteriet är helt fastsatt.

OBS: När batteripaketet tas bort, håll fast det för att undvika skador och att det tappas.

4. IN- OCH URKOPPLING (SE FIGUR I)

OBS: Kontrollera batteripaketet innan du använder det sladdlösa verktyget. Använd endast det batteripaket som finns i tillbehörsavsnittet.



För start av sågen tryck in inkopplingsspärren (15), tryck sedan ned strömställaren Till/Från (2) och hall den i detta läge. Inkopplingsspärren kan nu släppas.

För fränkoppling släpp strömställaren Till/Från.

5. SKÅRANDE



VIKTIGT: Kontrollera oljenivån i synglaset (14) innan arbetet påbörjas och regelbundet under arbetets gång. (Se figur K1) Fyll på olja när oljenivån sjunkit till synglasets undre kant. Full tank räcker för ca. 12 minuter sågning, men är givetvis beroende av pauser och arbetets intensitet. Kontrollera kedjespänningen under arbetet i intervaller om 10 minuter.

- 1) Montera batteriet i maskinen.
- 2) Se till att den del som ska sågas av inte ligger på marken. Detta förhindrar kedjan (7) att vidröra marken när den skär genom arbetsstycket. Det är farligt att vidröra marken medan kedjan är i rörelse, och det kommer dessutom att göra kedjan slö.
- 3) Använd båda händerna för att ta tag i sågen. Använd alltid vänster hand för att ta tag i det främre handtaget

- (4) och höger hand för att ta tag i det bakre handtaget (1). Använd ett fast grepp. Se till att fingrarna håller ett fast grepp runt sågens handtag (Se figur K2).
- 4) Se till att du står stadigt. Håll fötterna axelbrett. Fördela din vikt jämnt på båda fötterna.
- 5) När du är redo att göra ett snitt, tryck in låsknappen (15) helt med höger tumme och krama avtryckaren. Då slås sågen på. Släpp avtryckaren så stängs sågen av. Se till att sågen är igång för fullt innan du börjar med sågningen.
- 6) När du startar ett snitt, placera sakta den rörliga kedjan mot träet. Träet ska vara så nära sågkroppen som möjligt. Håll sågen stadigt på plats för att undvika eventuellt studsande eller slirande (sidledes rörelse) av sågen.
- 7) Styr sågen med hjälp av ett lätt tryck och applicera inteonödig kraft på sågen, låt sågen göra sitt arbete. Motorn kan då överbelastas och brännas ut. Sågen gör arbetet bättre och säkrare vid den hastighet för vilken den konstruerades.
- 8) Borttagning av sågen från ett snitt när sågen är igång med full fart. Stoppa sågen genom att släppa På/av-knappen (2). Se till att kedjan har stannat innan du sätter ned sågen.
- 9) Fortsätt att öva på skrotstockar på en säker del av arbetsplatsen tills du är bekväm, med hjälp av en flytande rörelse och en stabil skärhastighet.

Kast-säkerhetsanordningar på denna såg

Denna såg har en lå- och gåra-kedja och svärd för minskat kast. Båda dessa minskar risken för kast. Däremot kan kast ändå uppstå med denna såg.

Följande steg kommer att minska risken för kast.

- Använd båda händerna för att greppa sågen när sågen är igång. Använd ett fast grepp. Se till att fingrarna håller ett fast grepp runt sågens handtag.
- Behåll alla säkerhetsanordningar på plats på sågen. Se till att de fungerar korrekt.
- Luta dig inte för långt eller såga ovanför axelhöjd.
- Bibehåll alltid ordentligt fotfäste och balans.
- Stå lite till vänster om sågen. Detta hindrar kroppen från att vara i direkt linje med kedjan.
- Låt inte svärdsnosen röra någonting när kedjan är i rörelse.
- Försök aldrig att skära genom två arbetsstycken på samma gång. Kapa bara ett arbetsstycke i taget.
- Borra inte in svärdsnosen eller prova instick (borring) i trä med hjälp av svärdsnosen).
- Se upp för växling av trä eller andra krafter som kan nypa tag i kedjan.
- Var ytterst försiktig när du är återgård till ett tidigare snitt.
- Använd endast lågkast-kedjan och svärdet (6) som medföljde denna motorsåg.
- Använd aldrig en slö eller lös kedja. Håll kedjan spänd med rätt spänning.


Hur du använder sågen säkert

1. Se till att du under sågning står stadigt.
2. Håll kedjesågen något till höger om kroppen. (Se figur L).
3. Kedjan (7) måste rotera med full hastighet innan den läggs an mot virket.

4. Använd stabiliseringstaggar (13) för att säkra sågen i virket innan du börjar skära.
5. Använd stabiliseringstaggar som en hävstångspunkt samtidigt som du skär. (Se figur M)
6. Försök inte sträcka dig mot svåråtkomliga ställen och saga aldrig upplåtråd på en stege. (Se figur. N).

Använd aldrig motorsågen över axelhöjd.

SÅGNING AV VIRKE UNDER SPÄNNING (Se figur O)

 **VARNING: När du kapar ett arbetsstycke som är under spänning, var extremt försiktig. Var uppmärksam på trä som snapper tillbaka. När tråspänningen släpper kan arbetsstycket studsas tillbaka och slå till operatören vilket kan orsaka allvarlig skada eller dödsfall.**

Stöds virket på båda sidorna, såga först uppifrån (Y) (kapning från ovasidan) en tredjedel av stammens diameter och kapa därefter från undre sidan (Z) på samma ställe för att hindra att virket splittras och sågen kommer i kläm. Undvik att beröra marken med sågkedjan. Stöds virket endast på den ena sidan, såga först från under sidan (Y) (kapning från undersidan) en tredjedel av stammens diameter uppåt och kapa sedan stammen från övre sidan (Z) på samma ställe för att hindra att virket splittras och sågen kommer i kläm.


ANVÄNDNING AV STÅNGSÅGEN (ENDAST FÖR WG323E, WG323E.9)

Arbete med axelrem (Se figur P1)

Förlängningsskaffet är utrustat med en axelrem som ger extra stöd vid arbete med Motorsåg i luften. Haka fast axelremmen på förlängningsskaffet och vira det runt din axel. Axelremmen kan även dämpa stötar om Motorsåg tappas efter att ett kaparbete är genomfört.

Sågning med förlängningsstången

1. Montera batteriet i maskinen.
2. Innan du skär höga grenar, ta hänsyn till alla punkter som redovisas i föregående avsnitt, "Kvistning" men ta särskilt hänsyn till den sannolika fallvägen för den fallande grenen.

 **VARNING: Stå inte direkt under en gren som sågas. Håll obehöriga på avstånd. Stå inte på en stege eller annan typ av instabilt stöd medan verktyget används. Använd inte verktyget i närheten av kablar, elektrisk ström eller telefontrådar. Håll ett avstånd på 3 meter från alla elledningar. (Se figur P2-P5)**

3. Använd båda händerna för att ta tag i sågen. Använd endast de markerade greppområdena när stängsågen används (Se figur P6). Använd ett fast grepp. Se till att fingrarna håller ett fast grepp runt sågens handtag.
4. Se till att du står stadigt. Håll fötterna axelbrett. Fördela din vikt jämnt på båda fötterna.
5. När du är redo att göra ett snitt, tryck in låsknappen (30) helt, tryck sedan på AV/PÅ-knappen (31) (Se figur P7). Då slås sågen på. Släpp avtryckaren så stängs sågen av. Se till att sågen är igång för fullt innan du börjar med sågningen.

6. När du startar ett snitt, placera sakta den rörliga kedjan mot träet. Håll sågen stadigt på plats för att undvika eventuellt studsande eller slirande (sidledes rörelse) av sågen.
7. Styr sågen med hjälp av ett lätt tryck och applicera inteenödig kraft på sågen. Motorn kan då överbelastas och brännas ut. Sågen gör arbetet bättre och säkrare vid den hastighet för vilken den konstruerades.
8. Borttagning av sågen från ett snitt när sågen är igång med full fart. Stoppa sågen genom att släppa På/av-knappen. Se till att kedjan har stannat innan du sätter ned sågen.

BESKÄRA TRÄD (KVISTRENSNING)

 **VARNING: Undvik rekyl eftersom det kan leda till svår skada eller dödsfall. Se avsnittet rekyl för att undvika risk**

för rekyl.

VARNING: använd inte stängsågen om du:

- är i ett träd
- står på en stege eller någon annan ostadig yta

• står i en besvärlig position

Du kan tappa kontrollen över stängsågen, vilket kan leda till svår skada.

 **VARNING: höj inte armarna ovanför axlarna medan du använder stängsågen.**

VARNING: uppsök professionell hjälp om du står inför förhållanden som är borta om din förmåga.

Trädbeskäring består av att ta bort kvistar från levande träd. Se till att du står stadigt. Håll fötterna axelbrett. Fördela din vikt jämnt på båda fötterna.

Följ instruktionerna nedan för hur man beskär träd.

1. Skär först bort 15cm från trädstammen på trädgrenens undersida. Använd styrskenanans ovasida för att skära. Skär bort en tredjedel av trädgrenens diameter (se figur P8).
2. Flytta 5 till 10cm längre ut på trädgrenen. Skär igen ovanför trädgrenen. Försätt skära tills trädgrenen är avsågad.
3. Gör det tredje snittet så nära trädstammen som möjligt på undersidan av trädgrenen. Använd den översta styrskenan för att såga. Skär igenom 1/3 av stubbens diameter.
4. Gör det fjärde snittet precis ovanför det tredje. Såga neråt så att snittet möter det tredje snittet. Detta kommer att ta bort trädgrensstubben.

SÅGUNDERHÅLL

Följ underhållsanvisningarna i den här handboken. Korrekt rengöring och underhåll av såg, kedja och svärd kan minska risken för kast. Inspektera och utför underhåll på sågen efter varje användning. Detta kommer att öka livslängden på din motorsåg.

OBS: Även med ordentlig slipning, kan risken för kast öka med varje slipning.

UNDERHÅLL OCH FÖRVARING AV MOTORSÅG

1. Ta bort batteriet från sågen

- När den inte används
- Innan du flyttar från en plats till en annan
- Innan service
- Innan du byter tillbehör eller tillsatser, såsom sågkedja och skyddsbygel.

2. Inspektera motorsågen före och efter varje användning. Kontrollera sågen noga om skyddet eller annan del har skadats. Kontrollera om det finns skador som kan påverka operatörens säkerhet eller drift av sågen.

Kontrollera justering eller bindning av rörliga delar. Kontrollera om det finns trasiga eller skadade delar. Använd inte motorsågen om skadan påverkar säkerhet eller funktion. Låt skador repareras av auktoriserad verkstad. För att hitta ett auktoriserat servicecenter, besök www.worx.com.

3. Underhåll motorsågen med omsorg.

- Utsätt aldrig sågen för regn eller direkt fukt.
- Håll kedjan skarp, ren och smord för bättre och säkrare resultat.
- Följ stegen i den här handboken för att slipa kedjan.
- Håll handtagen torra, rena, och fria från olja och fett.
- Dra åt alla skruvar och muttrar hårt.

4. Vid service, använd bara identiska reservdelar.

5. När den inte används, förvara alltid motorsågen

- På en hög eller låst plats utom räckhåll för barn
- På en torr plats
- Med svärd- och kedjeskyddet (9) på plats

Underhåll av svärd

För att maximera svärdets livslängd rekommenderas följande underhållsåtgärder:

Skenorna som bär kedjan bör rengöras innan du ställer undan verktyget eller om svärdet eller kedjan verkar vara smutsig.

Skenorna ska rengöras varje gång kedjan tas bort.

Rengöring av skenorna:

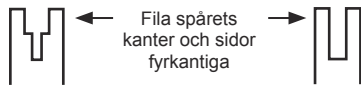
1. Ta bort kedjeskyddet samt svärd och kedja. (Se avsnitt MONTERING)
2. Använd en stålborste, skruvmejsel eller liknande lämpligt verktyg och rensa bort rester från spåren på svärdet. (Se figur Q)
3. Se till att rensa oljekanalerna ordentligt

Tillstånd som kräver underhåll av kedja (7) och svärd (6):

- Sågning av snitt till en sida eller i en vinkel.
 - Sågen måste tvingas genom snittet.
 - Otillräcklig försörjning av olja till svärd och kedja.
- Kontrollera skicket på svärdet varje gång kedjan slipas.

Ett slitet svärd skadar kedjan och gör kappningen svår. Efter varje användning, och med enheten bortkopplad från strömkällan, ta bort alla sågspån från svärdet och kuggjulshålet.

Om skenans ovansida är ojämn kan du använda en flatfil för att återställa raka kanter och sidor.



Slitna spår

Korrekt spår

Byt ut svärdet när spåret är utslitet, om svärdet är böjt eller sprucket, eller när överskottsvärme eller kraftiga hack uppstår i spåret. Om byte är nödvändigt, använd bara svärdet som anges för din såg i reservdelslistan eller på etiketten som sitter på motorsågen.

Byte/vändning av sågkedja och svärd

Byt ut sågkedjan när tänderna är för slitna för att slipa eller när kedjan går sönder. Använd bara reservkedja som anges i denna bruksanvisning.

Kontrollera svärdet innan du slipar kedjan. Ett slitet eller trasigt svärd är inte säkert och kommer att förstöra sågkedjan, vilket gör det svårare att såga.

Fäst sedan spänningshaken (23) i den nya skenan genom att dra åt skruvarna medurs. Hakens utskjutande del (a) måste inpassas i skenhålet. (Se figur R)

SKÄRPNING AV SÅGKEDJA

! VARNING: Ta bort batteriet från sågen innan service. Allvarliga skador eller dödsolyckor kan inträffa av elstötar eller kroppskontakt med den rörliga kedjan. Skåreggarna på kedjan är vassa. Använd skyddshandskar vid hantering av kedjan.

Håll kedjan vass. Din såg skär snabbare och säkrare. En slö kedja kommer att orsaka onödigt slitage på kedjehjul, svärd, kedja och motor. Om du måste tvinga kedjan i trä och kappningen endast genererar sågspån med några få stora flagor är kedjan slö.

SMÖRJ KEDJEHJULET

! VARNING: Bär kraftiga handskar när du utför underhåll eller service på detta verktyg

Ta alltid ut batteriet ur sågen innan du utför service eller underhåll på detta verktyg.

OBSERVERA: är inte nödvändigt att ta bort kedjan eller svärdet vid smörjning av kedjehjulet

1. Rengör svärd och kedjehjul.
2. Använd en fettspruta, sätt in spetsen på sprutan i smörjhålet och injicera fett tills det tränger ut på den yttre kanten av kedjehjulets spets. (Se figur S)
3. För att rotera kedjehjulet frigör kedjestoppet och dra i kedjan för hand tills den osmorda sidan av kedjehjulet är i linje med smörjhålet. Upprepa smörjprocessen.

MILJÖSKYDD



Uttjänta elektriska produkter får inte kasseras som hushållsavfall. Återanvänd där det finns anläggningar för det. Kontakta dina lokala myndigheter eller återförsäljare för återvinningsråd.

FELSÖKNING

Om elverktyget inte fungerar felfritt, läs felsymtomerna i tabellen nedan som hänvisar till möjliga orsaker och åtgärder för avhjälpan av fel. Om du inte med hjälp av anvisningarna lyckas lokalisera och åtgärda problemet, ta kontakt med din serviceverkstad. **Observera! Innan felsökning startas stäng av elverktyget och ta bort batteriet.**

Symptom	Möjliga orsaker	Åtgärd
Kedjesågen fungerar inte	Slut på batteri Säkring defekt	Ladda batteriet Byt ut säkringen
Kedjesågen arbetar intermitterent	Överhettning Applicerar för mycket tryck under sågning. Lös anslutning. Intern glappkontakt. Strömställaren defekt.	Placera maskinen på en sval, ventilerad plats för att kyla ner den. Applicera relativt mindre tryck under sågning. Uppsök serviceverkstad. Uppsök serviceverkstad. Uppsök serviceverkstad.
Sågedjan torr.	Ingen olja i oljetanken. Oljetanklockets ventilationshål tilltäppta. Oljeutloppskanalen tilltäppt.	Fyll på olja. Rengör oljetanklocket. Åtgärda oljeutloppskanalen.
Kedjan/styrskenan heta.	Ingen olja i oljetanken. Oljetanklockets ventilationshål tilltäppta. Oljeutloppskanalen tilltäppt. Kedjespänningen för hög. Kedjan är oskarp.	Fyll på olja. Rengör oljetanklocket. Åtgärda oljeutloppskanalen. Ställ in kedjespänningen. Efterslipa eller byt ut kedjan.
Kedjesågen rycker, vibrerar eller sågar ej korrekt.	Kedjespänningen för lös. Kedjan är oskarp. Kedjan försliten. Sågtänderna riktade åt fel håll.	Ställ in kedjespänningen. Efterslipa eller byt ut kedjan. Byt ut kedjan. Montera sågedjan på nytt med tänderna i rätt riktning.

212

DEKLARATION OM ÖVERENSSTÄMMELSE

VI,
Positec Germany GmbH
Grüner Weg 10, 50825 Cologne, Germany

Förklarar att denna produkt,
Beskrivning **Batteridrivna motorsåg och polsåg**
Typ **WG322E WG322E.9 WG323E WG323E.9**
(3 - beteckning för maskinutrustning,
representerar motorsåg och polsåg)
Funktion **Kapning av trä**

Uppfyller följande direktiv,
2006/42/EC **2014/30/EU**
2011/65/EU
2000/14/EC ändrad av **2005/88/EC**

Berört notifierat organ:
Namn: Intertek Deutschland GmbH (Berört notifierat organ 0905)
Adress: Stangenstraße 1, 70771 LEINFELDEN-ECHTERDINGEN
Certifiering nr: 17SHW1086-01 (WG322E WG322E.9) 17SHW1166-01 (WG323E WG323E.9)

WG322E WG322E.9
2000/14/EC ändrad av 2005/88/EC:
- Konformitetsutvärderingsprocedur enligt **Bilaga V**

- Uppmätt bullernivå **94,7 dB(A)**
- Deklarerad garanterad bullernivå **96 dB(A)**

WG323E WG323E.9
2000/14/EC ändrad av 2005/88/EC:
- Konformitetsutvärderingsprocedur enligt **Bilaga V**
- Uppmätt bullernivå **95,2 dB(A)**
- Deklarerad garanterad bullernivå **96 dB(A)**

Standarder överensstämmer med:
EN 60745-1 **EN 60745-2-13**
EN ISO 3744 **EN 55014-1**
EN 55014-2 **Delar av EN ISO11680-1**

Personen som godkänts att sammanställa den tekniska filen.

Namn: Marcel Filz
Adress: Positec Germany GmbH, Grüner Weg 10, 50825 Cologne, Germany



2018/03/09
Allen Ding
Vice chefsingenjör, tester och certifiering
Positec Technology (China) Co., Ltd.
18, Dongwang Road, Suzhou Industrial Park, Jiangsu 215123, P. R. China

Sladdlös motorsåg

SV

SPLOŠNA VARNOSTNA NAVODILA ZA ELEKTRIČNA ORODJA



OPOZORILO! Preberite vsa opozorila in napotila. Napake zaradi neupoštevanja spodaj

navedenih opozoril in napotil lahko povzročijo električni udar, požar in/ali težke telesne poškodbe.

Vsa opozorila in napotila shranite, ker jih boste v prihodnje še potrebovali.

Pojem „električna orodje“, ki se pojavlja v nadaljnjem besedilu, se nanaša na električna orodja z električnim pogonom (z električnim kablom) in na akumulatorska električna orodja (brez električnega kabla).

1. Varnost na delovnem mestu

- a) **Delovno področje naj bo vedno čisto in dobro osvetljeno.** Nered in neosvetljena delovna področja lahko povzročijo nezgode.
- b) **Ne uporabljajte električnega orodja v okolju, kjer lahko pride do eksplozij oziroma tam, kjer se nahajajo vnetljive tekočine, plini ali prah.** Električna orodja povzročajo iskrjenje, zaradi katerega se lahko prah ali para vnameta.
- c) **Prosimo, da med uporabo električnega orodja ne dovolite otrokom ali drugim osebam, da bi se Vam približali.** Odvracanje Vaše pozornosti drugim lahko povzroči izgubo kontrole nad napravo.

2. Električna varnost

- a) **Priključni vtičak električnega orodja se mora prilegati vtičnici. Spreminjanje vtičaka na kakršenkoli način ni dovoljeno. Pri ozemljenih električnih orodjih ne uporabljajte vtičakov z adapterji.** Nespremenjeni vtičaki in ustrezne vtičnice zmanjšujejo tveganje električnega udara.
- b) **Izogibajte se telesnemu stiku z ozemljenimi površinami kot so na primer cevi, grelci, štedilniki in hladilniki.** Tveganje električnega udara je večje, če je Vaše telo ozemljeno.
- c) **Prosimo, da napravo zavarujete pred dežjem ali vlago.** Vdor vode v električno orodje povečuje tveganje električnega udara.
- d) **Ne uporabljajte kabla za nošenje ali obešanje električnega orodja in ne vlecite za kabel, če želite vtičak izvleči iz vtičnice. Kabel zavarujte pred vročino, oljem, ostrimi robovi ali premikajočimi se deli naprave.** Poškodovani ali zapleteni kablji povečujejo tveganje električnega udara.
- e) **Kadar uporabljate električno orodje zunaj, uporabljajte samo kabselske podaljške, ki so primerni za delo na prostem.** Uporaba kabselskega podaljška, ki je primeren za delo na prostem, zmanjšuje tveganje električnega udara.
- f) **Če je uporaba električnega orodja v vlažnem okolju neizogibna, uporabljajte stikalo za zaščito pred kvarnim tokom.**

Uporaba zaščitnega stikala zmanjšuje tveganje električnega udara.

3. Osebna varnost

- a) **Bodite pozorni, pazite kaj delate ter se dela z električnim orodjem lotite z razumom. Ne uporabljajte električnega orodja, če ste utrujeni oziroma če ste pod vplivom mamil, alkohola ali zdravil.** Trenutek nepazljivosti med uporabo električnega orodja je lahko vzrok za resne telesne poškodbe.
 - b) **Uporabljajte osebno zaščitno opremo in vedno nosite zaščitna očala.** Nošenje osebne zaščitne opreme, na primer maske proti prahu, nedrsečih zaščitnih čevljev, varnostne čelade ali zaščitnih slušnikov, kar je odvisno od vrste in načina uporabe električnega orodja, zmanjšuje tveganje telesnih poškodb.
 - c) **Izogibajte se nenamernemu zagonu. Pred priključitvijo električnega orodja na električno omrežje in/ali na akumulator in pred dviganjem ali nošenjem se prepričajte, če je električno orodje izklopljeno.** Prenašanje naprave s prstom na stikalu ali priključitev vklopljenega električnega orodja na električno omrežje je lahko vzrok za nezgodo.
 - d) **Pred vklopljanjem električnega orodja odstranite nastavitvena orodja ali izvijače.** Orodje ali ključ, ki se nahaja v vrtečem se delu naprave, lahko povzroči telesne poškodbe.
 - e) **Izogibajte se nenormalni telesni drži. Poskrbite za trdno stojišče in za stalno ravnotežje.** Tako boste v nepričakovanih situacijah električno orodje lahko bolje nadzorovali.
 - f) **Nosite primerna oblačila. Ne nosite ohlapnih oblačil in nakita. Lase, oblačila in rokavice ne približujte premikajočim se delom naprave.** Premikajoči se deli naprave lahko zagrabijo ohlapno oblačilo, dolge lase ali nakit.
 - g) **Če je na napravo možno montirati priprave za odsesavanje ali prestrezanje prahu, se prepričajte, če so le-te priključene in če se pravilno uporabljajo.** Uporaba priprave za odsesavanje prahu zmanjšuje zdravstveno ogroženost zaradi prahu.
- ## 4. Skrbna uporaba in ravnanje z električnimi orodji
- a) **Ne preobremenjujte naprave. Pri delu uporabljajte električna orodja, ki so za to delo namenjena.** Z ustreznim električnim orodjem boste v navedenem zmogljivostnem področju delali bolje in varneje.
 - b) **Ne uporabljajte električnega orodja s pokvarjenim stikalom.** Električno orodje, ki se ne da več vklopiti ali izklopiti, je nevarno in ga je potrebno popraviti.
 - c) **Nad nadaljevanjem naprave, zamenjavo delov pribora ali odlaganjem naprave izvlecite vtičak iz električne vtičnice in/ali odstranite akumulator.** Ta previdnostni ukrep preprečuje nenamerni zagon električnega orodja.
 - d) **Električna orodja, katerih ne uporabljate,**

shranjujte izven dosega otrok. Osebam, ki naprave ne poznajo ali niso prebrale teh navodil za uporabo, naprave ne dovolite uporabljati. Električna orodja so nevarna, če jih uporabljajo neizkušene osebe.

- e) **Skrbno negujte električno orodje. Kontrolirajte brezhibno delovanje premičnih delov naprave, ki se ne smejo zatikati.** Če so ti deli zlomljeni ali poškodovani do te mere, da ovirajo delovanje električnega orodja, jih je potrebno pred uporabo naprave popraviti. Slabo vzdrževana električna orodja so vzrok za mnoge nezgode.
- f) **Rezalna orodja vzdržujte tako, da bodo vedno ostra in čista.** Skrbno negovana rezalna orodja z ostrimi robovi se manj zatikajo in so lažje vodljiva.
- g) **Električna orodja, pribor, vsadna orodja in podobno uporabljajte ustrezno tem navodilom.** Pri tem upoštevajte delovne pogoje in dejavnost, ki jo boste opravljali. Uporaba električnih orodij v namene, ki so drugačni od predpisanih, lahko privede do nevarnih situacij.
5. **Skrbno ravnanje in uporaba akumulatorskih orodij**
 - a) **Akumulatorske baterije polnite samo v polnilnikih, ki jih priporoča proizvajalec.** Polnilnik, ki je namenjen določeni vrsti akumulatorskih baterij, se lahko vname, če ga boste uporabljali skupaj z drugačnimi akumulatorskimi baterijami.
 - b) **V električnih orodjih uporabljajte le akumulatorske baterije, ki so zanje predvidene.** Uporaba drugih akumulatorskih baterij lahko povzroči telesne poškodbe ali požar.
 - c) **Akumulatorska baterija, katere ne uporabljate, ne sme priti v stik s pisarniškiimi sponkami, kovanci, žebliji, vijaki in drugimi manjšimi kovinskimi predmeti, ki bi lahko povzročili premostitev kontaktov.** Kratek stik med akumulatorskimi kontakti lahko ima za posledico opeklino ali požar.
 - d) **V primeru napačne uporabe lahko iz akumulatorske baterije izteče tekočina. Izgibajte se kontaktu z njo. Pri naključnem kontaktu s kožo spirajte z vodo.** Če pride tekočina v oko, dodatno poiščite tudi zdravniško pomoč. Iztekajoča akumulatorska tekočina lahko povzroči draženje kože ali opeklino.
6. **Servisiranje**
 - a) **Vaše električno orodje naj popravlja samo kvalificirano strokovno osebje ob obvezni uporabi originalnih rezervnih delov.** Tako bo zagotovljena ohranitev varnosti naprave.

VARNOSTNA OPOZORILA ZA VERIŽNE ŽAGE

1. **Poskrbite, da bodo med obratovanjem žage vsi deli telesa varno oddaljeni**

od verige žage. Pred zagonom žage se prepričajte, da se veriga žage ničesar ne dotika. Pri opravljenih z veržno žago lahko samo trenutek nepazljivosti vodi do tega, da se veriga žage zagradi v oblačila ali dele telesa.

2. **Verižno žago vedno držite z desno roko na zadnjem ročaju in z levo roko na sprednjem ročaju.** Držanje verižne žage v nasprotni drži poveča tveganje poškodb in je zato prepovedano.
3. **Električno orodje smete med delom držati le na izoliranih ročajih, saj lahko pride do dotika verige žage s skritimi napeljavami toka ali lastnim omrežnim kablom.** Stik rezalne verige z napeljavo, ki je pod napetostjo, lahko povzroči, da so posledično tudi kovinski deli orodja pod napetostjo in to vodi do električnega udara.
4. **Nosite zaščitna očala in zaščito sluha. Priporočamo tudi drugo zaščitno opremo za glavo, zgornji in spodnji del nog in rok.** Ustrezna zaščitna obleka zmanjša nevarnost poškodb zaradi odrezkov, ki letijo naokoli in naključnega dotika žagine verige.
5. **Z verižno žago ne delajte na drevesu.** Pri uporabi verižne žage na drevesu obstaja nevarnost poškodb.
6. **Vedno skrbite za trdno stojišče in uporabite verižno žago samo, ko stojite na trdni, varni in ravni podlogi.** Zdrsliiva podloga ali nestabilno stojišče, kot npr. na letvi, so lahko vzrok za izgubo ravnotežja ali izgubo nadzora nad verižno žago.
7. **Pri žaganju veje, ki je pod napetostjo, morate računati z elastičnostjo – veja udari nazaj.** Če se sprostijo napetosti lesnih vlaken, lahko napeta veja zadane uporabnika in/ali mu verižno žago iztrga iz rok, tako da izgubi nadzor nad njo.
8. **Bodite še posebej previdni pri žaganju podrastja in mladih dreves.** Tanek material se lahko zagozdi v rezalno verigo in vas tako udari ali pa vas spravi iz ravnotežja.
9. **Nosite verižno žago na sprednjem ročaju, ko je izklopljena in držite verigo žage stran od telesa. Pri transportiranju in pred shranjevanjem na verižno žago vedno namestite zaščitno prekrivalo.** Skrbno ravnanje z verižno žago zmanjša verjetnost, da bi se pomotoma dotaknili delujoče verige žage.
10. **Upoštevajte navodila za mazanje, napetost rezalne verige in menjavo pribora.** Nepravilno napeta ali namazana veriga se lahko ali pretрга ali poveča tveganje povratnega udarca.
11. **Poskrbite za to, da bodo ročaji suhi, čisti in brez olja ali masti.** Mastni, naoljeni ročaji so zdrsliivi in povzročijo izgubo nadzora.
12. **Žagajte izključno les. Verižne žage ne smete uporabljati za dela, za katero ni namenjena. Primer: Žage ne uporabljajte za žaganje plastike, zidovja ali gradbenih materialov, ki niso iz lesa.** Uporaba verižne žage za nenamenska dela lahko privede do nevarnih situacij.

VZROKI IN PREPREČEVANJE POVRATNEGA UDARCA:

Povratni udarec lahko nastopi, ko konica vodilne tirnice zadane ob predmet ali ko se les upogne in se veriga žage zatakne v rezu.

Dotik s konico tirnice lahko v nekaterih primerih privede do nenadne nazaj usmerjene reakcije, kjer vodilna tirnica udari navzgor in v smer uporabnika.

Zataknitev verige žage na zgornjem robu vodilne tirnice lahko tirnico s hitrim gibom udari nazaj v smer uporabnika.

Vsaka od teh reakcij lahko privede do tega, da izgubite nadzor nad verigo in se morebiti težko poškodujete. Ne zanesite se izključno samo na varnostne priprave, ki so vgrajene v verižno žago. Kot uporabnik verižne žage morate uvesti različne ukrepe, da bi lahko delali brez nesreč in poškodb.

Povratni udarec je posledica napačne ali pomanjkljive uporabe električnega orodja. To lahko preprečite s primernimi previdnostnimi ukrepi, kot je opisano v nadaljevanju:

- **Držite žago z obema rokama, pri čemer palec in prsti oklepajo ročaje verižne žage. Vaše telo in roke naj bodo v položaju, ko boste lahko vzdržali sile povratnega udarca.** Če so se uvedli previdni ukrepi, lahko uporabnik nadzoruje protitudarne sile. Verižne žage nikoli ne izpustite.
- **Preprečite nenormalno držo telesa in ne žagajte nad svojo plečno višino.** S tem preprečite nenamerni dotik s konico tirnice in omogočite boljši nadzor verižne žage v nepričakovanih situacijah.
- **Vselej uporabljajte le nadomestne tirnice in verige žage, ki jih je predpisal proizvajalec.** Napačne nadomestne tirnice in verige žage lahko povzročijo utrganje verige ali povratni udarec.
- **Upoštevajte navodila proizvajalca glede ostrenja in vzdrževanja verige žage.** Prenizki omejevalci globine povečajo možnost za povratni udarec.

PREOSTALA TVEGANJA

Čeprav napravo uporabljajte popolnoma skladno z navodili, vedno obstaja določeno tveganje, katerega ni možno preprečiti. Odvisno od vrste in zasnovane naprave, obstajajo naslednja tveganja, ki lahko privedejo do potencialne nevarnosti:

- Stik z izpostavljenimi zobmi žage ali rezalne verige (nevarnost ureznin),
- Stik z vrtečo se rezalno verigo (nevarnost ureznin),
- Nepredviden, nenaden premik verižne letve (nevarnost ureznin),
- Izmet delcev z rezalne verige (nevarnost ureznin/vbdov),
- Izmet delcev obdelovanca,
- Stik kože z motornim oljem,

- Poškodbe sluha, če med delom ne uporabljate ustrezne zaščite.

VARNOSTNA OPOZORILA ZA ČELJUSTNO VERIŽNO ŽAGO Z RAZTEGLJIVIM DROGOM.

1. Če ste utrujeni, pod vplivom alkohola ali drugih opojnih snovi, čeljustne verižne žage ne uporabljajte.
2. Za zmanjšanje tveganja, poskrbite, da bodo prisotni varno oddaljeni od delujoče naprave.
3. Zavedajte se tveganja pri uporabi naprave, tudi nevarnosti ukleščenja pod padajočo vejo, bodisi takšno, ki jo odžagate in vas uklešči od zgoraj, ali pa vejo, ki se po padcu odbije od tal. Veje obžagavajte po delih.
4. Med uporabo naprave ohranjajte stabilen položaj. Uporabite priloženo čelado.
5. Z napravo se nikoli ne približujte električnim kablom pod napetostjo.

VARNOSTNA OPOZORILA ZA AKUMULATOR

- a) **Ne razstavljajte, odpirajte ali odstranjujte celic akumulatorja.**
- b) **Pazite, da ne povzročite kratkega stika med kontaktoma akumulatorja. Akumulatorjev nikoli ne shranjujte v škatli ali predalu, kjer bi lahko prišlo do kratkega stika zaradi stika kontaktov s prevodnimi predmeti.** Kadar akumulator ni nameščen v orodju, ga hranite proč od drugih kovinskih predmetov, kot so sponke za papir, kovanci, ključji, žebelji, vijaki ali drugi drobni kovinski predmeti, ki bi lahko omogočili stik med kontaktoma. Če pride do stika med kontaktoma akumulatorja, to lahko povzroči požar.
- c) **Akumulatorja ne izpostavljajte vročini ali ognju. Poskrbite, da ne bo izpostavljen neposredni sončni svetlobi.**
- d) **Akumulatorja ne izpostavljajte mehanskim udarcem.**
- e) **Če opazite, da akumulator pušča, pazite, da tekočina ne bo prišla v stik z očmi. Če akumulatorska tekočina vseeno pride v stik z očmi, izperite prizadeto območje z obilo vode in poiščite zdravniško pomoč.**
- f) **Predvsem pa takoj poiščite medicinsko pomoč, če ste celico ali del akumulatorja zaužili.**
- g) **Akumulator shranjujte na čistem in suhem mestu.**
- h) **Če se akumulator zamaže, ga takoj očistite s čisto in suho krpo.**
- i) **Akumulator morate pred uporabo**

napolniti. Pri polnjenju akumulatorja vedno upoštevajte predpisana navodila in postopke.

- j) Če akumulatorja ne polnite, ga odstranite iz polnilca.**
- k) Po daljšem obdobju skladiščenja, boste za doseg maksimalne zmogljivosti akumulatorja verjetno morali slednjega nekajkrat napolniti in izprazniti.**
- l) Akumulator deluje najbolj učinkovito, če ga uporabljate pri običajni sobni temperaturi (20°C ± 5°C).**
- m) Pri odlaganju akumulatorja pazite, da boste akumulatorje, ki imajo različne elektrokemične sisteme zavrgli ločeno.**
- n) Za polnjenje uporabljajte le polnilce, ki jih je predpisal WORX. Nikoli ne uporabljajte polnilnikov, ki niso posebej namenjeni za polnjenje vašega akumulatorja. Polnilce, ki je lahko primeren za polnjenje ene vrste akumulatorjev, lahko pri drugi povzroči nevarnost požara.**
- o) Nikoli ne uporabljajte polnilcev, ki niso posebej zasnovani za polnjenje vašega akumulatorja.**
- p) Akumulatorje shranjujte izven doseg otrok.**
- q) Za podrobnosti, si oglejte gradivo, ki je bilo priloženo akumulatorju.**
- r) Če orodja ne uporabljate, iz njega odstranite akumulator.**
- s) Akumulatorje odlagajte skladno s predpisi.**

216

SHRANITE TA NAVODILA

V navodilih so razložene tehnike osnovnega čeljenja, obžaganja in križnega rezanja.

1. Podiranje dreves

Če istočasno prirezuje in podira več oseb hkrati, naj bo razmak med ljudmi, ki podirajo in med temi, ki prirezujejo, najmanj za dvojno višino drevesa, ki se podira. Pri podiranju dreves pazite na to, da osebe ne bodo izpostavljene nevarnosti, da se ne bodo poškodovale oskrbovalni vodi in da se ne bodo povzročile materialne škode. V primeru, da pride do stika drevesa z oskrbovalnim vodom, morate takoj obvestiti energetske podjetje. Pri opravljenem žaganju na strmini se mora uporabnik verižne žage na zemljišču nahajati nad drevesom, ki ga je potrebno podreti, saj se bo drevo najverjetneje kotalilo ali drselo po strmini navzdol.

Pot za umik naj poteka nazaj in diagonalno proč od pričakovane smeri padca drevesa, kot je prikazano na sliki 1.

Da bi lahko ocenili smer padanja drevesa, morate pred podiranjem upoštevati naravni nagib drevesa, položaj večjih vej in smer vetra.

Z drevesa odstranite umazanijo, kamne, sproščeno lubje, žebelje, sponke in žico.

2. Žaganje zarez

Najprej poševno zarezite v deblo, do približno 1/3 premera drevesa, pravokotno na smer, v kateri naj bi padlo drevo, kot je prikazano na sliki 1. Nato naredite

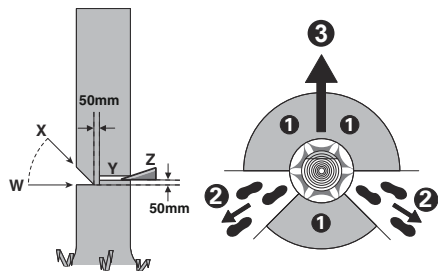
spodnji vodoravni rez (W). Tako boste preprečili stiskanje verige žage ali vodilne letve pri rezanju z druge strani (X).

3. Žaganje reza pri podiranju debela

Zarezite v deblo (Y), približno 50 mm višje, kot je vodoravni rez, kot je prikazano na sliki 1. Nato zarezite vzporedno z vodoravnim rezom, ki je na drugi strani. Rez za podiranje naj bo tako globok, da ostane še mostiček (letvica), ki lahko deluje kot tečaj. Ta mostiček prepreči, da se bo drevo zasukalo in padlo v napačno smer. Mostička ne prežagajte.

Pri približevanju reza za podiranje k mostičku naj bi drevo pričelo padati. Če se izkaže, da drevo morebiti ne bo padlo v zeleno smer ali se nagne nazaj in stisne verigo žage, prekinite z žaganjem reza za podiranje in vzemite kline iz lesa, umetne mase ali aluminija (Z) ter z njimi odprite rez in podrite drevo v zeleno smer padanja (3). Ko drevo prične padati, odstranite verižno žago iz reza, jo izklopite in jo odložite ter zapustite območje nevarnosti preko načrtovane poti za beg (2). Pazite na padajoče veje in na to, da se ne boste spotaknili. (Glejte sliko 1)

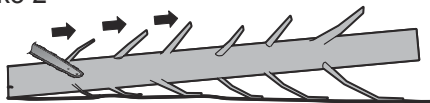
Slika 1



4. Klestenje

Obžaganje je odstranjevanje vej s podrtega drevesa. Pri obžaganju najprej izpustite veje, ki so obrnjene navzdol. Drobne veje odrežite z enim rezom, kot je prikazano na sliki 1. Veje, ki so pod napetostjo, morate žagati od spodaj navzgor, saj tako preprečite stiskanje verige žage.

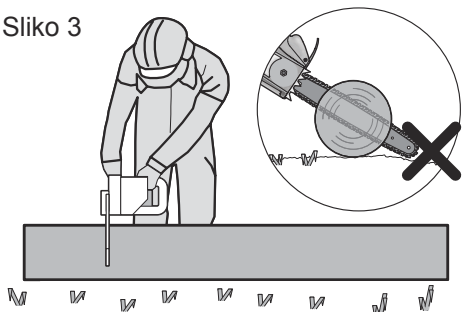
Slika 2



5. Dolžinska razdelitev

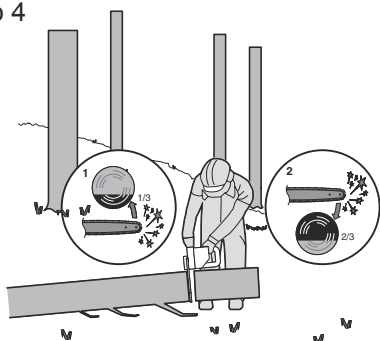
Dolžinska razdelitev pomeni razdelitev podrtega drevesa v segmente. Pazite na varno podlogo in enakomerno razdelitev svoje teže na obe nogi. Če je mogoče, naj bo deblo podloženo in podprto z vejami, tramovi ali klini. Upoštevajte navodila za pravilno uporabo verižne žage. Če je deblo podprto po celi dolžini, ga žagajte kot je prikazano na sliki 3, z vrhnje strani (od zgoraj), pazite, da se z verigo ne boste dotaknili tal, kajti zaradi tega slednja lahko hitro postane topa.

Slika 3



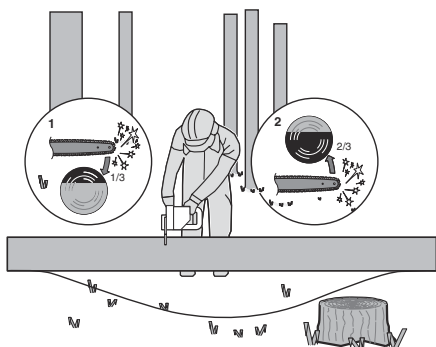
Če je deblu podprto na koncu, tako, kot je prikazano na sliki 4, potem ga najprej prežagajte do 1/3 premera s spodnje strani (spodnji rez) (1). Nato ga do konca prežagajte še z zgornje strani, pri čemer pazite (2), da se reza srečata.

Slika 4



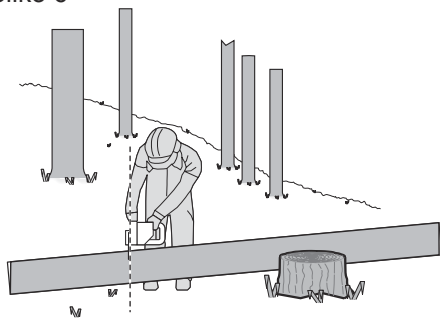
Če je deblu podprto na obeh koncih, kot je prikazano na sliki 5, najprej zarezite vanj do 1/3 premera z vrhne strani (od zgoraj) (1). Nato do konca prežagajte še spodnji 2/3 (2), od spodaj in poskrbite, da se bo rez ujel z zgornjim.

Slika 5



Pri žaganju na strmih terenih, vedno stojte na zgornji strani debla, kot je prikazano na sliki 6. Da boste lahko v trenutku „prežaganja“ zadržali popolni nadzor, morate proti koncu žaganja nekoliko manj pritiskati, brez da bi zmanjšali trdnost prijema na ročajih verižne žage. Pazite, da se veriga žage ne dotakne tal. Po končanju reza počakajte na to, da se veriga žage ustavi, preden odstranite verižno žago. Preden greste od drevesa do drevesa, morate vedno odklopiti motor verižne žage.












Slika 6



SIMBOLI

217

	Zaradi zmanjševanja nevarnosti poškodb, se temeljito seznanite z navodili za uporabo.
	Opozorilo
	Uporabljajte zaščito za ušesa
	Uporabljajte zaščito za oči
	Nosite zaščitno masko za prah
	Orodja ne izpostavljajte vlagi

	Nosite varovalno čelado
	Nosite zaščitne rokavice
	Nosite zaščitno obutev
	Opozorilo glede nevarnosti nadglavno nameščene električne napeljave.
	Odpadnih električnih orodij ne smete zavreči skupaj z ostalimi gospodinjstskimi odpadki. Dostavite jih na mesto za ločeno zbiranje odpadkov. Glede podrobnosti, se posvetujte z lokalno službo za ravnanje z odpadki.
 Li-Ion	Akumulatorjev ne zavržite skupaj z ostalimi odpadki, temveč jih dostavite na mesto za ločeno zbiranje odpadkov.
	
	Prepovedano sežiganje.
	Ne izpostavljajte dežju ali vodi.
	Poskrbite, da konica ne bo prihajala neposredno v stik z obdelovancem
	Stik s konico lahko povzroči, da se vodilna letev nenadoma pomakne navzgor in nazaj, kar lahko povzroči poškodbe uporabnika.



Verižno žago vedno držite z obema rokama.

xINR18/65-y: Cilindrične litijeve akumulatorske celice največjega premera 18 mm in dolžine 65 mm; "x" predstavlja število zaporedno vezanih celic, če je 1, potem je to mesto prazno; "-y" predstavlja število vzporedno vezanih celic, če je 1 je mesto prazno.


SESTAVNI DELI

1. ZADNJI ROČAJ
2. VKLOPNO/IZKLOPNO STIKALO
3. ZAPIRALO OLJNEGA REZERVOARJA
4. SPREDNJI ROČAJ
5. VAROVALO ROKE
6. LETEV
7. VERIGA
8. GUMB ZA NAPENJANJE VERIGE
9. POKROV VERIGE
10. AKUMULATOR *
11. GUMB ZA SPROSTITEV AKUMULATORJA*
12. VAROVALO ZADNJEGA ROČAJA
13. KREMLJASTI NASLON
14. OKENCE ZA PREVERJANJE NIVOJA OLJA
15. VARNOSTNO STIKALO
16. VERIŽNO KOLO
17. SIMBOL SMERI TEKA VERIGE
18. ODPRTINA ZA OLJE
19. OBJEMKA LETVE
20. LUKNJA ZA PRITRDITEV LETVE
21. OZNAKE ZA LETEV
22. POKROV ZA SHRANJEVANJE/TRANSPORT LETVE IN VERIGE* (TOK)
23. NAPENJALNA PLOŠČA LETVE (GLEJTE SLIKO A)
24. ROČAJ PODALJŠKA*
25. ZAKLEPNI MEHANIZEM*
26. OBJEMKA*
27. NOTRANJA PODALJŠEVALNA PALICA*
28. ZAKLEPNI MEHANIZEM*
29. SPOJNI ELEMENT PODALJŠKA*
30. GUMB ZA SPROSTITEV ROČAJA PODALJŠKA*
31. GUMB ZA VKLOP/IZKLOP NA ROČAJU PODALJŠKA*
32. RAMENSKI TRAK*

*Pri standardni dobavi niso vključeni vsi prikazani dodatki.

TEHNIČNI PODATKI

Vrsta izdelka **WG322E WG322E.9 WG323E WG323E.9 (3- zasnova naprave, predstavnik verižnih žag ter žag s podaljškom)**

	WG322E	WG322E.9	WG323E	WG323E.9
Napetost	20V  Max**			
Dolžina letve	25cm			
Hitrost verige	3.8m/s			
Polnilna količina oljnega rezervoarja	130ml			
Korak verige	3/8"			
Število členov	40			
Odmik vrha vodilnega zoba	0.043"			
Adaptivna veriga	ES: 3/8.043-40E/ QIRUI : A0(T)-40E/ OREGON: 90PX040G			
Adaptivna verižna letev	ES: ES104SDEA041/ QIRUI : PO10-43SR(T) / OREGON: 104MLEA041			
Čas polnjenja	5hrs			
Teža (skupaj z verigo in letvijo)	2.8kg	2.4kg	4.6kg	4.2kg


** Napetost je bila izmerjena brez obremenitve. Začetna napetost akumulatorja doseže maksimum 20 V. Običajna napetost je 18 V.

DODATKI

	WG322E	WG322E.9	WG323E	WG323E.9
Veriga	1	1	1	1
Letev	1	1	1	1
Transportni pokrov	1	1	1	1
Podaljševalni drog (WA0166)	/	/	1	1
Polnilec (WA3760)	1	/	1	/
Akumulator (WA3551)	1	/	1	/
Ramenski trak	/	/	1	1

Priporočamo vam, da dodatke vedno kupujete v isti trgovini, kot ste kupili strojček. Za podrobnosti si oglejte razlage na embalaži kompleta dodatkov. Pri odločanju o ustreznem dodatku, vam lahko pomaga tudi osebje v trgovini.

PODATKI O HRUPU

	WG322E WG322E.9	WG323E WG323E.9
Vrednotena raven zvočnega tlaka	$L_{pA} = 87.9 \text{ dB(A)}$	$L_{pA} = 85.7 \text{ dB(A)}$
Vrednotena raven zvočne moči	$L_{WA} = 96 \text{ dB(A)}$	$L_{WA} = 96 \text{ dB(A)}$
$K_{pA} = 3.0 \text{ dB(A)}$		
Wear ear protection 		

PODATKI O VIBRACIJAH

Skupne vrednosti oscilacij (vektorski seštevek treh smeri), skladno z EN 60745:

Vrednost emisije vibracij $a_{\text{H}} < 2.5 \text{ m/s}^2$	Nezanesljivost meritve $K = 1.5 \text{ m/s}^2$
---	---

Deklarirano vrednost emisije vibracij lahko uporabite za primerjavo med strojčki, hkrati pa s pomočjo nje predvidite pričakovano raven izpostavljenosti.

! **OPOZORILO:** Dejanska vrednost emisij vibracij med uporabo strojčka, se lahko razlikuje od navedene, kajti nanjo vpliva tudi način uporabe strojčka, predvsem naslednje okoliščine:
Način uporabe orodja in materiali, ki jih lahko obdelujete. Ali je orodje v dobrem stanju in ustrezno vzdrževano. Ali uporabljate ustrezni pripomoček za orodje in je ta oster ter v brezhibnem stanju.
Čvrstost oprijema ročajev in morebitna uporaba dodatkov za zmanjševanje vibracij.
Uporaba orodja za predviden namen, skladen s temi navodili.

Če orodja ne uporabljate pravilno, lahko povzroči vibracijski sindrom zapetja in rok.

! **OPOZORILO:** Če želimo resnično natančno oceniti raven izpostavljenosti v dejanskih okoliščinah, moramo upoštevati tudi vse faze delovnega procesa, tudi število vklopov in izklopov strojčka ter čas, ko deluje v prostem teku in neobremenjeno. To lahko znatno zmanjša raven izpostavljenosti tekom celotnega delovnega procesa.

Pomoč pri zmanjševanju tveganja pri izpostavljenosti vibracijam.
VEDNO uporabljajte le ostre pripomočke.
Orodje vzdržujte skladno s temi navodili in poskrbite, da bo dobro namazano (kjer je potrebno).
Če boste strojček uporabljali redno, potem investirajte v dodatke za zmanjševanje vibracij.
Delo si organizirajte tako, da boste opravila z visoko ravnju vibracij izvajali v več fazah, tekom nekaj dni.

NAMEN UPORABE

Verižna žaga je namenjena obžaganju dreves debel, vej, lesenih tramov, ograd itd. Lahko se uporablja za reze vzdolž in počez k smeri rasti. Električno orodje ni primerno za žaganje mineralnih materialov.

MONTAŽA

! **POZOR! Akumulatorja ne vstavljajte v ležišče dokler ni popolnoma sestavljen. Pri rokovanju z rezalno verigo morate vedno nositi zaščitne rokavice.**

MONTAŽA LETVE IN VERIGE ŽAGE

1. Previdno razpakirajte vse dele.
 2. Verižno žago postavite na trdno, ravno podlago.
 3. Uporabljajte le originalne verige WORX ali tiste, ki so priporočene za letev.
 4. Namestite verigo žage (7) v obtočni utor letve (6). Poskrbite, da bo veriga tekla v pravilni smeri - preverite oznako verige na vodilni letvi, oziroma simbol smeri teka verige (17), ki je na ohišju žage. Poskrbite, da bo napenjalna plošča (23) obrnjena navzven. (Glejte sliko A)
 5. Namestite verigo na pogonski verižnik (16), tako, da bosta vijak za pritrditev letve (20) in oznake za letev (21) na objemki letve (19) pritrdite v utor na vodilni letvi (6). (Glejte sliko B1, B2)
 6. Preverite, ali so vsi deli dobro nameščeni. Verigo namestite tako, da bodo vezi členov popolnoma sedli v verižnik (Glejte sliko C1), poskrbite, da se členi ne bodo zgibali, kot je prikazano na sliki C2. Če pride do zгиба verižnega člena, verigo nad njim odmaknite proč od vodilne letve, da se poravnata.
- OPOMBA:** Veriga se mora po letvi prosto premikati in se ne sme zgibati.
7. Namestite pokrov verige (9) ter ga čvrsto privijte z napenjalnim vijakom (8) proti desni. (Glejte sliko D)

! **POZOR: Veriga še ni napeta. Podrobnosti glede napenjanja verige, si oglejte v poglavju "Napenjanje verige". Preveriti morate, če je veriga pravilno napeta.**

NAPENJANJE VERIGE ŽAGE (Glejte sliko E1, E2)

OPOMBA: Nova veriga se malce raztegne. Redno preverjajte napetost nove verige (7) in slednjo napnite, če postane ohlapna na vodilni letvi (6).

! **POZOR:**

- Pred napenjanjem verige odstranite akumulator iz ležišča.
 - Rezalni robovi verige so ostri. Pri rokovanju z rezalno verigo morate vedno nositi zaščitne rokavice.
 - Stalno vzdržujte napetost verige. Če je veriga ohlapna, to lahko poveča tveganje za povratni udarec. Ohlapna veriga lahko celo izskoči iz žlebu na vodilni letvi. To lahko poškoduje uporabnika oziroma povzroči poškodbe verige. Ohlapna veriga povzroči tudi hitrejšo obrabljanje verige, letve in verižnika.
1. Odložite verižno žago na ravni površini.

2. Obrabite napenjalni vijak (8) v smeri urinega kazalca dokler gre.

OPOMBA: Napetost se samodejno poveča, če gumb za napenjanje verige (8) obrnete proti desni. Zobato kolesce preprečuje popuščanje napetosti verige.

3. Žago nagnite naprej (Glejte sliko E1) pri čemer bo konico vodilne letve (6) dvignilo navzgor. To bo odstranilo ohlapnost verige.

4. Do konca privijte gumb za napenjanje verige (8) proti desni.

5. Dvojno preverite napetost verige, ki se samodejno nastavi z obračanjem napenjalnega vijaka. Veriga (7) je pravilno napeta, ko jo približno na sredini vodilne letve (6) dvignete vodila členov iz žleba za polovico globine. To storite z roko, pri čemer pustite, da vodilno letev vleče navzdol teža naprave. (Glejte sliko E2)

OPOMBA: Veriga (7) je pravilno napeta, ko jo lahko dvignete iz vodilne letve (6), vodila členov pa še vedno ostanejo v vodilni letvi (6).

OPOMBA: Veriga (7) se s časom malce raztegne in izgubi pravilno napetost. V tem primeru do konca odvijte gumb za napenjanje verige (8) ali obrnite gumb tri polne obrate proti levi, nato ponovite korake od 1 do 4, da vzpostavite pravilno napetost.

SESTAVLJANJE RAZTEGLJIVEGA DROGA (le pri WG323E, WG323E.9)

Poravnajte in vstavite ročaj podaljška v gred. Obrnite zaklepni mehanizem desno, da se zaklene. (Glejte sliko F1, F2)

OPOMBA: Poskrbite, da bo ročaj trdno pritrjen na mesto.

VSTAVLJANJE PODALJŠKA V NAPRAVO (Glejte sliko G1)

Korak 1: Poravnajte in vstavite spojni element podaljška (29) v ohišje žage.

Korak 2: Obrnite zaklepni gumb (28) levo in pritrдите podaljšek na napravo.

OPOMBA: Pred uporabo preverite, če je podaljšek trdno vstavljen.

ODSTRANITEV PODALJŠKA IZ NAPRAVE (Glejte sliko G2)

Korak 1: Obrnite zaklepni gumb (28) desno, da se podaljšek sprostí in ga odstranite.

Korak 2: Žago pomaknite vzdolž podaljška ter slednjega izvelicite.



POZORI!

• Če uporabljate napravo z nameščenim podaljškom, poskrbite, da bo akumulator odstranjen.

Nastavljanje dolžine podaljška

Žaga s podaljškom ima teleskopski podaljšek, ki ga lahko raztegnete od 2 m (popolnoma skrčen) do 2.7 m (popolnoma raztegnjen).

Objemka (26) zadržuje podaljšek v položaju, tudi če je slednji do konca raztegnjen.

1. Podaljšek raztegnete tako, da sprostite objemko, slika H, ter ga sestavite skupaj.
2. Notranjo cev podaljška povlecite ven, do izbranega

položaja. Opomba: podaljšek raztegnite le toliko, da boste zlahka izvajali nameravano opravilo.

3. Podaljšek pritrдите v položaj tako, da privijete objemko kot je prikazano na sliki H.

MAZANJE



POMEMBNO: Verižna žaga pri dobavi ni napolnjena z oljem za verige.

Pomembno je, da jo pred uporabo napolnite z oljem. Verižne žage nikoli ne uporabljajte, če zmanjka olja za mazanje verige, kajti to lahko povzroči nepopravljive poškodbe.

OPOMBA: Življenjska doba rezalne moči verige žage je odvisna od optimalnega mazanja. Zaradi tega se veriga žage med obratovanjem avtomatsko maže.

TOČENJE OLJA:



POZOR: Pred točenjem olja, odstranite akumulator iz ležišča.

1. Postavite verižno žago na primerno podlago tako, da zapiralo oljnega rezervoarja kaže (3) v smeri navzgor.
2. S krpo očistite področje okoli zapirala oljnega rezervoarja in odvijte pokrov.
3. V rezervoar olja dotočite olje za mazanje verige in letve, do konca.
4. Poskrbite, da v rezervoar olja ne bodo zašle nečistoče, zapiralo oljnega rezervoarja (3) namestite nazaj in ga z roko privijte proti desni.



POMEMBNO: Da bi se omogočila izmenjava zraka med oljnim rezervoarjem in okolico, na zapiralo oljnega rezervoarja ni izravnalnih kanalov. Pazite, da boste verigo žage pri neuporabi vedno postavili vodoravno z zapiralom oljnega rezervoarja (3) navzgor, tako da preprečite izstopanje olja.

Zaradi preprečevanja poškodb verižne žage, uporabljajte le priporočeno olje (Grade: ISO VG32). Slednje boste običajno lahko kupili v trgovini, kjer ste kupili to verižno žago. Nikoli ne uporabljajte odpadnega/starega olja. Če boste uporabili olje, ki ni priporočeno, garancija na izdelek ne bo več veljala. Pazite, da ne zaužijete. Ob nenamernem zaužitju, takoj pokličite zdravnika. Hranite izven dosega otrok. Shranjujte proč od vira vročine ali odprtega ognja.

PREVERJANJE MEHANIZMA ZA SAMODEJNO MAZANJE


Delovanje avtomatskega mazanja verige lahko preverite tako, da vklopite žago (6) in jo držite s konico v smeri kartona ali papirja, ki leži na tleh. Če na kartonu ali na papirju opazite vedno večjo količino olja, potem samodejno mazanje brezhibno deluje. Če ne opazite sledi olja, rezervoar olja pa je poln, se za popravilo posvetujte z WORX-ovim servisierjem.



POZOR: Z verigo se nikoli ne dotikajte tal. Poskrbite, da boste vedno žagali vsaj 30 cm od tal.

DELOVANJE

1. PRED UPORABO BREZZIČNEGA ORODJA

 **OPOZORILO!** Polniliec in akumulator sta posebej zasnovana za skupno delovanje, zato ne poskušajte uporabljati nobenih drugih polnilcevniti akumulatorjev. V polniliec ali akumulator nikoli ne vstavljajte kovinskih predmetov, ker bi slednji lahko povzročili kratki stik ali druge okvare.

OPOMBA: Akumulator je ob dobavi NENAPOLNJEN, zato ga morate pred prvo uporabo do konca napolniti. Polniliec za akumulator je namenjen za polnjenje litijevih akumulatorjev, ki jih uporablja to orodje. Za polnjenje nikoli ne uporabljajte drugega polnilca.

2. POLNJENJE AKUMULATORJA


Litijevi akumulatorji so zaščiteni pred popolno izpraznitvijo. Ko se takšen akumulator zadosti izprazni, varnosti tokokrog orodja prepreči nadaljnje delovanje. V vročem okolju ali po visoki obremenitvi se akumulator lahko tako segreje, da prepreči polnjenje. Zato počakajte, da se akumulator ustrezno ohladi.

3. ODSTRANJEVANJE ALI NAMEŠČANJE AKUMULATORJA (Glejte sliko I1, I2, I3)

Pritisnite gumb za sprostitev akumulatorja in akumulator odstranite iz ležišča. Po končanem polnjenju, akumulator vstavite v ležišče. Pri tem lahko uporabite že majhno silo. Preverite, če je akumulator trdno nameščen.

OPOMBA: Pri odstranjevanju akumulatorja iz ležišča, slednjega trdno držite in pazite da vam ne pade ter vas poškoduje.


4. VKLOP IN IZKLOP (Glejte sliko J)

 **POZOR: Pred uporabo brezzičnega orodja, preverite stanje akumulatorja. Uporabljajte le akumulatorje, ki so navedeni v poglavju z dodatki.**

Za **vklop naprave**, pritisnite gumb za odklepanje (15), nato do konca pritisnite stikalo za vklop/izklop (2) ter ga zadržite v tem položaju. Gumb za odklepanje (3) tedaj lahko sprostite.

Za **izklop** električnega orodja vklopno/izklopno stikalo spustite.

5. ŽAGANJE

 **POMEMBNO: Ali je oljni rezervoar napolnjen? Pred zaganjanjem orodja, in redno, med uporabo, spremljanje okenca za preverjanje nivoja olja (14) (Glejte sliko K1). Če opazite, da olja manjka, ga dotočite. S polnim rezervoarjem olja, boste lahko žagali približno 12 minut, odvisno od intenzivnosti žaganja ter pogostosti zaustavljanja.**

Med uporabo, približno na 10 minut preverjajte napetost verige.

- 1) Akumulator vstavite v ležišče.
- 2) Prepričajte se, da obdelovanci, ki jih boste žagali, ne ležijo na tleh. Le tako boste preprečili, da bi se veriga (7) med žaganjem dotikala tal. Če se med žaganjem veriga dotakne tal, je to

nevarno, hkrati pa povzroči krhanje verige.

- 3) Verižno žago trdno držite z obema rokama. Z levo roko držite sprednji ročaj (4), z desno roko pa držite zadnji ročaj (1). Verižno žago držite trdno z obema rokama. S prsti morate ročaja trdno objemati (Glejte sliko K2).
- 4) Poskrbite, da boste stali na trdni podlagi. S stopali stojte v širini ramen. Težo enakomerno razporedite na obe stopali.
- 5) Ko boste pripravljeni za rezanje, z desnim palcem do konca pritisnite gumb za odklepanje (15) ter stisnite stikalo. To bo zagnalo premikanje verige. Ko boste sprostili stikalo, se bo veriga zaustavila. Pred začetkom žaganja, naj se veriga vrti s polno hitrostjo.
- 6) Žagati začnite tako, da počasi začnete pomikati vodilno letev proti obdelovancu. Žago morate s krempljastim naslonom postaviti tik ob obdelovaneec. Med žaganjem trdno držite za ročaja in poskrbite, da ne bo prihajalo do odskakovanja ali drsenja (stranskega premikanja) žage.
- 7) Na verižno žago med žaganjem blago pritisnite, vendar ne premočno, pustite, da žaga opravi svoje delo. V nasprotnem primeru se motor lahko preobremeni in pregori. Naprava zagotavlja najboljše rezultate, če jo uporabljate le za predviden namen.
- 8) Verižno žago odstranjujte iz obdelovanca le, če se veriga vrti s polno hitrostjo. Verižno žago ugasnete tako, da sprostite stikalo za vklop/izklop (2). Pred odlaganjem verižne žage počakajte, da se veriga zaustavi.
- 9) Dokler se podrobno ne boste seznanili z delovanjem žage in slednjo znali uporabljati čimbolj udobno, z gladkimi in obvladljivimi potezami, vadite na odpadnih deblih.

Varovanje pred povratnim udarcem

Ta verižna žaga ima verigo in vodilno letev z nizko ravno tveganja za povratne udarce. Oba ključna dela močno zmanjšujeta tovrstna tveganja. Vsekakor pa med žaganjem še vedno lahko pride do povratnega udarca. Naslednja dejanja lahko zmanjšajo nastanek povratnega udarca.

- Verižno žago trdno držite z obema rokama. Verižno žago držite trdno z obema rokama. S prsti morate ročaja trdno objemati.
- Na žagi morajo biti vedno nameščena vsa varovala. Poskrbite, da boste delo izvajali kot je predpisano.
- Z verižno žago nikoli ne žagajte na težko dosegljivih mestih, nikakor pa ne nad seboj.
- Med delom imejte vedno trden in stabilen položaj.
- Stojte malenkost levo od žage. To bo zagotovilo, da ne boste v neposredni liniji z rezalno verigo.
- Med premikanjem rezalne verige naj se konica letve ničesar ne dotika.
- Nikoli ne žagajte dveh obdelovancev hkrati. Naenkrat lahko žagate le eno deblo.
- Konice letve med delom ne vstavljajte v material (v smislu potopnega reza).
- Pazite, da napetosti v lesu ali druge sile ne bodo povzročale udarcev na rezalno verigo.
- Bodite še posebej previdni, če žago vstavljate v že delno narejeno špranjo.
- Uporabljajte verigo in vodilno letev (6) z nizko ravno

tveganja za povratne udarce, ki sta dobavljena skupaj z verižno žago.


- Nikoli ne uporabljajte orodja, ki ima topo ali slabo nameščeno rezalno verigo. Rezalna veriga mora biti vedno ostra in ustrezno napeta.

Varna uporaba verižne žage

1. Uporabljajte verižno žage le z varnim stojiščem.
2. Držite verižno žago rahlo desno od telesa (Glejte sliko L).
3. Verižna žaga (7) mora pred stikom z lesom obratovati s polno hitrostjo.
4. Preden zarežete v obdelovanec, kreppljasti naslon (13) trdno pritisnite obeni.
5. Pri žaganju uporabite kreppljasti naslon kot točko naslona vzvoda. (Glejte sliko M)
6. Verižne žage nikoli ne uporabljajte z iztegnjenimi rokami. Ne poskušajte žagati na težko dostopnih mestih ali tako, da stojite na lestvi (Glejte sliko N).

Nikoli ne žagajte nad višino ramen.

ŽAGANJE LESA POD NAPETOSTJO (GLEJTE SLIKO O)

 **POZOR: Kadar režete veje, ki so pod napetostjo, bodite še posebej previdni. Predvsem pazite na povratni udarec veje. Ko se napetost v veji sprosti, odžagani konec lahko udari nazaj in celo usodno poškoduje uporabnika.**

Kadar žagate veje, ki so podprte na obeh koncih, najprej zažagajte od zgoraj (Y) (od zgoraj) približno do 1/3 premera, nato pa dokončajte rez od spodaj (Z) in tako preprečite, da bi verižna žaga prišla v stik s tlemi. Če je veja podprta le na eni strani, žagajte najprej od spodaj (Y) (spodnji rez) eno tretjino premera navzgor in nato ločite deblo na istem mestu od zgoraj (Z). Na ta način preprečite razkol in zagozdenje verižne žage.


UPORABA ŽAGE S PODALJŠKOM (LE PRI WG323E, WG323E.9)

Rezanje z uporabo ramenskega pasu (glejte sliko Z5)

Podaljševalni drog ima priložen ramenski pas, ki vam pri dvigovanju čeljustne verižne žage zagotavlja dodatno oporo. Ramenski pas pritrđite na podaljševalni drog in ga namestite na ramo. Ramenski pas tudi ublaži napetosti po prežaganju veje.

Žaganje z nameščenim podaljškom

1. Akumulator vstavite v ležišče.
2. Pred žaganjem visokih vej, preučite napotke, ki so navedeni v poglavju "Obrezovanje vej", vendar upoštevajte tudi kam bo padla odžagana veja.


 **OPOZORILO: Nikoli ne stojte pod vejo, ki jo režete. Prisotni naj bodo varno oddaljeni. Pri žaganju nikoli ne stojte na lestvi ali drugi neustrezni podlagi. Naprave nikoli ne uporabljajte blizu električnih ali telefonskih kablov. Napravo uporabljajte najmanj 3 m od kablov. (Glejte sliko P2-P5)**

3. Verižno žago trdno držite z obema rokama. Žago z podaljškom med uporabo držite le za ročaj (Glejte sliko P6). Verižno žago držite trdno z obema rokama.

S prsti morate ročaja trdno objemati.

4. Poskrbite, da boste stali na trdni podlagi. S stopali stojte v širini ramen. Težo enakomerno razporedite na obe stopali.
5. Ko boste pripravljeni za rezanje, z desnim palcem do konca pritisnite gumb za odklepanje (30), nato do konca pritisnite stikalo za vklop/izklop (31) (Glejte sliko P7). To bo signalno premikanje verige. Ko boste sprostili stikalo, se bo veriga zaustavila. Pred začetkom žaganja, naj se veriga vrti s polno hitrostjo.
6. Žagati začnite tako, da počasi začnete pomikati verigo proti obdelovancu. Med žaganjem trdno držite za ročaja in poskrbite, da ne bo prihajalo do odskakanja ali drsenja (stranskega premikanja) žage.
7. Na verižno žago med žaganjem blago pritisnite, vendar ne premočno. V nasprotnem primeru se motor lahko preobremeni in pregori. Naprava zagotavlja najboljše rezultate, če jo uporabljate le za predviden namen.
8. Verižno žago odstranjujte iz obdelovanca le, če se veriga vrti s polno hitrostjo. Verižno žago ugasnete tako, da sprostite stikalo za vklop/izklop. Pred odlaganjem verižne žage počakajte, da se veriga zaustavi.

ŽAGANJE DREVES (OBREZOVANJE)


 **OPOZORILO: Preprečite povratni udarec. Povratni udarec lahko povzroči resne poškodbe ali smrt**

Za podrobnosti, glejte poglavje Povratni udarec.

OPOZORILO: Žage s podaljškom ne uporabljajte, če:

- ste na drevesu
- ste na lestvi ali stojite na drugi nestabilni podlagi
- ste v nestabilnem položaju

Pri tem lahko izgubite nadzor nad orodjem in utrpíte resne poškodbe.

 **OPOZORILO: Pri uporabi žage s podaljškom, ne segajte z rokami nad višino ramen.**

POZOR: Če ne obvladate okoliščin dela, se posvetujte s strokovnjakom.

Obrezovanje drevesa pomeni, da žagate veje na stoječemu drevesu. Poskrbite, da boste stali na trdni podlagi. S stopali stojte v širini ramen. Težo enakomerno razporedite na obe stopali.

Pri obrezovanju dreves sledite spodnjim navodilom.

1. Prvi rez naredite 15cm od debla, na spodnji strani veje. Rez naredite tako, da se veji približate z zgornjim delom verižne letve. Vejo zažagajte do 1/3 debeline (Glejte sliko P8).
2. Nato se pomaknite 5 do 10cm naprej po veji. Na tem mestu vejo zažagajte od zgoraj. Nadaljujte z žaganjem dokler veje ne prežagate do konca.
3. Naredite tretji rez čimbolj blizu debla, na spodnji strani veje. Rez naredite tako, da se veji približate z zgornjim delom verižne letve. Vejo prežagate do 1/3.
4. Naredite četrti rez neposredno nad tretjim. Nato zažagajte do tretjega reza. Tako boste vejo do konca odžagali.

VZDRŽEVANJE ŽAGE

Sledite navodilom v tem priročniku. Pravilno čiščenje in vzdrževanje rezalne verige ter letve lahko zmanjša nevarnost povratnega udarca. Po vsaki uporabi temeljito preverite brezhibnost žage. To bo zagotovilo daljšo dobo uporabnosti.

OPOMBA: Tudi če verigo brusite ko je predpisano, se nevarnost za povratni udarec povečuje z vsakim brusenjem.

VZDRŽEVANJE IN SHRANJEVANJE VERIŽNE ŽAGE

1. Akumulator odstranite iz ležišča vsakič, ko

- Žage ne uporabljate
- Pred premikanjem na drugo mesto
- Pred servisiranjem
- Pred menjavo priključkov ali dodatkov kot sta letev in rezalna veriga.

2. Verižno žago pred in po vsaki uporabi pregledjte. Verižno žago podrobno preverite, če se varovalo ali drug del poškoduje. Bodite pozorni na poškodbe, ki lahko povzročijo nevarnost za uporabnika.

Preverite poravnanoost in gladkost delovanja premikajočih se delov. Preverite glede počenih ali polomljenih delov. Če poškodbe vplivajo na varnost uporabe, potem verižne žage ne uporabljajte. Poškodbe naj odpravi pooblaščen servisier.

Najbližjega pooblaščenega servisierja lahko poiščete na www.worx.com

3. Verižno žago vzdržujte skrbno.

- Žage nikoli ne izpostavljajte dežju ali neposredni vlagi.
- Poskrbite, da bo rezalna veriga vedno ostra, čista in namazana.
- Podrobnosti glede ostrenja rezalne verige si oglejte v poglavju Ostrenje rezalne verige.
- Poskrbite, da bosta ročaja vedno suha, čista in brez ostankov olj ali masti.
- Poskrbite, da bodo matice in vijaki dobro privite(i).

4. Pri servisiranju uporabljajte le originalne nadomestne dele.

5. Kadar verižne žage ne uporabljate, jo shranite na ustrezno mesto.

- Ki je zadosti visoko ali zaklenjeno, da do njega ne morejo dostopati otroci.
- Suho.
- Z nameščeno vodilno letvijo ter pokrovom (9).

Vzdrževanje vodilne letve

Za zagotovitev maksimalne življenjske dobe vodilne letve, priporočamo, da jo vzdržujete na naslednji način. Žleb vodilne letve morate pred shranjevanjem orodja ali kadar se zamaže, temeljito očistiti.

Žleb vodilne letve morate očistiti tudi po vsakem odstranjevanju verige.

Čiščenje žlebu vodilne letve:

1. Očistite pokrov vodilne letve in verigo. (glejte razdelek SESTAVLANJE)

2. Z žičnato ščetko, izvijačem ali podobnim orodjem, očistite obloge iz žlebu vodilne letve. (Glejte sliko Q)
3. Poskrbite za čistočo kanala za dovajanje olja.

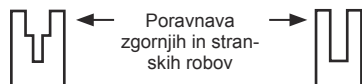
Pogoji, v katerih veriga (7) in vodilna letev (6) zahtevata vzdrževanje:

- Če žaga reže proti eni strani.
- Če morate žago s silo potiskati skozi obdelovanec.
- Če na verigo in vodilno letev ni zagotovljeno ustrezno dovajanje olja.

Stanje vodilne letve preverjajte po vsakem ostrenju verige. Obrabljena vodilna letev lahko poškoduje verigo in oteži žaganje.

Po vsaki uporabi, z odklopljenim virom napajanja, očistite nečistoče iz žleba in luknje verižnika.

Če je zgornji del deformiran, ga zgladite s ploščato pilo in poravnajte robove.



Obrabljeni žleb

Ustrezni žleb

Če je žleb obrabljen, ukrivljen ali razpokan, oziroma deformiran zaradi pregrevanja, ga zamenjajte z novim. Če je potrebna zamenjava uporabite le originalno nadomestno vodilno letev, ki je navedena na seznamu rezervnih delov.

Zamenjava verige žage in vodilne letve

Če opazite, da so rezalni zobje verige preveč obrabljeni za ostrenje ali se slednja pretрга, jo zamenjajte z novo. Uporabljajte le nadomestne rezalne verige, ki so navedene v tem priročniku.

Pred ostrenjem rezalne verige preverite stanje letve. Obrabljena ali poškodovana letev ni varna in bo povzročila poškodbe na rezalni verigi, hkrati pa bo žaganje oteženo.

Nato pritrđite zaskočnik (23) v novo vodilno letev, tako, da privijete vijak proti desni. Zaskočnik (a) mora segati skozi luknjo vodilne letve. (Glejte sliko R)

OSTRENJE REZALNE VERIGE

! OPOZORILO: Pred servisiranjem odstranite akumulator iz ležišča. V primeru stika z verigo, lahko pride do resnih poškodb ali smrti.

Rezalni robovi verige so ostri. Pri rokovanju z rezalno verigo imejte na rokah zaščitne rokavice.

Poskrbite, da bo rezalna veriga vedno ostra. Na ta način bo vaša žaga delala hitreje in bolj varno. Če je rezalna veriga topa, se bodo verižnik, letev rezalna veriga in motor hitreje obrabljali. Če začutite, da med žaganjem morate žago s silo potiskati v obdelovanec, pri žaganju pa nastaja droben prah z le nekaj večjimi ostružki, to pomeni, da je rezalna veriga topa.

MAZANJE KONČNEGA VERIŽNIKA

! OPOZORILO Pri izvajanju vzdrževanja ali servisiranja, nosite čvrste rokavice. Pred vsakim prilaganjem,

servisiranjem ali vzdrževanjem, odstranite akumulator iz orodja.

OPOMBA:

Če želite namazati os končnega verižnika, ne rabite

odstranjevali letve ali rezalne verig

1. Očistite letev in verižnik.
2. Nastavek mazalne pištole nastavite na odprtino za mazanje in vanjo stisnite toliko masti, da bo slednja začela izstopati na zunanjem robu osi končnega verižnika (Glejte sliko S)
3. Če želite obrniti verižnik, sprostite zaustavljajnik verige in slednjo povlecite z roko toliko, da se nenamazani del verižnika poravnava z mazalno luknjo. Ponovite postopek mazanja.

VAROVANJE OKOLJA



Odpadnih električnih orodij ne smete zavreči skupaj z ostalimi gospodinjstskimi odpadki.

Dostavite jih na mesto za ločeno zbiranje odpadkov. Glede podrobnosti, se posvetujte z lokalno službo za ravnanje z odpadki.

ODPRAVLJANJE NAPAK

Če električno orodje ne deluje povsem brezhibno, so v naslednji tabeli prikazani simptomi napak, možni vzroki ter ukrepi za odstranitev napake. Če problema kljub temu ne morete identificirati in odstraniti, se prosimo obrnite na vašo servisno delavnico. **Pozor: Pred iskanjem napake izklopite električno orodje in iz njega od stranite akumulatorsko baterijo.**

Simptom	Možen vzrok	Pomoč
Verižna žaga ne deluje.	Akumulator je izprazen. Pregorela varovalka.	Napolnite akumulator. Zamenjajte varovalko.
Verižna žaga deluje presihajoče.	Pregrevanje Premočno pritiskate na obdelovanec. Slaba povezava. Okvara napeljave. Vklonno/izklonno stikalo je poškodovano.	Napravo postavite v hladen, dobro prezračen prostor, da se ohladi. Malce manj močno pritiskajte na obdelovanec. Posvetujte se s serviserjem. Posvetujte se s serviserjem. Posvetujte se s serviserjem.
Žaga verige je suha.	V oljnem rezervoarju ni olja. Prezračevalna odprtina v zapiralu oljnega rezervoarja je zamašena. Izpustni kanal olja je zamašen.	Dolijte olje. Očistite zapiralo oljnega rezervoarja. Očistite izpustni kanal olja.
Vroča veriga žage/ vodilna timica.	V oljnem rezervoarju ni olja. Prezračevalna odprtina v zapiralu oljnega rezervoarja je zamašena. Izpustni kanal olja je zamašen. Veriga je preveč napeta. Topa veriga žage.	Dolijte olje. Očistite zapiralo oljnega rezervoarja. Očistite izpustni kanal olja. Nastavite napenjalni vijak. Pobrusite verigo žage ali jo nadomestite.
Veriga žage iztrguje, vibrira ali ne žaga pravilno	Prenizka napetost verige. Topa veriga žage. Obrabljena veriga žage. Zobje žage kažejo v napačno smer.	Nastavite napenjalni vijak. Pobrusite verigo žage ali jo nadomestite. Nadomestite verigo žage. Pravilno montirajte verigo žage.

IZJAVA O SKLADNOSTI

Mi,
Positec Germany GmbH
Grüner Weg 10, 50825 Cologne, Germany

Izjavljamo, da je izdelek,
Opis izdelka **Akumulatorska verižna žaga ter žaga s podaljškom**
Vrsta izdelka **WG322E WG322E.9 WG323E WG323E.9 (3 - zasnova naprave, predstavnik verižnih žag ter žag s podaljškom)**
Funkcija **Žaganje lesa**

Skladen z naslednjimi direktivami,
2006/42/EC
2014/30/EU
2011/65/EU
2000/14/EC spremenjena z 2005/88/EC

Pristojni priglasitveni organ
Ime: Intertek Deutschland GmbH (pristojni priglasitveni organ 0905)
Naslov: Stangenstraße 1, 70771 LEINFELDEN-ECHTERDINGEN
Št. certifikata: 17SHW1086-01 (WG322E WG322E.9) 17SHW1166-01 (WG323E WG323E.9)

WG322E WG322E.9

2000/14/EC spremenjena z 2005/88/EC:
- Postopek za ugotavljanje skladnosti, glede na **Dodatek V**
- Izmerjena raven zvočne moči **94.7 dB(A)**
- Deklarirana raven zvočne moči **96 dB(A)**

WG323E WG323E.9

2000/14/EC spremenjena z 2005/88/EC:
- Postopek za ugotavljanje skladnosti, glede na **Dodatek V**
- Izmerjena raven zvočne moči **95.2 dB(A)**
- Deklarirana raven zvočne moči **96 dB(A)**

In izpolnjuje naslednje standarde,
EN 60745-1
EN 60745-2-13
EN ISO 3744
EN 55014-1
EN 55014-2
Deli EN ISO11680-1

Oseba, ki je pooblaščenca za skladnost tehnične dokumentacije,
Ime: Marcel Filz
Naslov: Positec Germany GmbH, Grüner Weg 10, 50825 Cologne, Germany



2018/03/09
Allen Ding
Namestnik glavnega inženirja za testiranje in certificiranje
Positec Technology (China) Co., Ltd.
18, Dongwang Road, Suzhou Industrial Park, Jiangsu 215123, P. R. China

WORX
it's your nature

www.worx.com

Copyright © 2018, Positec. All Rights Reserved.
AR01306301